

Corrosion part 3 – measurement of polarization resistance

In the previous application note, the procedure for estimating corrosion rates was outlined. The calculations were valid under the assumption that the corrosion reactions were under charge transfer control and that the mechanisms of the reactions were known. In real life, often, corrosion is a result of

several reactions and it is not possible to determine a priori the reaction mechanism. In such cases, the polarization resistance can be used to determine the resistance of the metal under investigation against corrosion.

POLARIZATION RESISTANCE

An electrode is polarized when its potential is forced away from its value at open circuit or corrosion potential. Polarization of an electrode causes current

to flow due to electrochemical reactions at the electrode surface. The polarization resistance R_p is defined by the **Equation 1**:

$$R_p = \left(\frac{\Delta E}{\Delta i} \right)_{\Delta E \rightarrow 0} \quad 1$$

Where ΔE (V) is the variation of the applied potential around the corrosion potential and Δi (A) is the resulting polarization current.

The polarization resistance, R_p (Ω), behaves like a resistor and can be calculated by taking the inverse of the slope of the current potential curve at corrosion potential (OCP).

During the polarization of an electrode, the magnitude of the current is controlled by reaction kinetics and diffusion of reactants both towards and away from the electrode.

The Butler-Volmer relates the current i with the overpotential η , **Equation 2**:

$$i = i_{corr} \left(e^{\frac{2.303\eta}{b_a}} - e^{\frac{2.303\eta}{b_c}} \right) \quad 2$$

The overpotential $\eta(V) = E - E_{corr}$ is defined as the difference between applied potential E and the corrosion potential E_{corr} . The corrosion potential E_{corr} is the open circuit potential of a corroding metal. The corrosion current i_{corr} and the Tafel constants b_a and

b_c can be measured from the experimental data. For small overpotentials η , i.e. for potentials close to corrosion potential, the above equation can be reduced to:

$$i_{corr} = \frac{1}{R_p} \left[\frac{b_a b_c}{2.303(b_a + b_c)} \right] \quad 3$$

Or, when the expression is rearranged:

$$R_p = \frac{1}{2.303} \frac{b_a b_c}{b_a + b_c} \left(\frac{1}{i_{corr}} \right) \quad 4$$

If the Tafel slopes are known, the corrosion currents can be calculated from the polarization resistance using the above equations. If the Tafel slopes are not known (e.g., when corrosion mechanism is not known), R_p can still be used as a quantitative

parameter to compare the corrosion resistance of metals under various conditions. A specimen with low R_p will corrode more easily than a specimen with a high R_p .

MEASUREMENT OF R_p USING ELECTROCHEMICAL METHODS

Linear Sweep Voltammetry (LSV)

In **Figure 1**, the results of a LSV experiment performed on an iron screw immersed in seawater are shown.

The slope of the curve at $E_{corr} = -0.319$ V can be calculated by performing a linear regression tangent to the data from -10 mV vs. E_{corr} and +10 mV vs. E_{corr} .

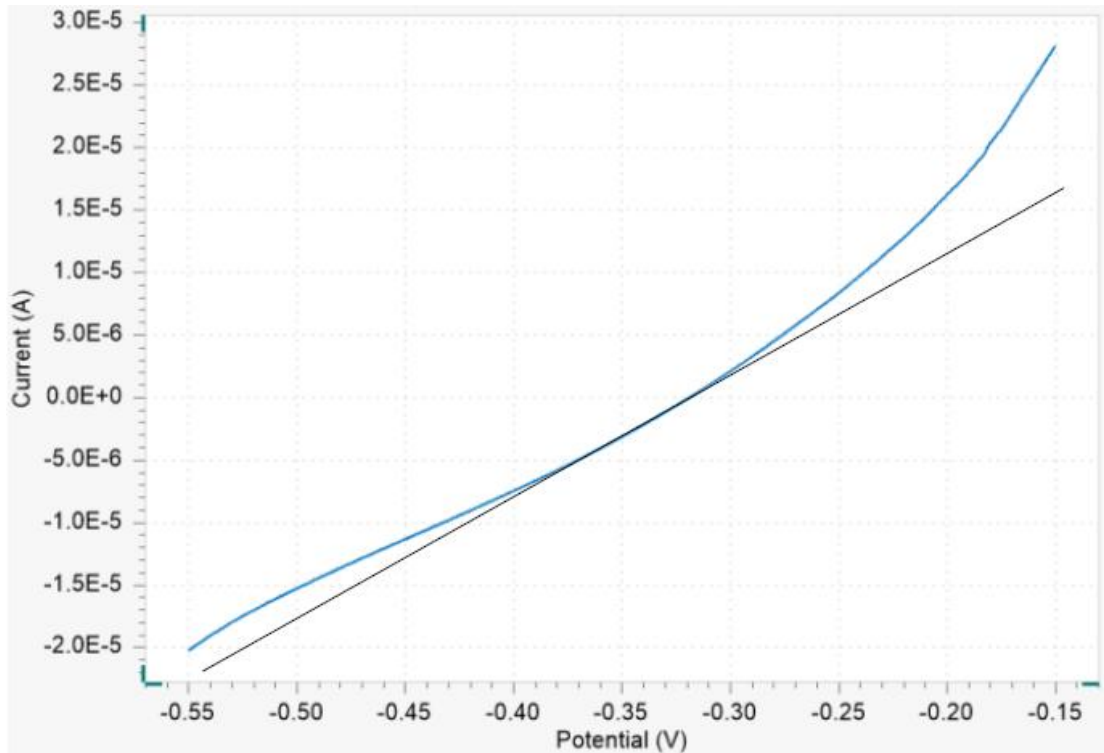


Figure 1. LSV data for the corrosion of an iron screw in seawater

The results of the regression are shown in Figure 2. The polarization resistance R_p is calculated from inverse of the slope ($1/\text{slope}$) and is found to be 9.489 k Ω .

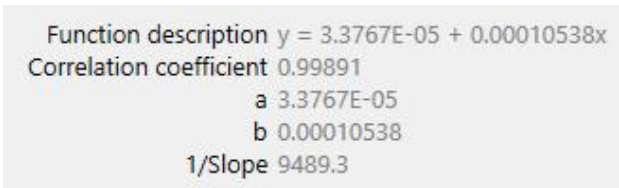


Figure 2. The calculated regression line equation for the corrosion of an iron screw in seawater

Electrochemical Impedance Spectroscopy

The polarization resistance can also be measured with electrochemical impedance spectroscopy (EIS). For simple systems where the Nyquist plot shows one semicircle, the equivalent circuit shown in Figure 3 can be used to estimate R_p .

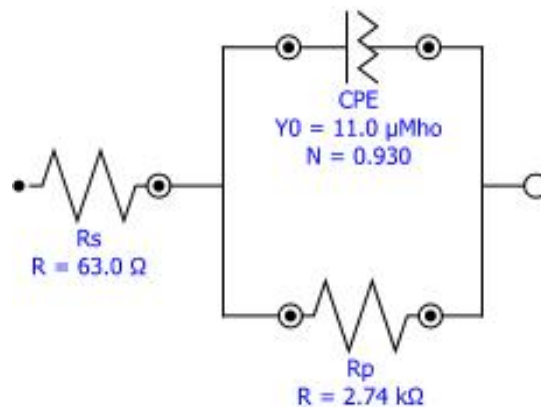


Figure 3. The equivalent circuit used to fit a semicircle in the Nyquist plot.

In Figure 4, the Nyquist plot resulting from the corrosion of iron in sulfate solution is shown. The solid

line represents the fit of the circuit shown to calculate the polarization resistance R_p .

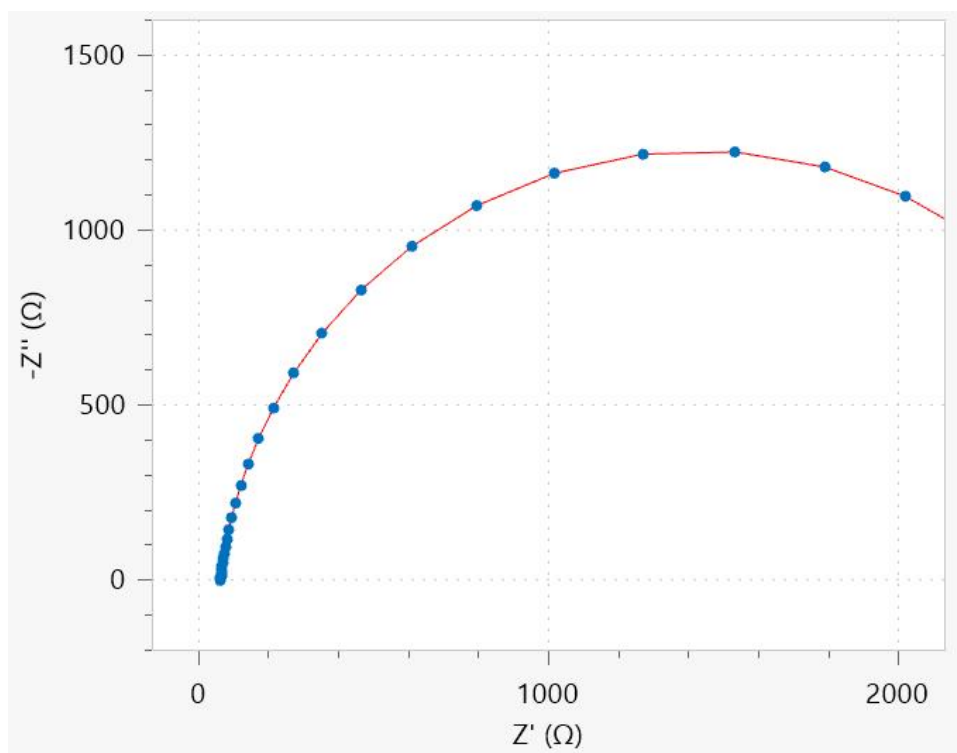


Figure 4. Estimation of R_p for corrosion of iron in seawater using EIS

CONTACT

Metrohm Vietnam
Phan Dinh Giot
70000 Herisau

info@metrohm.vn

CONFIGURATION



Autolab PGSTAT204

The PGSTAT204 combines the small footprint with a modular design. The instrument includes a base potentiostat/galvanostat with a compliance voltage of 20 V and a maximum current of 400 mA or 10 A in combination with the BOOSTER10A. The potentiostat can be expanded at any time with one additional module, for example the FRA32M electrochemical impedance spectroscopy (EIS) module.

The PGSTAT204 is an affordable instrument which can be located anywhere in the lab. Analog and digital inputs/outputs are available to control Autolab accessories and external devices are available. The PGSTAT204 includes a built-in analog integrator. In combination with the powerful NOVA software it can be used for most of the standard electrochemical techniques.



Autolab PGSTAT302N

This high end, high current potentiostat/galvanostat, with a compliance voltage of 30 V and a bandwidth of 1 MHz, combined with our FRA32M module, is specially designed for electrochemical impedance spectroscopy.

The PGSTAT302N is the successor of the popular PGSTAT30. The maximum current is 2 A, the current range can be extended to 20 A with the BOOSTER20A, the current resolution is 30 fA at a current range of 10 nA.



1 l corrosion cell

The Autolab 1 l corrosion cell is suitable for corrosion measurements according to ASTM standards. The cell has a thermostatic jacket for temperature control and a series of openings for counter electrodes, pH sensor, thermometer, Luggin-Haber capillary and gas purging.

The 1 l corrosion cell has been designed to measure the corrosion properties samples with a diameter ranging from 14.7 mm to 16 mm and a thickness from 0.5 mm up to 4 mm. The exposed surface is 1 cm² and the seals are made out of natural rubber.



0.250 L Corrosion Cell

Complete cell for corrosion measurements, 250 mL.



Corrosion cell

The Autolab 400 ml corrosion cell is suitable for corrosion measurements. The cell has a thermostatic jacket for temperature control and a series of openings for counter electrodes, pH sensor, thermometer, Luggin-Haber capillary and gas purging.

The 400 ml corrosion cell has been designed to measure the corrosion properties of 14 mm diameter and 1 mm thick flat circular samples immersed in an electrolyte. The exposed surface area is 0.785 cm². The holder is made of Delrin with a Viton seal.



Flat Sample Platform

Complete Flat sample platform for large, flat samples.

Keywords: Corrosion cell, linear polarization, Tafel, corrosion rate, flat samples, salt spray