

940 Professional IC Vario



940 Professional IC Vario ONE/SeS/PP/Prep 2

Manual – Short Instructions

8.940.8120EN / v5 / 2025-04-30



Metrohm AG
CH-9100 Herisau
Switzerland
+41 71 353 85 85
info@metrohm.com
www.metrohm.com

940 Professional IC Vario

940 Professional IC Vario ONE/SeS/PP/Prep 2

2.940.1520

Manual – Short Instructions

Technical Communication
Metrohm AG
CH-9100 Herisau

This documentation is protected by copyright. All rights reserved.

This documentation is an original document.

This documentation has been prepared with great care. However, errors can never be entirely ruled out. Please send comments regarding possible errors to the address above.

Disclaimer

Deficiencies arising from circumstances that are not the responsibility of Metrohm, such as improper storage or improper use, etc., are expressly excluded from the warranty. Unauthorized modifications to the product (e.g., conversions or attachments) exclude any liability on the part of the manufacturer for resulting damage and its consequences. Instructions and notes in the Metrohm product documentation must be strictly followed. Otherwise, Metrohm's liability is excluded.

Table of contents

1	About this quick start guide	1
2	Introduction	2
2.1	Instrument description	2
2.2	Accessories and additional information	4
2.3	Symbols and conventions	5
3	Safety	7
3.1	Intended use	7
3.2	Responsibility of the operator	7
3.3	Requirements for operating personnel	8
3.4	Safety instructions	8
3.4.1	General notes on safety	8
3.4.2	Electrical safety	8
3.4.3	Tubing and capillary connections	9
3.4.4	Flammable solvents and chemicals	10
3.4.5	Recycling and disposal	10
4	Overview of the instrument	11
4.1	Front	11
4.2	Rear	13
5	Installation	15
5.1	Setting up the instrument	15
5.1.1	Packaging	15
5.1.2	Checks	15
5.1.3	Location	15
5.2	Removing the handle	15
5.3	Removing transport locking screws	16
5.4	Connecting the drainage tubing and leak sensor	18
5.4.1	Installing the drainage tubing	18
5.4.2	Connecting the leak sensor	19
5.5	Column thermostat	20
5.6	Connecting the eluent bottle	20
5.7	Connecting the eluent degasser	23
5.8	Installing the high-pressure pump	23
5.9	Installing an inline filter	23



5.10	Installing the pulsation absorber	23
5.11	Injection valve	23
5.12	Metrohm Suppressor Module (MSM)	23
5.12.1	Inserting the rotors	24
5.12.2	Connecting the Metrohm Suppressor Module (MSM)	25
5.13	Peristaltic pump	28
5.13.1	Installing the peristaltic pump	28
5.14	Metrohm CO₂ Suppressor (MCS)	31
5.14.1	Connecting the MCS	31
5.14.2	Installing the CO ₂ Absorber	32
5.15	Installing the conductivity detector	33
5.16	Installing the amperometric detector	34
5.17	Connecting the sample degasser (optional)	34
5.18	Installing the 6-port valve	35
5.19	Connecting the instrument to a computer	36
5.20	Connecting the instrument to the power grid	37
5.21	Initial start-up	38
5.22	Connecting and rinsing the guard column	40
5.23	Connecting and rinsing the separation column	41
5.24	Conditioning	43
6	Operation	45
	Index	46



Table of figures

Figure 1	Front	11
Figure 2	Rear	13
Figure 3	Removing the transport locking screws	17
Figure 4	Installing the tubing weighting and aspiration filter	22
Figure 5	Metrohm Suppressor Module (MSM) – Connection capillaries	26
Figure 6	Connecting the MCS	31

1 About this quick start guide

This short instruction manual contains important chapters from the comprehensive manual. In addition to an introduction, safety instructions and an overview of the instrument, you will also find information about installing and operating the 940 Professional IC Vario ONE/SeS/PP/Prep 2 as well as information regarding the warranty. The comprehensive manual can be downloaded as a PDF file from the Internet.

Downloading the manual

You can find the detailed manual on the Internet under <http://www.metrohm.com/>:

1. Enter the order number for your instrument as the search term (e.g. **2.940.1520**).
2. Click on **Documents**.
All available documents for the instrument will be displayed.
3. Click on the PDF link to download the desired manual.

Leak sensor

The leak sensor detects leaking liquid that collects in the instrument's base tray. Liquid that leaks in the instrument is routed to the base tray using drainage tubing and detected there.

Column thermostat

The column thermostat regulates the temperature for the separation columns and the eluent, thereby providing stable measuring conditions. The interior of the column thermostat can be heated and cooled. There are two column holders with chip readers in the column thermostat.

Eluent degasser

The eluent degasser removes gas bubbles and dissolved gases from the eluent.

High-pressure pump

The intelligent and low-pulsation high-pressure pump pumps the eluent through the IC system. It is equipped with a chip where its technical specifications and "life history" (operating hours, service data, etc.) are stored.

Inline filter

Inline filters protect the separation column reliably from potential contamination from the eluent. The filter pads with 2 µm pore size can be replaced quickly and easily. They remove particles from the solutions, such as bacteria and algae.

Pulsation absorber

The pulsation absorber protects the separation column from damage caused by pressure fluctuations, e.g. when the injection valve is switched, and reduces interfering pulsations during highly sensitive measurements.

Injection valve

The injection valve connects the eluent path to the sample path. By a quick and precise switching of the valve, a quantity of sample solution defined by the size of the sample loop is injected and flushed to the separation column with the eluent.

Metrohm Suppressor Module (MSM)

The chemical suppressor MSM consists of the suppressor drive, a rotor and, where applicable, an adapter. The suppressor drive gives you the flexibility to use different rotors according to the principle "one drive – many rotors". Suppression rotors with different capacities and construction or a rotor for sample preparation (SPM Rotor) are readily interchangeable with appropriate adapters as needed. The rotors are not included in the



instrument's scope of delivery. The rotor required for the application and any adapter that is required must be ordered separately.

Peristaltic pump

The peristaltic pump is used for pumping sample and auxiliary solutions. It can rotate in both directions.

Metrohm CO₂ Suppressor (MCS)

The Metrohm CO₂ Suppressor (MCS) removes the CO₂ from the eluent stream. This lowers the background conductivity, improves detection sensitivity, and minimizes the injection peak and the system peak.

Detector

Metrohm offers a series of different detectors for various analysis tasks. A suitable detector type must be ordered as a separate device.

Sample degasser

The sample degasser removes gas bubbles and dissolved gases from the sample.

6-port valve

The 6-port valve mimics the injection valve in its design. It is used during sample preparation. The 6-port valve serves as a switch-over point between two different liquids, such as switching between sample and auxiliary solution during Inline Matrix Elimination.

Separation column

The intelligent separation column separates different components according to their interactions with the column. Metrohm separation columns are equipped with a chip where their technical specifications and history (start-up, operating hours, injections etc) are stored.

2.2 Accessories and additional information

Additional information is available on the Metrohm website (<https://www.metrohm.com>):

- Product family
- Product versions
- Accessories
- Documents about the product

Downloading the accessories list








NOTE

The accessories list is a part of the product documentation. Download the accessories list and store it as a reference.

1. Use the search function to search for the product.
2. Open the desired product version.
3. Download the accessories list.

2.3 Symbols and conventions

The following symbols and formatting may appear in this documentation:

(5-12)	Cross-reference to figure legend The first number refers to the figure number, the second to the instrument part in the figure.
1	Instruction step Perform the steps one after the other.
Method	Dialog text, parameter in the software
File ► New	Menu or menu item
[Continue]	Button or key
	WARNING This symbol draws attention to a possible life-threatening hazard or risk of injury.
	WARNING This symbol draws attention to a possible hazard due to electrical current.
	WARNING This symbol draws attention to a possible hazard due to heat or hot instrument parts.
	WARNING This symbol draws attention to a possible biological hazard.
	WARNING Warning of optical radiation



CAUTION

This symbol draws attention to possible damage to instruments or instrument parts.



NOTICE

This symbol highlights additional information and tips.

3 Safety

3.1 Intended use



NOTE

The instrument is exclusively for indoor use.

The 940 Professional IC Vario ONE/SeS/PP/Prep 2 is used for the determination of anions, cations or polar substances with sequential suppression using ion chromatography.

Sequential suppression consists of:

- Chemical suppression with a Metrohm Suppressor Module (MSM) and subsequent
- CO₂ suppression with the Metrohm CO₂ Suppressor (MCS).

Background conductivity is reduced to a minimum with sequential suppression.

It can also be used as needed for the determination of cations, polar substances or anions without chemical suppression.

This device is suitable for processing chemicals and flammable samples. Usage of the 940 Professional IC Vario therefore requires the user to have basic knowledge and experience in handling toxic and caustic substances. Knowledge regarding the application of fire prevention measures prescribed for laboratories is also mandatory.

3.2 Responsibility of the operator

The operator must ensure that basic regulations on occupational safety and accident prevention in chemical laboratories are observed. The operator has the following responsibilities:

- Instruct personnel in the safe handling of the product.
- Train personnel in the use of the product according to the user documentation (e.g. install, operate, clean, eliminate faults).
- Train staff on basic occupational safety and accident prevention regulations.
- Provide personal protective equipment (e.g. protective glasses, gloves).
- Provide suitable tools and equipment to carry out the work safely.



WARNING

Never open the housing of the instrument. The instrument could be damaged by this. There is also a risk of serious injury if live components are touched.

There are no parts inside the housing which can be serviced or replaced by the user.

Supply voltage



WARNING

An incorrect supply voltage can damage the instrument.

Only operate this instrument with a supply voltage specified for it (see rear panel of the instrument).

Protection against electrostatic charges



WARNING

Electronic components are sensitive to electrostatic charges and can be destroyed by discharges.

Do not fail to pull the power cord out of the power socket before you set up or disconnect electrical plug connections at the rear of the instrument.

The device is to be operated only with the door closed.

3.4.3 Tubing and capillary connections



CAUTION

Leaks in tubing and capillary connections are a safety risk. Tighten all connections well by hand. Avoid applying excessive force to tubing connections. Damaged tubing ends lead to leakage. Appropriate tools can be used to loosen connections.

Check the connections regularly for leakage. If the instrument is used mainly in unattended operation, then weekly inspections are mandatory.



3.4.4 Flammable solvents and chemicals

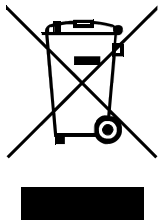


WARNING

All relevant safety measures are to be observed when working with flammable solvents and chemicals.

- Set up the instrument in a well-ventilated location (e.g. fume cupboard).
- Keep all sources of flame far from the workplace.
- Clean up spilled liquids and solids immediately.
- Follow the safety instructions of the chemical manufacturer.

3.4.5 Recycling and disposal



Properly dispose of chemicals and of the product to reduce negative effects on the environment and public health. Local authorities, waste disposal companies or dealers provide more detailed information on disposal. Observe the WEEE EU directive (WEEE = Waste Electrical and Electronic Equipment) for the proper disposal of waste electronic equipment within the European Union.

4 Overview of the instrument

4.1 Front

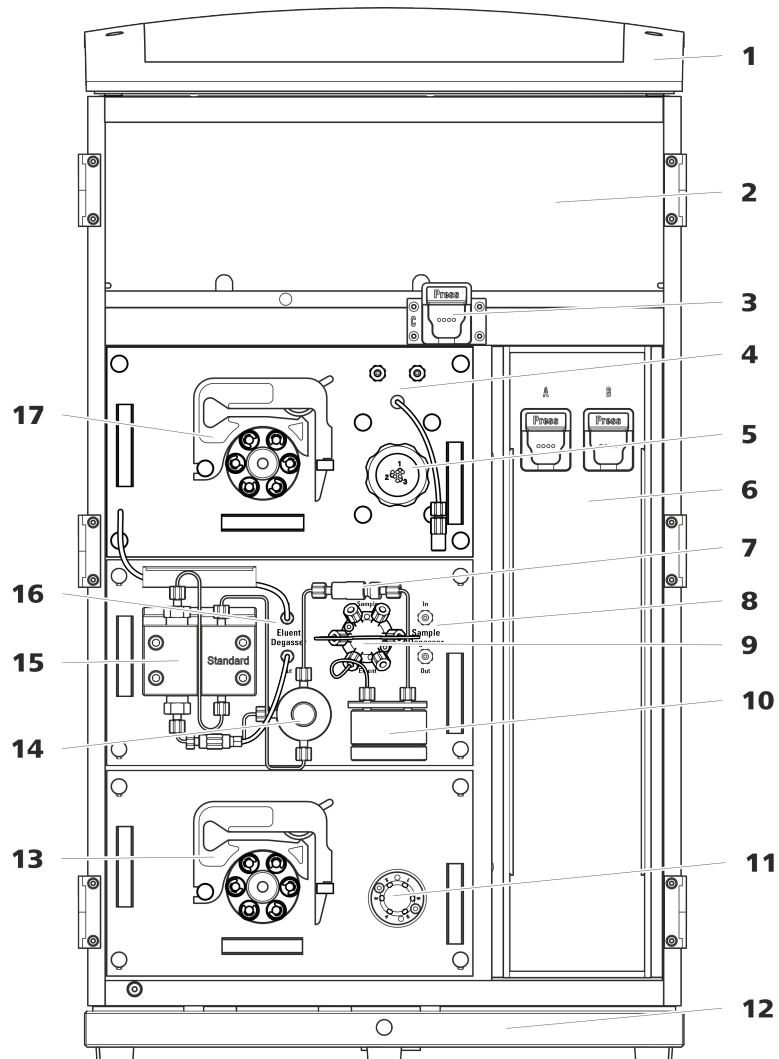


Figure 1 Front

1 Bottle holder

Offers space for the eluent bottle(s) and additional accessories.

2 Detector chamber

Offers space for two embedded detectors and additional accessories.

3 Column holder

For a third separation column outside the column thermostat.

4 Metrohm CO₂ Suppressor (MCS)



5	Metrohm Suppressor Module (MSM)	6	Column thermostat With two column holders for two separation columns.
7	Inline filter	8	Sample degasser
9	Injection valve	10	Pulsation absorber
11	Switching valve For the sample preparation.	12	Base tray With leak sensor.
13	Peristaltic pump For transporting solutions for sample preparation.	14	Purge valve For purging the high-pressure pump.
15	High-pressure pump	16	Eluent degasser
17	Peristaltic pump		

4.2 Rear



Figure 2 Rear

1 Bottle holder

Offers space for the eluent bottle(s) and additional accessories.

3 Drainage tubing connection

For connecting the drainage tubing, which guides escaped liquids away from the detector chamber.

2 Back panel

Removable. Enables access to the detector chamber.

4 Transport locking screws

For securing the vacuum pump(s) when transporting the instrument. Up to two vacuum pumps can be installed in an instrument. Only two transport locking screws are used if just one vacuum pump is installed.

**5 Vacuum connection**

For connecting an Extension Module that has a degasser but not its own vacuum pump. This connection has to be firmly sealed with a stopper when not in use.

7 PC connection socket

For connecting the instrument to the computer with the USB cable (6.2151.020).

9 Transport locking screws

For securing the high-pressure pump (in the middle plug-in) when transporting the instrument.

11 Transport locking screws

For securing the high-pressure pump (in the bottom plug-in) when transporting the instrument. These screws are only installed if a plug-in with a high-pressure pump is used in the bottom slot.

13 Leak sensor connection socket

Labeled *Leak Sensor*. For connecting the leak sensor connection cable coiled up in the base tray.

15 Cooler

For cooling the power supply unit. May become hot!

17 Knurled screws

For fastening the removable back panel.

6 Exhaust opening

Labeled *Exhaust*. For extracting the air from the vacuum chamber.

8 USB connection sockets

Labeled *USB 1* and *USB 2*. For connecting USB devices.

10 Extension Module connection socket

Labeled *Extension Module*. For connecting the cable (6.2156.060) used for connecting the instrument to the Extension Module.

12 Base tray

With leak sensor and leak sensor cable.

14 MSB connection sockets

Labeled *MSB 1* and *MSB 2*. For connecting MSB devices.

16 Power socket

Power socket for connecting the power cable and power switch for switching the instrument on and off.

5 Installation

5.1 Setting up the instrument

5.1.1 Packaging

The instrument is supplied in protective packaging together with the separately packed accessories. Keep this packaging, as only this ensures safe transportation of the instrument.

5.1.2 Checks

Immediately after receipt, check whether the shipment has arrived complete and without damage by comparing it with the delivery note.

5.1.3 Location

The instrument has been developed for operation indoors and may not be used in explosive environments.

Place the instrument in a location of the laboratory which is suitable for operation and free of vibrations and which provides protection against corrosive atmosphere and contamination by chemicals.

The instrument should be protected against excessive temperature fluctuations and direct sunlight.

5.2 Removing the handle

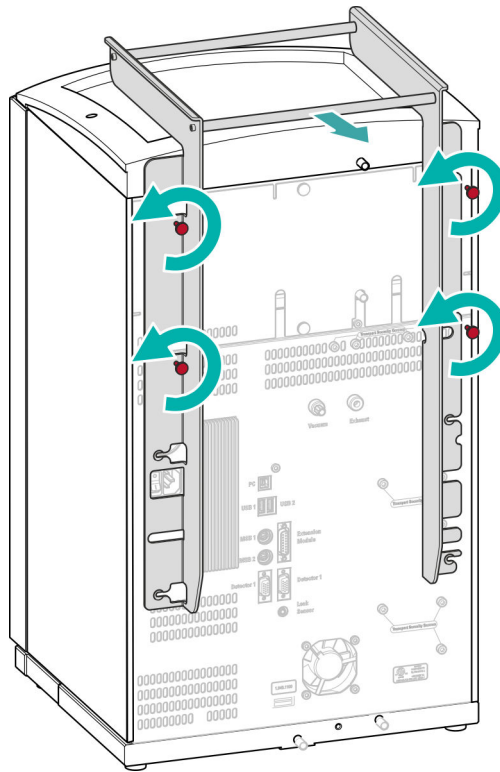
The instrument is equipped with a handle in order to make it easier to transport. The handle can be removed once the instrument is in place in the lab.

Accessories

You do not need any accessories for the following work steps.



Removing the handle



5.3 Removing transport locking screws

To avoid damage to the drives for the high-pressure pump and the vacuum pump during transport, the pumps are secured with transport locking screws. These are located at the rear of the instrument and labeled with **Transport security screws**.

Remove these transport locking screws before the initial start-up.

Accessories

For this step you need:

- 4 mm hex key (6.2621.030)

Removing the transport locking screws

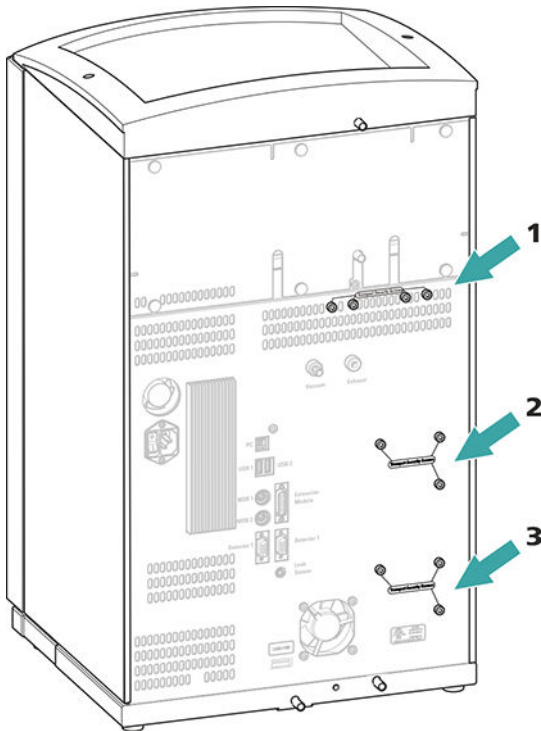



Figure 3 Removing the transport locking screws

1 Transport locking screws
For the vacuum pump.

2 Transport locking screws
For the high-pressure pump.

3 Transport locking screws
For an additional high-pressure pump in the bottom drawer.

Store the transport locking screws in a safe place. Reinsert the transport locking screws each time you transport the instrument a significant distance.

 **CAUTION**

The pumps may be damaged if you transport the instrument without inserting the transport locking screws.



5.4 Connecting the drainage tubing and leak sensor

The leak sensor detects leaking liquid that collects in the instrument's base tray. Liquid that leaks in the bottle holder or in the detector chamber is conveyed to the base tray using drainage tubing and is detected there.

If the leak sensor detects a leak in the IC system, the IC instrument is switched off. The software displays a warning.

The leak sensor functions properly only if the following preconditions are met:

- The drainage tubing is connected.
- The leak sensor connection cable is inserted into the leak sensor connection socket.
- The 940 Professional IC Vario is switched on.
- The leak sensor is switched to **active** in the software.

5.4.1 Installing the drainage tubing

Liquid that leaks in the bottle holder or detector chamber flows to the rear of the instrument. Openings on the bottle holder and in the detector chamber allow the liquid to drain. The drainage tubing has to be mounted at these openings. This drainage tubing guides the leaking liquid to the base tray where the leak sensor is located.

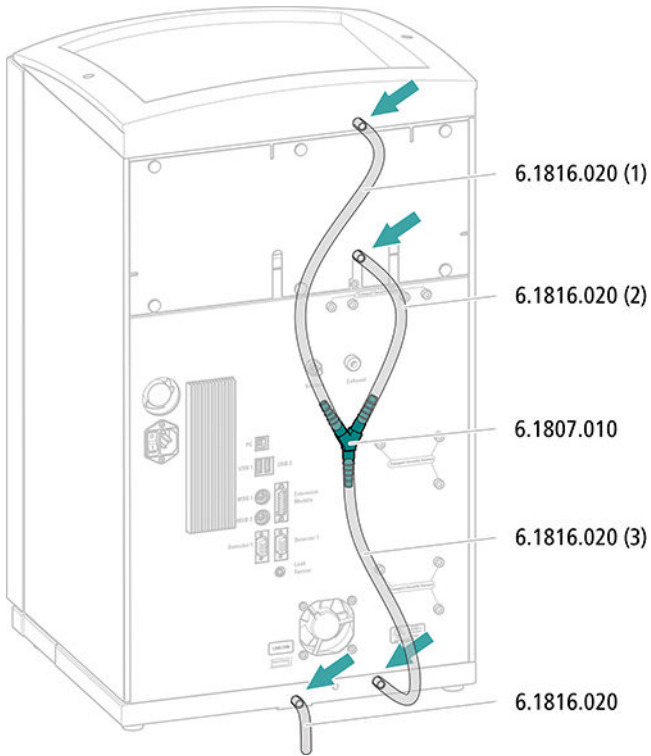
Accessories

For this step you need the following parts from the accessory kit: Vario/Flex Basic (6.5000.000):

- 2 × silicone tubing (6.1816.020)
- Y connector (6.1807.010)

You also need scissors.

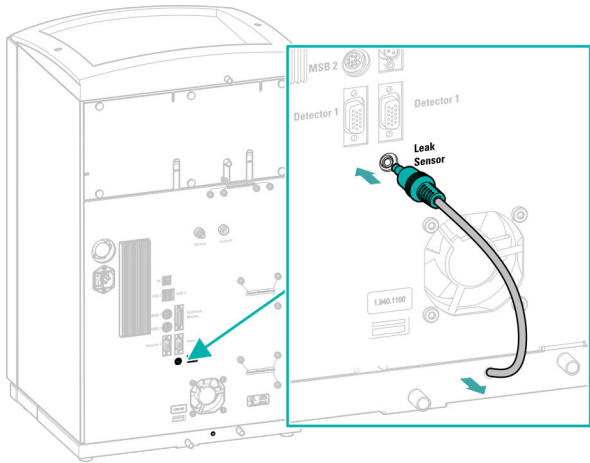
Connecting the drainage tubing



5.4.2 Connecting the leak sensor

Plugging in the leak sensor connection cable

The leak sensor connection cable is coiled up in the base tray.





5.5 Column thermostat

The column thermostat is completely connected. No installation work is required.

5.6 Connecting the eluent bottle

The eluent is aspirated out of the eluent bottle via the eluent aspiration tubing. The eluent aspiration tubing is installed on the entry to the eluent degasser.

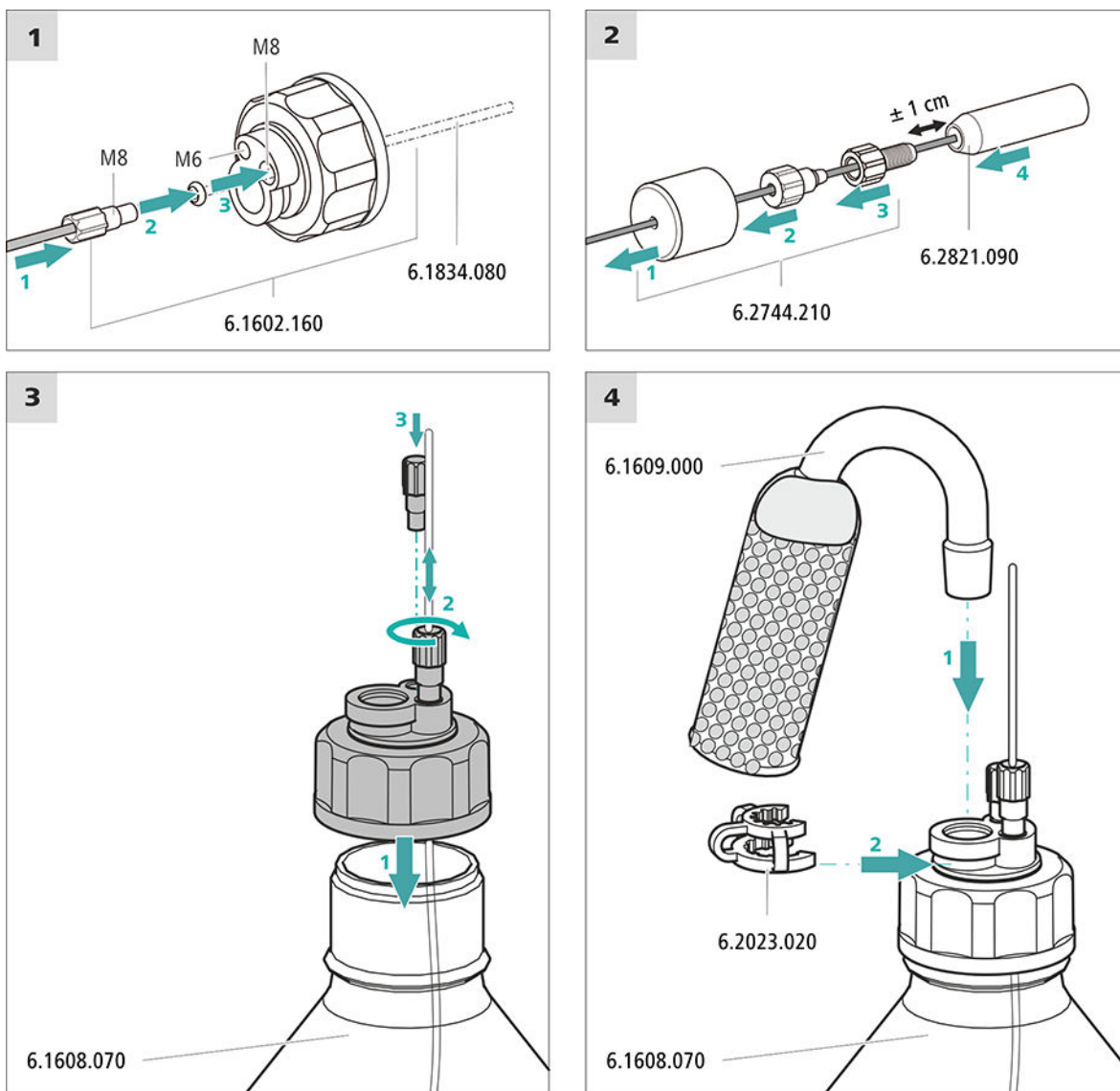
Accessories

For this step, you need the following accessories:

These parts are part of the *Vario/Flex ONE* accessory kit (6.5000.010).

- Eluent bottle (6.1608.070)
- The *eluent bottle cap GL 45* accessory set (6.1602.160)
This accessory set contains the bottle cap, an M6 tubing nipple, an M8 tubing nipple, two O-rings and an M6 and M8 threaded stopper.
- The *tubing adapter for aspiration filter* accessory set (6.2744.210)
This accessory set contains a filter holder, a clamping screw and tubing weighting.
- An aspiration filter (6.2821.090)
- The adsorber tube (6.1609.000)
- The SGJ clip (6.2023.020)

Connecting the eluent aspiration tubing



1 Pre-rinsing the aspiration filter



NOTE

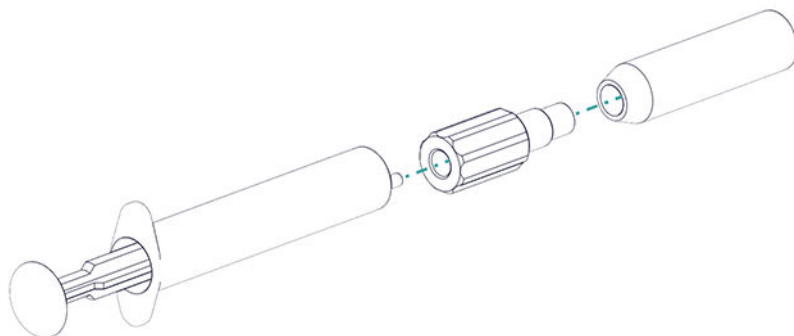
Always wear gloves when handling the aspiration filter.

In order to avoid air bubbles after the installation of the aspiration filter, we recommend pre-rinsing the aspiration filter with ultrapure water or eluent.



For pre-rinsing, you will need the adapter Luer inner, M6 outer (6.02744.050), a syringe and a vessel with ultrapure water or eluent.

- Screw the adapter to the aspiration filter.
- Insert the syringe into the adapter.



- Immerse the aspiration filter tin a vessel with ultrapure water or eluent.
- Fill the syringe completely with ultrapure water or eluent 3 times and then empty it again each time.

2 Mounting the aspiration filter



NOTE

Always wear gloves when handling the aspiration filter.

- Place the loose end of the eluent aspiration tubing into the aspiration filter.
The end of the tubing should reach approximately to the center of the aspiration filter.
- Tighten the aspiration filter to the filter holder.

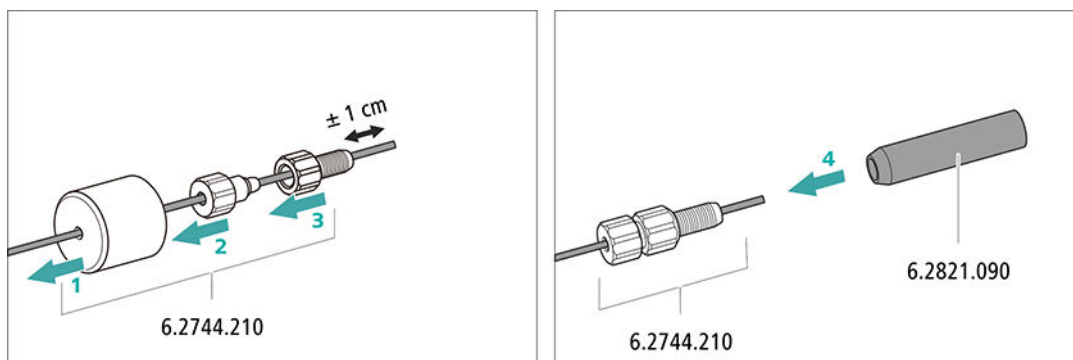


Figure 4 Installing the tubing weighting and aspiration filter

5.7 Connecting the eluent degasser

The eluent degasser is completely connected. No installation work is required.

5.8 Installing the high-pressure pump

The high-pressure pump is completely connected. No installation work is required.

5.9 Installing an inline filter

The inline filter is completely connected. No installation work is required.

5.10 Installing the pulsation absorber

The pulsation absorber is installed between the high-pressure pump and the injection valve. It protects the separation column from damage caused by pressure fluctuations, e.g. when the injection valve is switched, and reduces interfering pulsations during highly sensitive measurements.

The pulsation absorber is completely connected. No installation work is required.

5.11 Injection valve

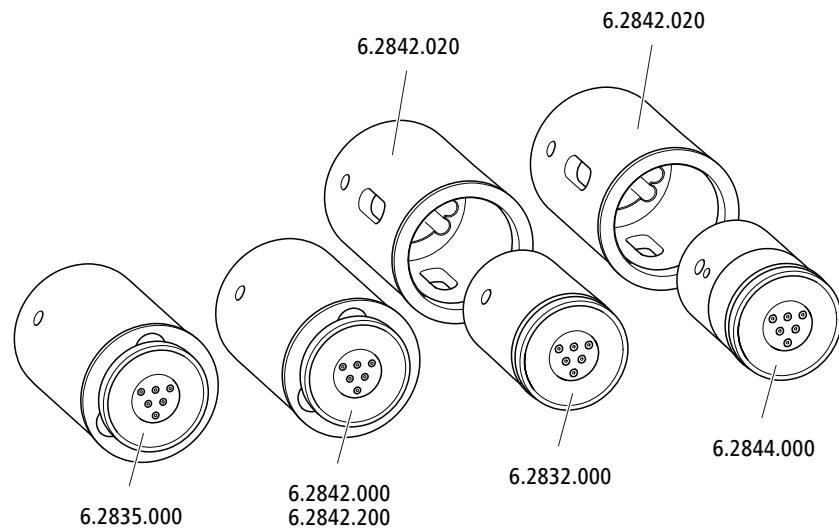
The injection valve is completely connected. No installation work is required.

5.12 Metrohm Suppressor Module (MSM)

The suppressor drive of the 940 Professional IC Vario can hold various rotors. The large rotors, such as the SPM Rotor A (6.2835.000), the MSM-HC Rotor A (6.2842.000) and the MSM-HC Rotor C (6.2842.200) can be inserted directly.

The small rotors, such as the MSM Rotor A (6.2832.000) and the MSM-LC Rotor A (6.2844.000), must first be fitted into the adapter (6.2842.020), which can then be inserted into the suppressor housing.

A connecting piece (6.2835.010) is used for all rotors for connecting the Metrohm Suppressor Module (MSM) to the IC system.

**NOTE**

The instruments are supplied without rotor and without adapter.
The suitable rotor and the adapter, if required, must be ordered separately.

5.12.1 Inserting the rotors*Accessories*

For this step, you need the following accessories:

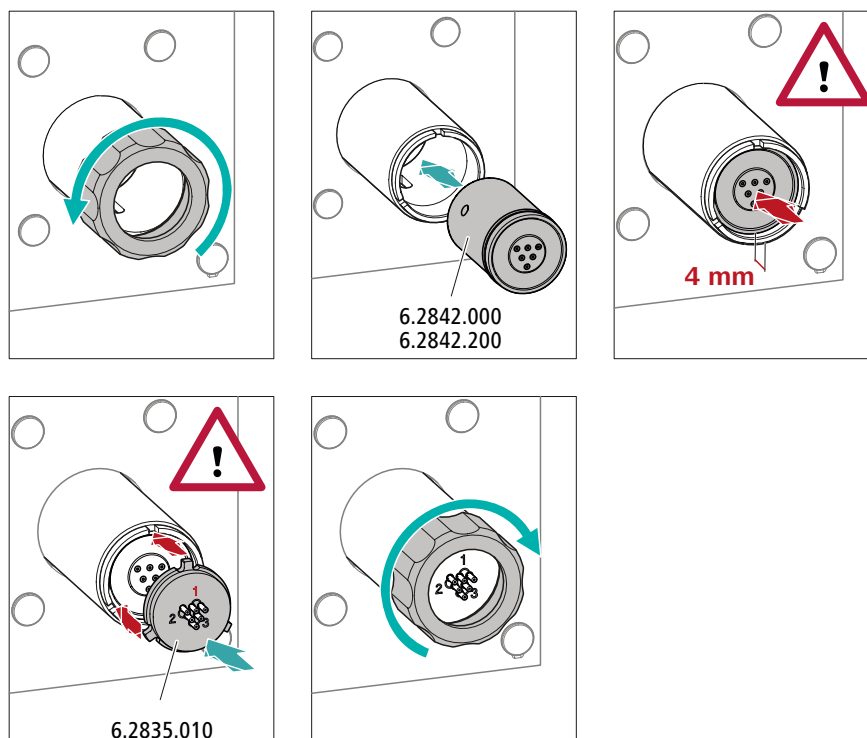
- For suppression: MSM Rotor A (6.2832.000) or MSM-HC Rotor A (6.2842.000), MSM-LC Rotor A (6.2844.000) or MSM-HC Rotor C (6.2842.200) or MSM-HC Rotor C (6.2842.200)
- Optional: Adapter (6.2842.020)
- Connecting piece (6.2835.010)

Large rotors can be inserted directly into the rotor housing.

**CAUTION**

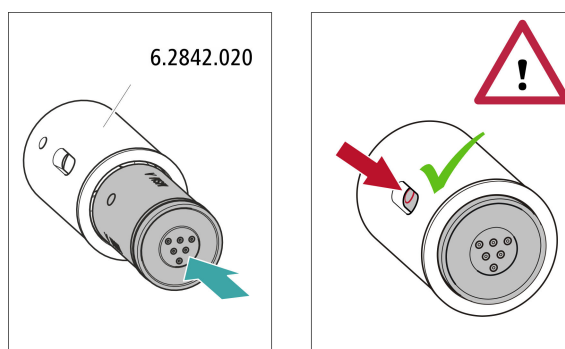
The rotor may be destroyed during start-up if not inserted correctly.
Therefore, follow the following instructions exactly.

Inserting large rotors



Inserting small rotors

You need the adapter (6.2842.020) in order to insert a small rotor into the suppressor drive.



5.12.2 Connecting the Metrohm Suppressor Module (MSM)

The 3 entries and exits of the suppressor units, numbered 1, 2 and 3 on the connecting piece, each have 2 permanently installed PTFE capillaries.

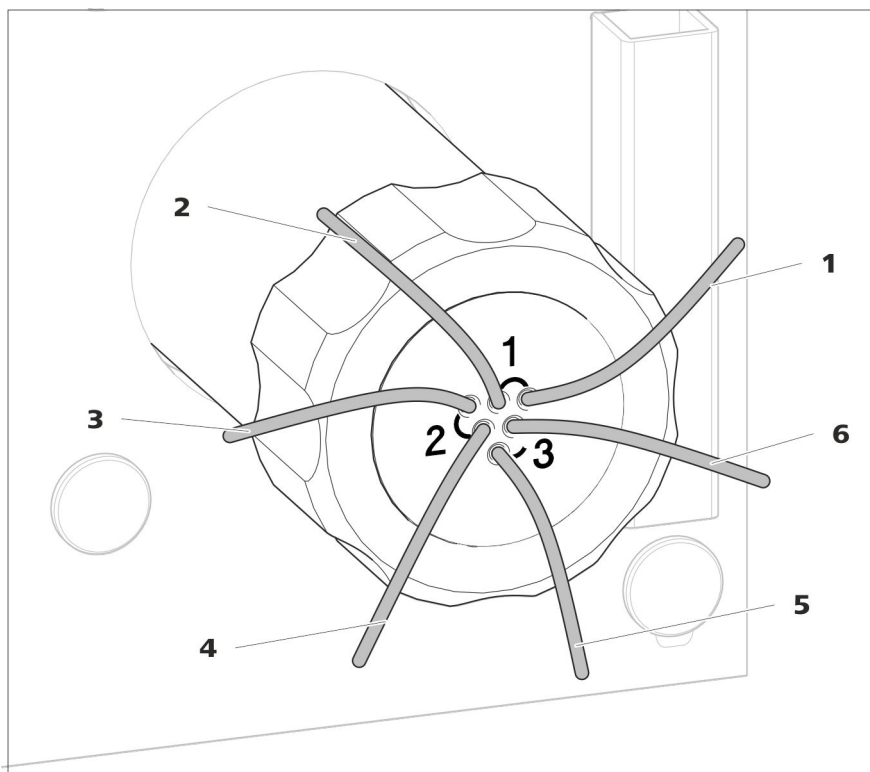
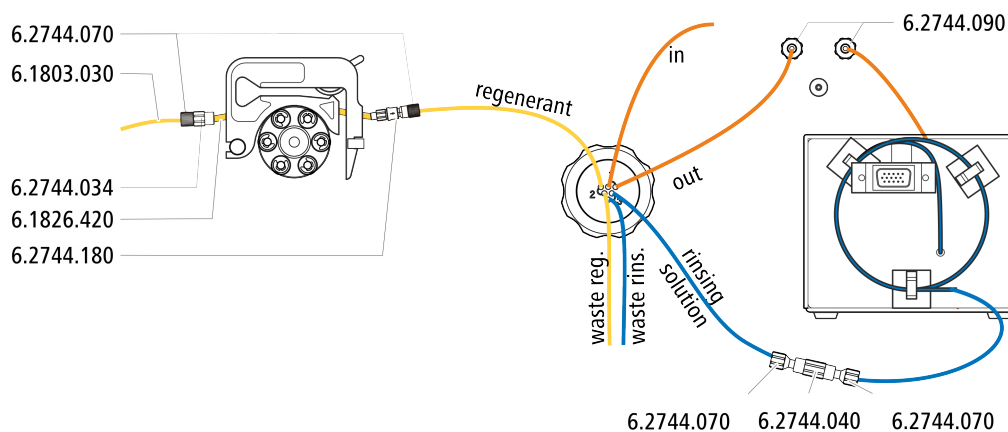


Figure 5 Metrohm Suppressor Module (MSM) – Connection capillaries

1 out Outlet capillary for the eluent.	2 in Inlet capillary for the eluent.
3 regenerant Inlet capillary for the regeneration solution.	4 waste reg. Outlet capillary for the regeneration solution; to the waste container.
5 waste rins. Outlet capillary for the rinsing solution; to the waste container.	6 rinsing solution Inlet capillary for the rinsing solution.

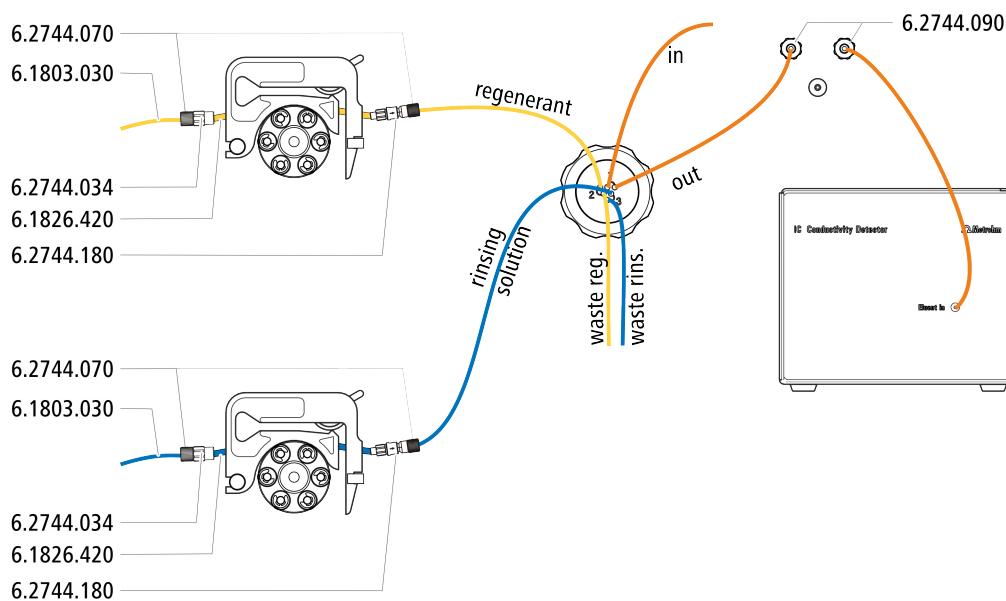
Recommended installation



Alternative installation

For the alternative installation, a second tubing cartridge (6.2755.000) is required that must be ordered separately with the following accessories:

- Tubing cartridge (6.2755.000)
- Coupling olive/UNF 10/32 2x (6.2744.034)
- Pump tubing connection with locking nut and filter (6.2744.180)
- Pump tubing PharMed® (orange/yellow) 3 stoppers (6.1826.420)
- Glass bottle / 1000 mL / GL 45 (6.1608.020)
- Bottle cap / GL 45 - 3 × UNF 10/32 (6.1602.150)
- PTFE capillaries 0.5 mm inner diameter / 3 m (6.1803.030)

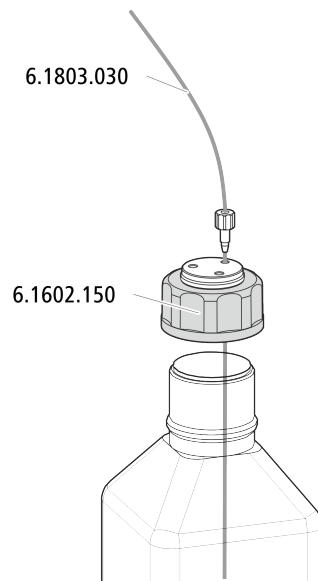


5.12.2.1 Installing bottles with auxiliary solutions

Accessories

To connect the bottles of the auxiliary solutions, you will need the following accessories:

- Accessories from the accessory kit: IC Vario/Flex SeS (6.5000.020)



5.13 Peristaltic pump

5.13.1 Installing the peristaltic pump

Installing the pump tubing

Pump tubing can differ in terms of material, diameter and thus flow rate. Different pump tubing is used depending on the application.

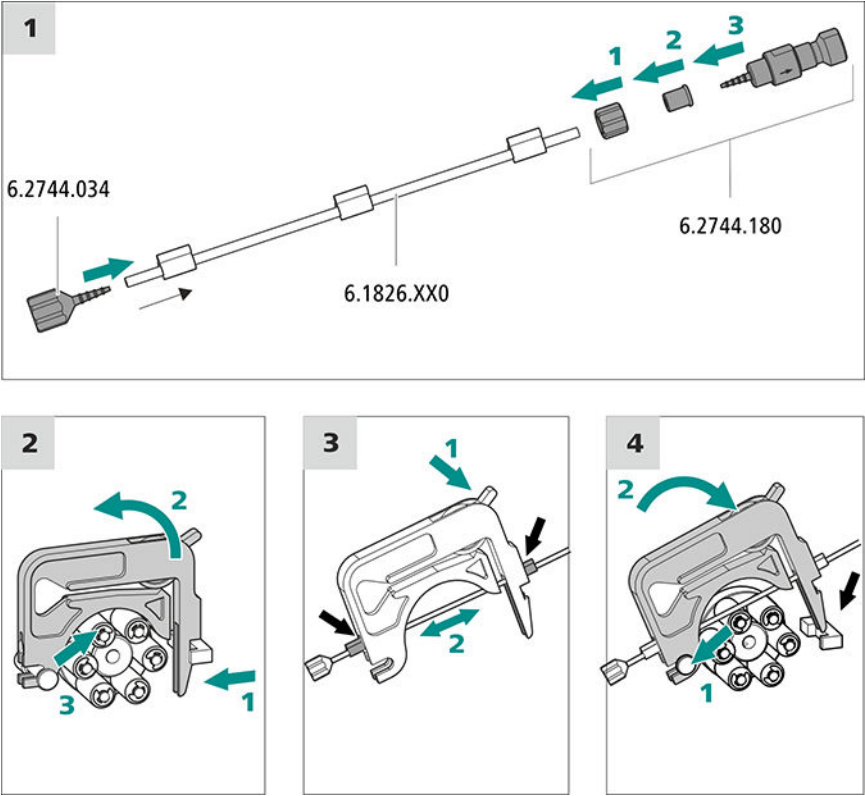
Selecting the pump tubing and adapter

- 1 Select pump tubing suitable for the application .
- 2 Select an adapter suitable for the pump tubing. The adapters are included with the pump tubing connection with locking nut and filter (6.2744.180).

Installing the pump tubing

For this step, you need the following accessories:

- Tubing cartridge (6.2755.000)
- Pump tubing (6.1826.XXX)
- Coupling olive/UNF 10/32 (6.2744.034)
- Pump tubing connection with locking nut and filter (6.2744.180): Includes a locknut, 3 adapters and a tubing olive with filter holder.
- 2 × pressure screw, short (6.2744.070)

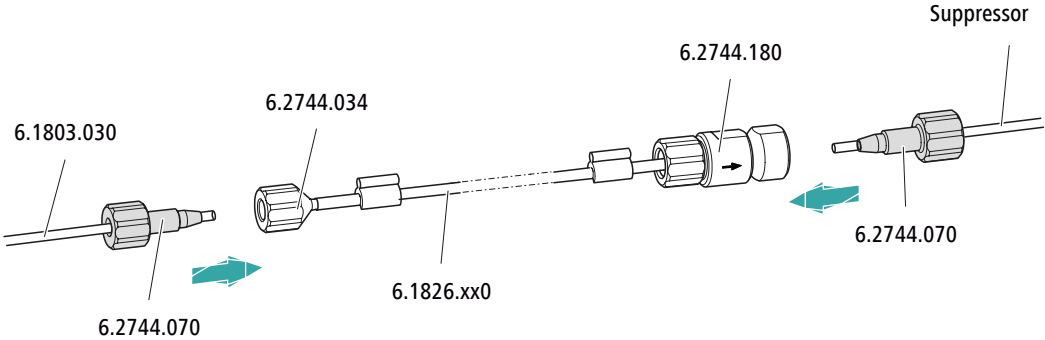


Connecting capillaries for regeneration solution

Accessories

For this step, you need the following accessories:

- Aspiration capillary (6.1803.030)
- 2 × pressure screw, short (6.2744.070)



On the pump tubing's connect this accessory
Inlet	Tighten the aspiration tubing (6.1803.030) to the tubing olive (6.2744.034) using a pressure screw (6.2744.070).
Output	Tighten the regenerant suppressor capillary to the pump tubing connection with locking nut and filter (6.2744.180) using a pressure screw (6.2744.070).



Next steps

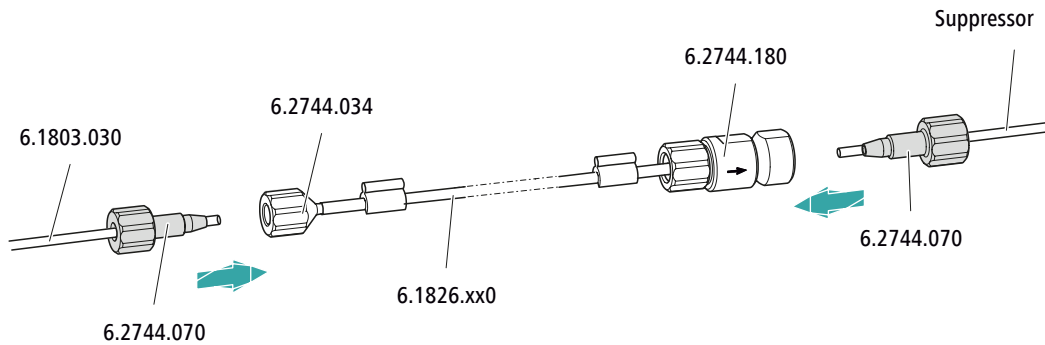
- Connect the loose end of the aspiration capillary to the bottle with the regeneration solution.

Connecting capillaries for rinsing solution (as an alternative to STREAM)

Accessories

For this step, you need the following accessories:

- Aspiration capillary (6.1803.030)
- 2 × pressure screw, short (6.2744.070)

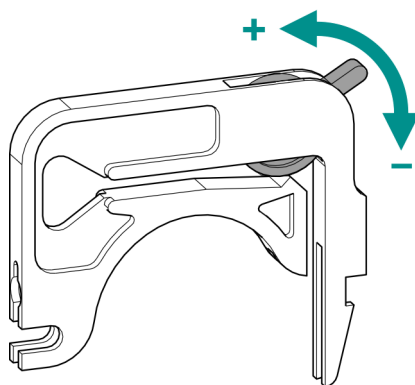


On the pump tubing's connect this accessory
Inlet	Tighten the aspiration tubing (6.1803.030) to the tubing olive (6.2744.034) using a pressure screw (6.2744.070).
Output	Tighten the rinsing solution suppressor capillary to the pump tubing connection with locking nut and filter (6.2744.180) using a pressure screw (6.2744.070).

Next steps

- Connect the loose end of the aspiration capillary to the bottle with the rinsing solution.

Setting the contact pressure correctly



- 1 ▪ Fully loosen the contact pressure lever , i.e. press it all the way down.

- In the software, activate the drive of the peristaltic pump with the desired speed.
- Raise the contact pressure lever one step at a time until liquid flows.
- When liquid starts flowing, raise the contact pressure lever by an additional two ratchet increments.

The contact pressure is now set optimally.

5.14 Metrohm CO₂ Suppressor (MCS)

5.14.1 Connecting the MCS

The MCS is connected between the Metrohm Suppressor Module (MSM) and the conductivity detector.

Connecting the MCS

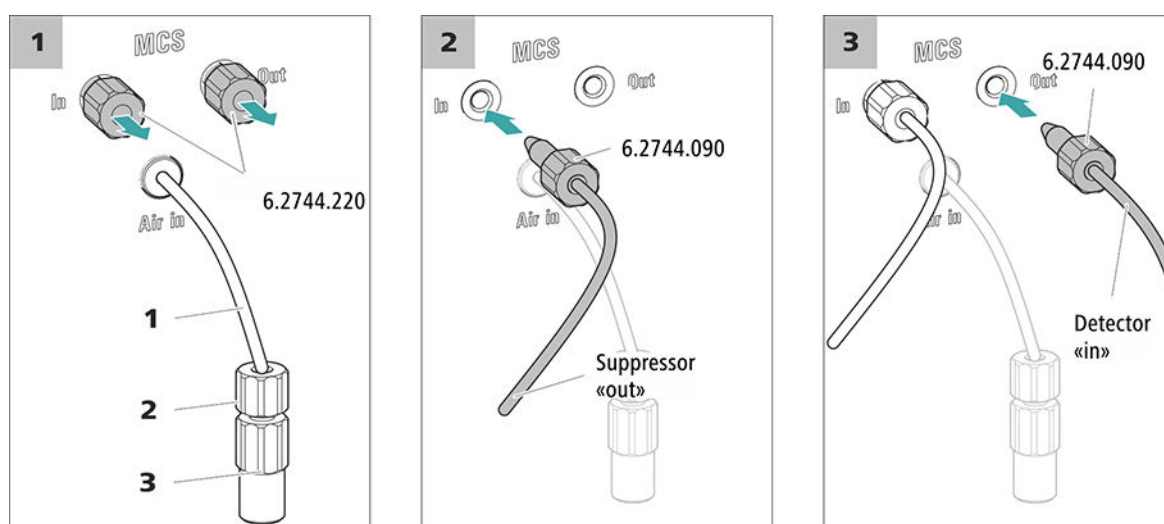


Figure 6 Connecting the MCS

1 Air aspiration capillary

For aspirating air with low CO₂ content (via the CO₂ Absorber).

2 Pressure screw, short (6.2744.070)

Installed on the air aspiration capillary.

3 Luer coupling (6.2744.120)

Mounted on the air aspiration capillary with a pressure screw (6.2744.070).



CAUTION

If the MCS is not used, then the inlet and outlet must be sealed with the threaded stoppers (6.2744.220).

**NOTE**

The new CO₂ Absorber (6.2837.100) works **without** upstream H₂O adsorber cartridge.

Installing the CO₂ Absorber*Accessories*

- Prepared CO₂ Absorber (6.2837.100)

**CAUTION**

The following preparatory steps absolutely must be carried out for CO₂ suppression to operate correctly.

Install the CO₂ Absorber as follows:

5.15 Installing the conductivity detector

The 940 Professional IC Vario provides enough space for two detectors and additional accessories in the detector chamber. The detectors are available as separate devices and are supplied with separate manuals.

Placing the detector in the instrument

Follow the instructions in the chapter *Inserting the detector* in the manual for the detector.

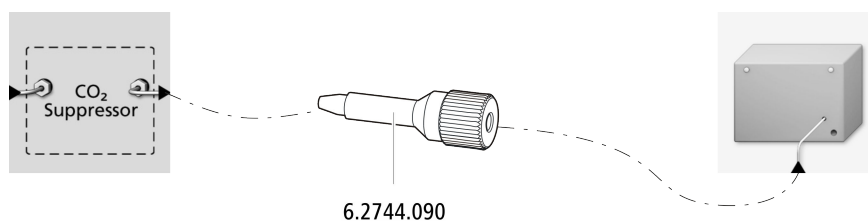
Connecting the detector to the eluent path**NOTE**

The separation column is not inserted into the instrument until it is being started up for the first time. Until then, the detector inlet capillary has to be connected to the *out* outlet of the MCS using a long pressure screw (6.2744.090).

Accessories

For this step, you need the following accessories:

- Pressure screw, long (6.2744.090)



5.16 Installing the amperometric detector

The 940 Professional IC Vario provides enough space for two detectors and additional accessories in the detector chamber. The detectors are available as separate devices and are supplied with separate manuals.

Placing the detector in the instrument

Follow the instructions in the chapter *Inserting the detector* in the manual for the detector.

5.17 Connecting the sample degasser (optional)

Gas bubbles in the sample lead to poor reproducibility, as the amount of sample in the sample loop is not always the same. Therefore, we recommend degassing samples that contain gas before injection.



NOTE

The sample degasser does not have to be connected. We recommend only using the sample degasser if the application requires it.

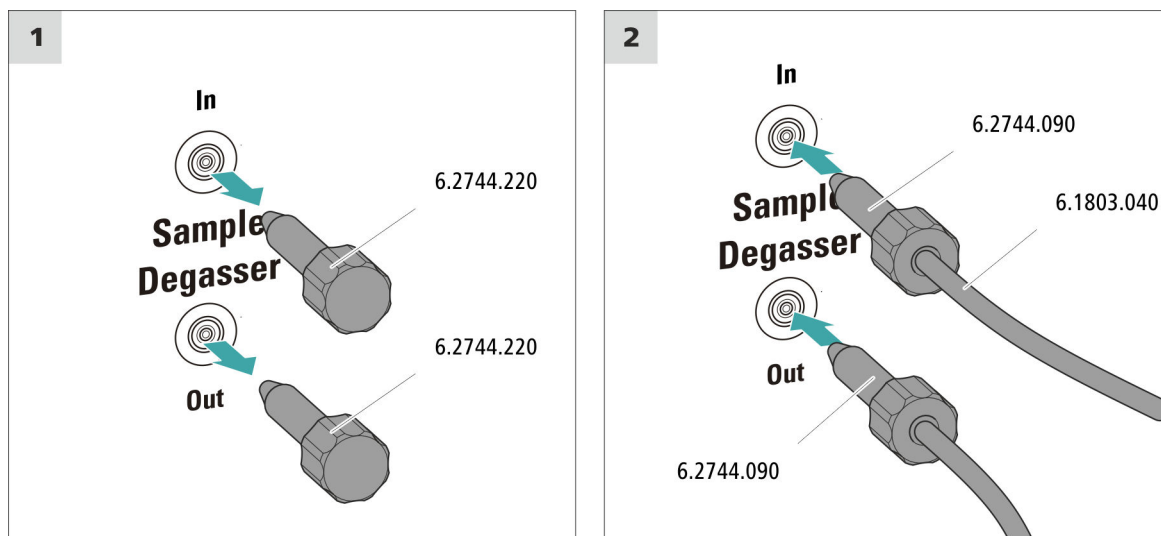
The rinsing time increases by at least two minutes when the sample degasser is connected.

Accessories

For this step, you need the following accessories:

- 2 × pressure screw, long (6.2744.090)
- PTFE capillary (6.1803.040)

Connecting the sample degasser



CAUTION

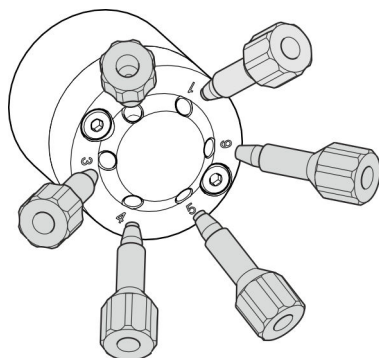
If the sample degasser is not used, the inlet and outlet **must** be sealed with threaded stoppers (6.2744.220).

5.18 Installing the 6-port valve

During sample preparation, the 6-port valve is used as a switch between two different flows.

Connectors

The 6-port valve (like the injection valve) has six connections that can be connected together depending on the application.





5.19 Connecting the instrument to a computer



NOTE

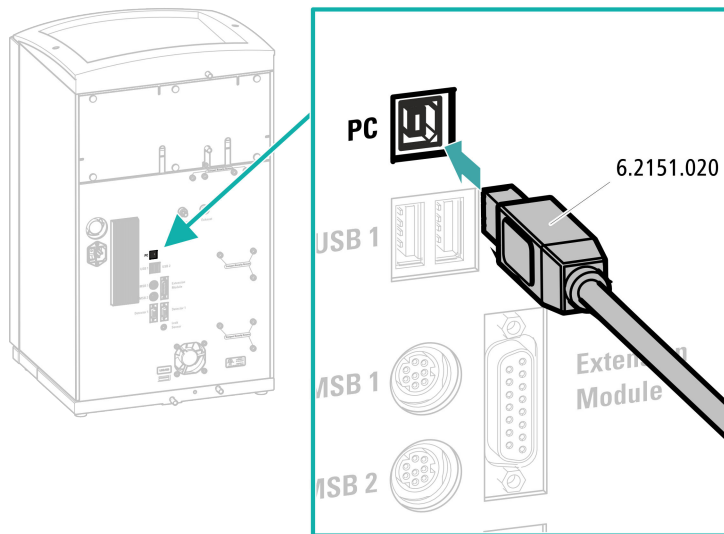
If the instrument is connected to the computer, then it must be switched off.

Accessories

For this step, you need the following accessories:

- USB connecting cable (6.2151.020)

Connecting the USB cable



5.20 Connecting the instrument to the power grid



WARNING

Electric shock from electrical potential

Risk of injury by touching live components or through moisture on live parts.

- Never open the housing of the instrument while the power cord is still connected.
- Protect live parts (e.g. power supply unit, power cord, connection sockets) against moisture.
- Unplug the power plug immediately if you suspect that moisture has gotten inside the instrument.
- Only personnel who have been issued Metrohm qualifications may perform service and repair work on electrical and electronic parts.

Connecting the power cord

Accessories

Power cord with the following specifications:

- Length: max. 2 m
- Number of cores: 3, with protective conductor
- Instrument plug: IEC 60320 type C13
- Conductor cross-section 3x min. 0.75 mm² / 18 AWG
- Power plug:
 - according to customer requirement (6.2122.XX0)
 - min. 10 A



NOTE

Do not use a not permitted power cord!

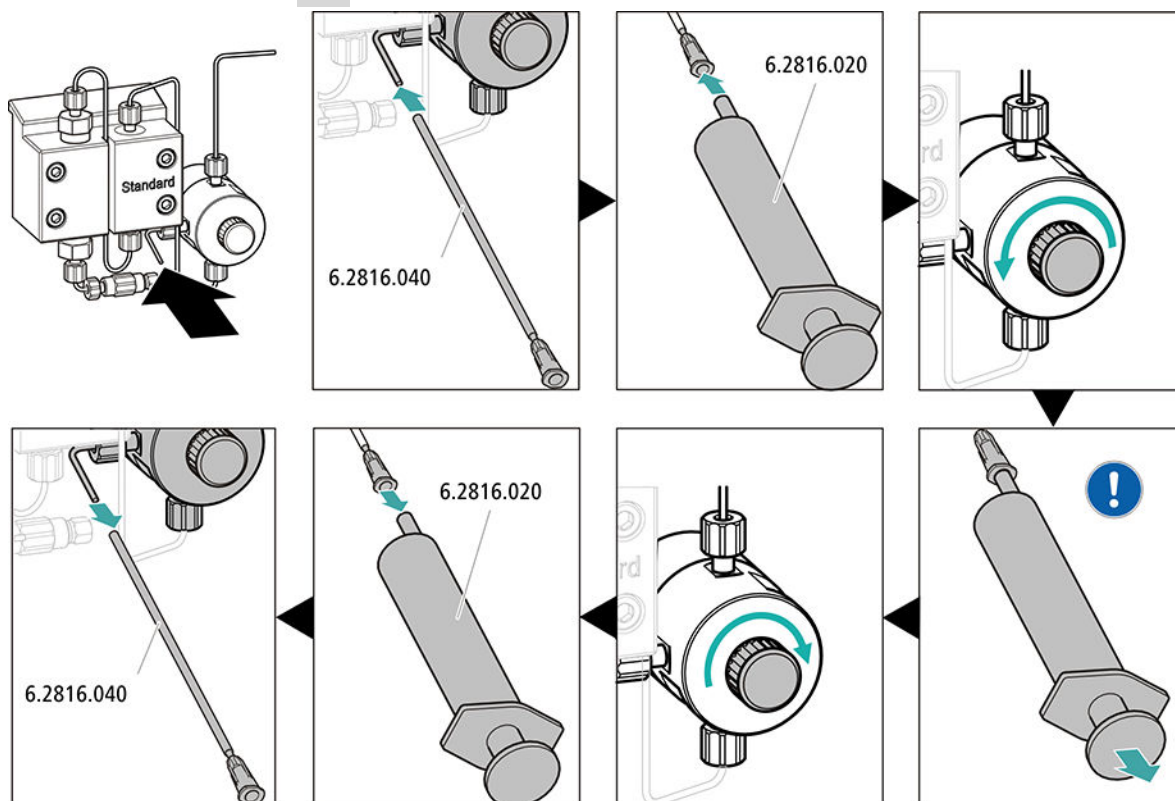
1 Plugging in the power cord

- Plug the power cord into the instrument's power socket.
- Connect the power cord to the power grid.

3 Starting the equilibration

- Start the equilibration in MagIC Net: **Workplace ► Run ► Equilibration ► Start HW.**

4 Deaerating the high-pressure pump



- Use the syringe to aspirate eluent until there are no more air bubbles in the eluent aspiration tubing.

5 Adjusting the contact pressure of the peristaltic pump

- Adjust the contact pressure of the peristaltic pump (see "Setting the contact pressure correctly", page 30).

6 Rinsing the instrument without columns

- Rinse the instrument (without columns) with eluent for 10 minutes.

5.22 Connecting and rinsing the guard column



CAUTION

New guard columns are filled with solution and sealed with stoppers or caps on both sides.

Before inserting the guard column, ensure that this solution can be mixed with the eluent being used (follow the information provided by the manufacturer).



NOTE

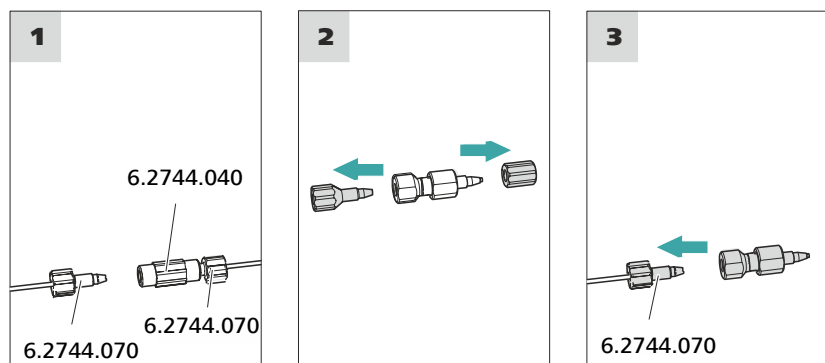
Only connect the guard column after the initial start-up of the instrument (see chapter 5.21, page 38). Until then, replace the guard column and the separation column with couplings (6.2744.040).

Accessories

For this step, you need the following accessories:

- Guard column (suitable for separation column)

Connecting the guard column



Rinsing the guard column

1 Rinsing the guard column

- Place a beaker under the guard column's outlet.
- Start manual control in MagIC Net and select the high-pressure pump: **Manual ► Manual control ► Pump**
 - **Flow: in accordance with column leaflet**
 - **On**

- Rinse the guard column with eluent for approx. 5 minutes.
- Stop the high-pressure pump in the manual control in MagIC Net again: **Off**.

5.23 Connecting and rinsing the separation column



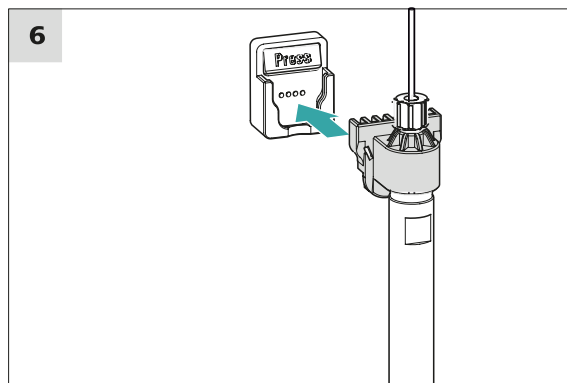
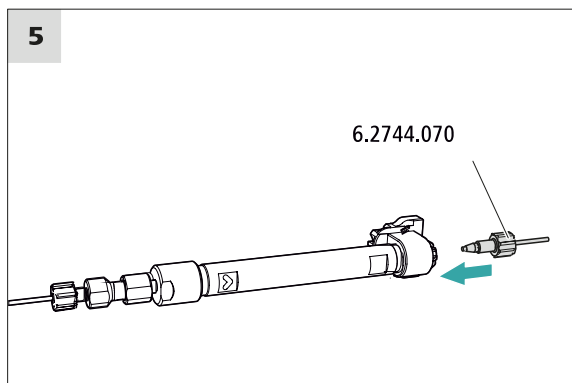
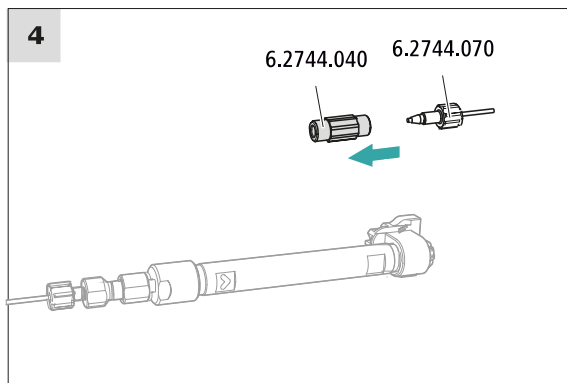
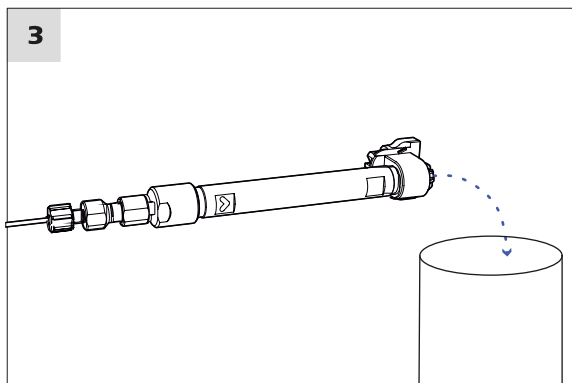
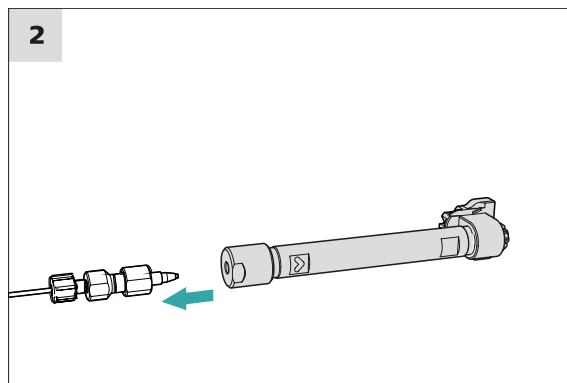
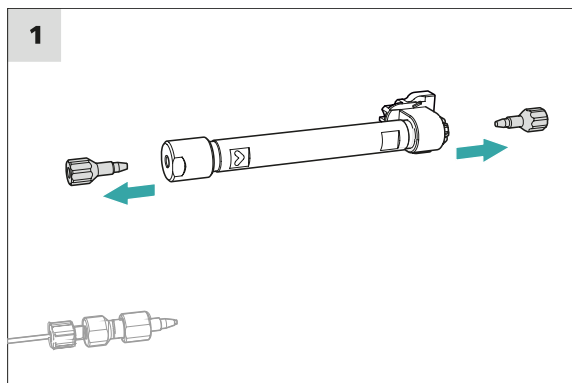
CAUTION

New IC Columns are filled with solution and sealed with stoppers on both sides. Before inserting the column, ensure that this solution can be mixed with the eluent being used (follow the information provided by the manufacturer).



NOTE

Connect the separation column only after the initial start-up of the instrument. Until that point, insert a coupling (6.2744.040) instead of the guard column and separation column.



Connecting the separation column

1 Rinsing the separation column

- Place a beaker under the outlet of the separation column.
- Start manual control in MagIC Net and select the high-pressure pump: **Manual ► Manual control ► Pump**
 - **Flow:** Increase gradually up to the flow rate recommended in the column leaflet.
 - **On**
- Rinse the separation column with eluent for approx. 10 minutes.

- Stop the high-pressure pump in the manual control in MagIC Net again: **Off**.

5.24 Conditioning

In the following cases, the system must be conditioned with eluent until a stable baseline has been reached:

- After installation
- After each time the instrument is switched on
- After each eluent change



NOTE

The conditioning time can lengthen considerably if the composition of the eluent is modified.

Conditioning the system

1 Preparing the software



CAUTION

Ensure that the configured flow rate is not higher than the flow rate permitted for the corresponding column (refer to the column leaflet and chip data record).

- Start the **MagIC Net** computer program.
- Open the **Equilibration** tab in MagIC Net: **Workplace ► Run ► Equilibration**.
- Select (or create) a suitable method.
Also see: *MagIC Net Tutorial* and online help.

2 Preparing the instrument

- Ensure that the column is inserted correctly in accordance with the flow direction marked on the sticker (arrow has to point in the direction of flow).
- Ensure that the eluent aspiration tubing is immersed in the eluent and that there is enough eluent in the eluent bottle.

3 Starting the equilibration

- Start the equilibration in MagIC Net: **Workplace ► Run ► Equilibration ► Start HW**.



- Visually inspect whether all capillaries and their connections from the high-pressure pump to the detector are leak-tight. If eluent is leaking out anywhere, tighten the corresponding pressure screw further, or loosen the pressure screw, check the end of the capillary and shorten it using the capillary cutter if necessary and retighten the pressure screw.

4 Conditioning the system

Continue rinsing the system with eluent until the desired stability level for the baseline has been attained .

The instrument is now ready for measuring samples.

6 Operation

The 940 Professional IC Vario ONE/SeS/PP/Prep 2 is operated solely using the MagIC Net software. You can find information on operating the software in the tutorial for MagIC Net or in the online help.

