

940 Professional IC Vario



940 Professional IC Vario ONE/SeS/PP/Prep 3

Manual

8.940.8021EN / v6 / 2025-04-30



Metrohm AG
CH-9100 Herisau
Switzerland
+41 71 353 85 85
info@metrohm.com
www.metrohm.com

940 Professional IC Vario

940 Professional IC Vario ONE/SeS/PP/Prep 3

2.940.1530

Manual

Technical Communication
Metrohm AG
CH-9100 Herisau

This documentation is protected by copyright. All rights reserved.

This documentation is an original document.

This documentation has been prepared with great care. However, errors can never be entirely ruled out. Please send comments regarding possible errors to the address above.

Disclaimer

Deficiencies arising from circumstances that are not the responsibility of Metrohm, such as improper storage or improper use, etc., are expressly excluded from the warranty. Unauthorized modifications to the product (e.g., conversions or attachments) exclude any liability on the part of the manufacturer for resulting damage and its consequences. Instructions and notes in the Metrohm product documentation must be strictly followed. Otherwise, Metrohm's liability is excluded.

Table of contents

1	Introduction	1
1.1	Instrument description	1
1.2	Accessories and additional information	3
1.3	Symbols and conventions	4
2	Safety	6
2.1	Intended use	6
2.2	Responsibility of the operator	6
2.3	Requirements for operating personnel	7
2.4	Safety instructions	7
2.4.1	General notes on safety	7
2.4.2	Electrical safety	7
2.4.3	Tubing and capillary connections	8
2.4.4	Flammable solvents and chemicals	9
2.4.5	Recycling and disposal	9
3	Overview of the instrument	10
3.1	Front	10
3.2	Rear	12
3.3	Feed-throughs for capillaries and cables	13
4	Installation	17
4.1	Setting up the instrument	17
4.1.1	Packaging	17
4.1.2	Checks	17
4.1.3	Location	17
4.2	Capillary connections in the IC system	17
4.3	Removing the handle	20
4.4	Removing transport locking screws	21
4.5	Connecting the drainage tubing and leak sensor	22
4.5.1	Installing the drainage tubing	22
4.5.2	Connecting the leak sensor	24
4.6	Column thermostat	24
4.7	Connecting the eluent bottle	25
4.8	Connecting the eluent degasser	29
4.9	Installing the high-pressure pump	29



4.10	Installing an inline filter	30
4.11	Installing the pulsation absorber	31
4.12	Injection valve	32
4.13	Metrohm Suppressor Module (MSM)	34
4.13.1	Inserting the rotors	34
4.13.2	Connecting the Metrohm Suppressor Module (MSM)	37
4.14	Peristaltic pump	42
4.14.1	Installing the peristaltic pump	42
4.14.2	Mode of operation for the peristaltic pump	47
4.15	Metrohm CO₂ Suppressor (MCS)	48
4.15.1	General information on the MCS	48
4.15.2	Connecting the MCS	49
4.15.3	Installing the CO ₂ Absorber	50
4.16	Installing the conductivity detector	52
4.17	Installing the amperometric detector	53
4.18	Connecting the sample degasser (optional)	53
4.19	Sample preparation module (SPM)	55
4.19.1	General information on the SPM	55
4.19.2	Connecting the sample preparation module (SPM)	55
4.20	Connecting the instrument to a computer	58
4.21	Connecting the instrument to the power grid	59
4.22	Initial start-up	60
4.23	Connecting and rinsing the guard column	62
4.24	Connecting and rinsing the separation column	65
4.25	Conditioning	68
5	Operation	70
6	Operation and maintenance	71
6.1	IC system	71
6.1.1	Operation	71
6.1.2	Care	71
6.1.3	Maintenance by Metrohm Service	71
6.1.4	Shutting down and recommissioning	72
6.2	Capillary connections	73
6.3	Servicing the door	73
6.4	Column thermostat – Replacing the capillaries	73
6.5	Handling the eluent	75
6.5.1	Manufacturing eluent	75
6.5.2	Changing the eluent	76

6.6	Eluent degasser maintenance	76
6.7	Notes on operating the high-pressure pump	77
6.8	Servicing the high-pressure pump	78
6.9	Servicing the inline filter	91
6.10	Servicing the pulsation absorber	94
6.11	Injection valve	94
6.12	Metrohm Suppressor Module (MSM)	94
6.12.1	Notes for operating the Metrohm Suppressor Module (MSM)	94
6.12.2	Taking care of the suppressor housing	95
6.12.3	Servicing the Metrohm Suppressor Module (MSM)	95
6.13	Peristaltic pump	104
6.13.1	Notes on operating the peristaltic pump	104
6.13.2	Servicing the peristaltic pump	104
6.14	Maintenance on the Metrohm CO₂ Suppressor (MCS)	106
6.14.1	Replacing the CO ₂ Absorber	106
6.15	Detector maintenance	107
6.16	Rinsing the sample path	107
6.17	Sample preparation module (SPM)	108
6.17.1	Notes for operating the SPM	108
6.17.2	Servicing the SPM	109
6.18	Separation column	110
6.18.1	Separating efficiency	110
6.18.2	Protecting the separation column	111
6.18.3	Storing the separation column	111
6.18.4	Regenerating the separation column	111
7	Troubleshooting	112
7.1		112
8	Technical specifications	117
8.1	Reference conditions	117
8.2	Ambient conditions	117
8.3	Housing	117
8.4	Weight	118
8.5	Leak sensor	118
8.6	Column thermostat	118
8.7	Eluent degasser	118
8.8	High-pressure pump	119
8.9	Injection valve	120



8.10	Metrohm Suppressor Module (MSM)	120
8.11	Peristaltic pump	120
8.12	Metrohm CO ₂ Suppressor (MCS)	120
8.13	Detector	121
8.14	Sample degasser	121
8.15	Sample preparation module (SPM)	121
8.16	Energy supply	121
8.17	Interfaces	122
	Index	123

Table of figures

Figure 1	Front	10
Figure 2	Rear	12
Figure 3	Feed-throughs on the door	14
Figure 4	Openings for capillaries and cables	15
Figure 5	Ducts for capillaries	16
Figure 6	Removing the transport locking screws	21
Figure 7	Installing the eluent bottle cap	25
Figure 8	Installing the tubing weighting and aspiration filter	27
Figure 9	High-pressure pump with purge valve	30
Figure 10	Inline filter	31
Figure 11	Pulsation absorber	31
Figure 12	Exchanging the sample loop	33
Figure 13	Metrohm Suppressor Module (MSM) – Connection capillaries	37
Figure 14	Peristaltic pump	48
Figure 15	Connecting the MCS	49
Figure 16	SPM – Connection capillaries	56
Figure 17	Column thermostat	74
Figure 18	High-pressure pump – Parts	78
Figure 19	High-pressure pump – Cross-section	85
Figure 20	Tool for piston seal (6.2617.010)	86
Figure 21	Removing the piston cartridge from the pump head	86
Figure 22	Inserting the piston seal into the tool	87
Figure 23	Parts of the piston cartridge	88
Figure 24	Inline filter – Removing the filter	92
Figure 25	Parts of the Metrohm Suppressor Module (MSM)	96
Figure 26	Pump tubing connection – Replacing the filter	105

1 Introduction

1.1 Instrument description

The 940 Professional IC Vario is a professional ion chromatograph. It is distinguished by:

- Its intelligence: All of the functions are monitored, optimized and documented in an FDA-compatible manner. Intelligent components, such as iColumns, save important data onto a chip.
- Its compact design: It has a small footprint.
- Its modularity: It provides flexibility for use in various applications. It can hold up to three modules for different functions in its three drawers. Individual modules can be swapped or added as needed.
- Its transparency: All components are easily accessible and located for simple visibility and can be monitored during operation through a large window.
- Its safety: The wet end and the electronics are physically separated. This prevents fluids from coming into contact with the electronics to a large extent. A leak sensor is integrated into the wet end.
- Its environmental compatibility.
- Its low noise emission.
- The intelligent MagIC Net™ software

The 940 Professional IC Vario is operated solely using the MagIC Net software. A USB cable is used to connect the device to a computer with MagIC Net installed. The intelligent software detects the device automatically and checks its functionality. The software controls and monitors the device, evaluates the measured data and manages it in a database.

The 940 Professional IC Vario ONE/SeS/PP/Prep 3 consists of the following modules:

Housing

The sturdy housing contains the instrument's electronic components, including their interfaces and three connections for separation columns (two of which are built into the installed column thermostat). In addition, the housing provides space for two detectors (conductivity detectors or amperometric detectors) and up to three plug-ins with different functions. Capillaries and cables can be fed into and out of the instrument through several openings.

**Leak sensor**

The leak sensor detects leaking liquid that collects in the instrument's base tray. Liquid that leaks in the instrument is routed to the base tray using drainage tubing and detected there.

Column thermostat

The column thermostat regulates the temperature for the separation columns and the eluent, thereby providing stable measuring conditions. The interior of the column thermostat can be heated and cooled. There are two column holders with chip readers in the column thermostat.

Eluent degasser

The eluent degasser removes gas bubbles and dissolved gases from the eluent.

High-pressure pump

The intelligent and low-pulsation high-pressure pump pumps the eluent through the IC system. It is equipped with a chip where its technical specifications and "life history" (operating hours, service data, etc.) are stored.

Inline filter

Inline filters protect the separation column reliably from potential contamination from the eluent. The filter pads with 2 µm pore size can be replaced quickly and easily. They remove particles from the solutions, such as bacteria and algae.

Pulsation absorber

The pulsation absorber protects the separation column from damage caused by pressure fluctuations, e.g. when the injection valve is switched, and reduces interfering pulsations during highly sensitive measurements.

Injection valve

The injection valve connects the eluent path to the sample path. By a quick and precise switching of the valve, a quantity of sample solution defined by the size of the sample loop is injected and flushed to the separation column with the eluent.

Metrohm Suppressor Module (MSM)

The chemical suppressor MSM consists of the suppressor drive, a rotor and, where applicable, an adapter. The suppressor drive gives you the flexibility to use different rotors according to the principle "one drive – many rotors". Suppression rotors with different capacities and construction or a rotor for sample preparation (SPM Rotor) are readily interchangeable with appropriate adapters as needed. The rotors are not included in the

instrument's scope of delivery. The rotor required for the application and any adapter that is required must be ordered separately.

Peristaltic pump

The peristaltic pump is used for pumping sample and auxiliary solutions. It can rotate in both directions.

Metrohm CO₂ Suppressor (MCS)

The Metrohm CO₂ Suppressor (MCS) removes the CO₂ from the eluent stream. This lowers the background conductivity, improves detection sensitivity, and minimizes the injection peak and the system peak.

Detector

Metrohm offers a series of different detectors for various analysis tasks. A suitable detector type must be ordered as a separate device.

Sample degasser

The sample degasser removes gas bubbles and dissolved gases from the sample.

Sample preparation module (SPM)

The SPM is used for Inline Sample Preparation. Its important applications include inline neutralization of samples and inline cation exchange before sample injection.

Separation column

The intelligent separation column separates different components according to their interactions with the column. Metrohm separation columns are equipped with a chip where their technical specifications and history (start-up, operating hours, injections etc) are stored.

1.2 Accessories and additional information

Additional information is available on the Metrohm website (<https://www.metrohm.com>):

- Product family
- Product versions
- Accessories
- Documents about the product

Downloading the accessories list



NOTE

The accessories list is a part of the product documentation. Download the accessories list and store it as a reference.

1. Use the search function to search for the product.
2. Open the desired product version.
3. Download the accessories list.

1.3 Symbols and conventions

The following symbols and formatting may appear in this documentation:

(5-12)	Cross-reference to figure legend The first number refers to the figure number, the second to the instrument part in the figure.
1	Instruction step Perform the steps one after the other.
Method	Dialog text, parameter in the software
File ► New	Menu or menu item
[Continue]	Button or key
	WARNING This symbol draws attention to a possible life-threatening hazard or risk of injury.
	WARNING This symbol draws attention to a possible hazard due to electrical current.
	WARNING This symbol draws attention to a possible hazard due to heat or hot instrument parts.
	WARNING This symbol draws attention to a possible biological hazard.
	WARNING Warning of optical radiation



CAUTION

This symbol draws attention to possible damage to instruments or instrument parts.



NOTICE

This symbol highlights additional information and tips.

The product may be used only when it is in perfect condition. The following measures are required to ensure the safe operation of the product:

- Check the condition of the product before use.
- Remedy defects and malfunctions immediately.
- Maintain and clean the product regularly.

2.3 Requirements for operating personnel

Only qualified personnel may operate the product. Qualified personnel are persons who meet the following requirements:

- Basic regulations on occupational safety and accident prevention for chemical laboratories are known and complied with.
- Knowledge of handling hazardous chemicals is present. Personnel have the ability to recognize and avoid potential dangers.
- Knowledge regarding the application of fire prevention measures for laboratories is available.
- Safety-relevant information is communicated and understood. The personnel can operate the product safely.
- The user documentation has been read and understood. The personnel operate the product according to the instructions in the user documentation.

2.4 Safety instructions

2.4.1 General notes on safety



WARNING

Operate this instrument only according to the information contained in this documentation.

This instrument left the factory in a flawless state in terms of technical safety. To maintain this state and ensure non-hazardous operation of the instrument, the following instructions must be observed carefully.

2.4.2 Electrical safety

The electrical safety when working with the instrument is ensured as part of the international standard IEC 61010.



WARNING

Only personnel qualified by Metrohm are authorized to carry out service work on electronic components.

**WARNING**

Never open the housing of the instrument. The instrument could be damaged by this. There is also a risk of serious injury if live components are touched.

There are no parts inside the housing which can be serviced or replaced by the user.

Supply voltage**WARNING**

An incorrect supply voltage can damage the instrument.

Only operate this instrument with a supply voltage specified for it (see rear panel of the instrument).

Protection against electrostatic charges**WARNING**

Electronic components are sensitive to electrostatic charges and can be destroyed by discharges.

Do not fail to pull the power cord out of the power socket before you set up or disconnect electrical plug connections at the rear of the instrument.

The device is to be operated only with the door closed.

2.4.3 Tubing and capillary connections**CAUTION**

Leaks in tubing and capillary connections are a safety risk. Tighten all connections well by hand. Avoid applying excessive force to tubing connections. Damaged tubing ends lead to leakage. Appropriate tools can be used to loosen connections.

Check the connections regularly for leakage. If the instrument is used mainly in unattended operation, then weekly inspections are mandatory.

2.4.4 Flammable solvents and chemicals

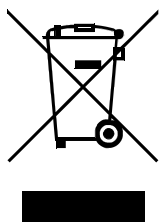


WARNING

All relevant safety measures are to be observed when working with flammable solvents and chemicals.

- Set up the instrument in a well-ventilated location (e.g. fume cupboard).
- Keep all sources of flame far from the workplace.
- Clean up spilled liquids and solids immediately.
- Follow the safety instructions of the chemical manufacturer.

2.4.5 Recycling and disposal



Properly dispose of chemicals and of the product to reduce negative effects on the environment and public health. Local authorities, waste disposal companies or dealers provide more detailed information on disposal. Observe the WEEE EU directive (WEEE = Waste Electrical and Electronic Equipment) for the proper disposal of waste electronic equipment within the European Union.



3 Overview of the instrument

3.1 Front

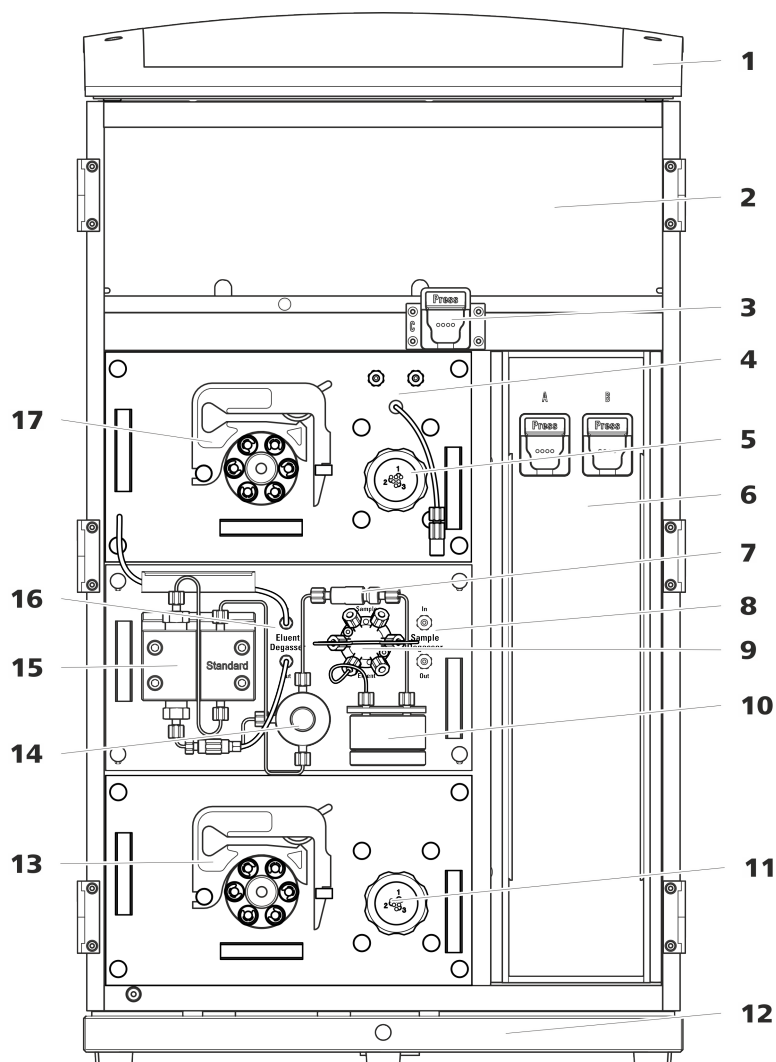


Figure 1 Front

1 Bottle holder

Offers space for the eluent bottle(s) and additional accessories.

2 Detector chamber

Offers space for two embedded detectors and additional accessories.

3 Column holder

For a third separation column outside the column thermostat.

4 Metrohm CO₂ Suppressor (MCS)

5 Metrohm Suppressor Module (MSM)	6 Column thermostat With two column holders for two separation columns.
7 Inline filter	8 Sample degasser
9 Injection valve	10 Pulsation absorber
11 Sample preparation module (SPM) For the sample preparation.	12 Base tray With leak sensor.
13 Peristaltic pump For transporting solutions for sample preparation.	14 Purge valve For purging the high-pressure pump.
15 High-pressure pump	16 Eluent degasser
17 Peristaltic pump	



3.2 Rear

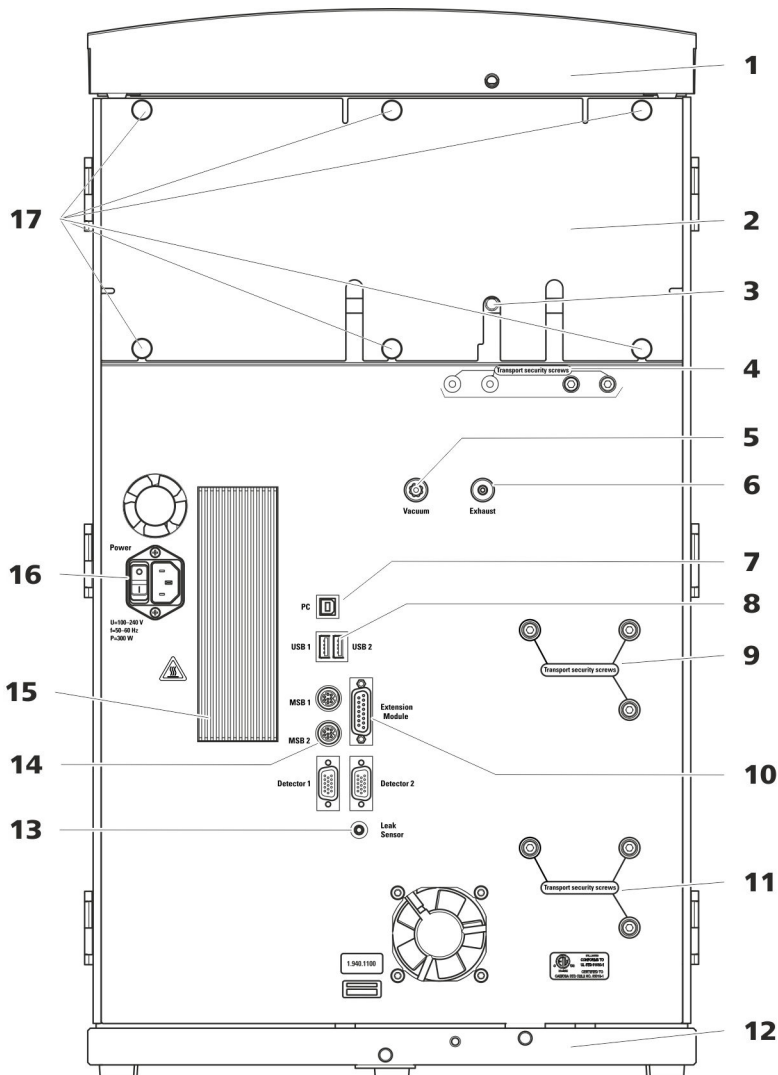


Figure 2 Rear

- 1 Bottle holder**
Offers space for the eluent bottle(s) and additional accessories.
- 3 Drainage tubing connection**
For connecting the drainage tubing, which guides escaped liquids away from the detector chamber.

- 2 Back panel**
Removable. Enables access to the detector chamber.
- 4 Transport locking screws**
For securing the vacuum pump(s) when transporting the instrument. Up to two vacuum pumps can be installed in an instrument. Only two transport locking screws are used if just one vacuum pump is installed.

<p>5 Vacuum connection For connecting an Extension Module that has a degasser but not its own vacuum pump. This connection has to be firmly sealed with a stopper when not in use.</p>	<p>6 Exhaust opening Labeled <i>Exhaust</i>. For extracting the air from the vacuum chamber.</p>
<p>7 PC connection socket For connecting the instrument to the computer with the USB cable (6.2151.020).</p>	<p>8 USB connection sockets Labeled <i>USB 1</i> and <i>USB 2</i>. For connecting USB devices.</p>
<p>9 Transport locking screws For securing the high-pressure pump (in the middle plug-in) when transporting the instrument.</p>	<p>10 Extension Module connection socket Labeled <i>Extension Module</i>. For connecting the cable (6.2156.060) used for connecting the instrument to the Extension Module.</p>
<p>11 Transport locking screws For securing the high-pressure pump (in the bottom plug-in) when transporting the instrument. These screws are only installed if a plug-in with a high-pressure pump is used in the bottom slot.</p>	<p>12 Base tray With leak sensor and leak sensor cable.</p>
<p>13 Leak sensor connection socket Labeled <i>Leak Sensor</i>. For connecting the leak sensor connection cable coiled up in the base tray.</p>	<p>14 MSB connection sockets Labeled <i>MSB 1</i> and <i>MSB 2</i>. For connecting MSB devices.</p>
<p>15 Cooler For cooling the power supply unit. May become hot!</p>	<p>16 Power socket Power socket for connecting the power cable and power switch for switching the instrument on and off.</p>
<p>17 Knurled screws For fastening the removable back panel.</p>	

3.3 Feed-throughs for capillaries and cables

Multiple openings are available for leading capillaries into the instrument and for leading capillaries and cables out of the instrument:

- Openings on the door (*see figure 3, page 14*)
- Openings on the back panel
- Ducts between the instrument and the base tray as well as between the instrument and the bottle holder (*see figure 5, page 16*)



Openings on the door

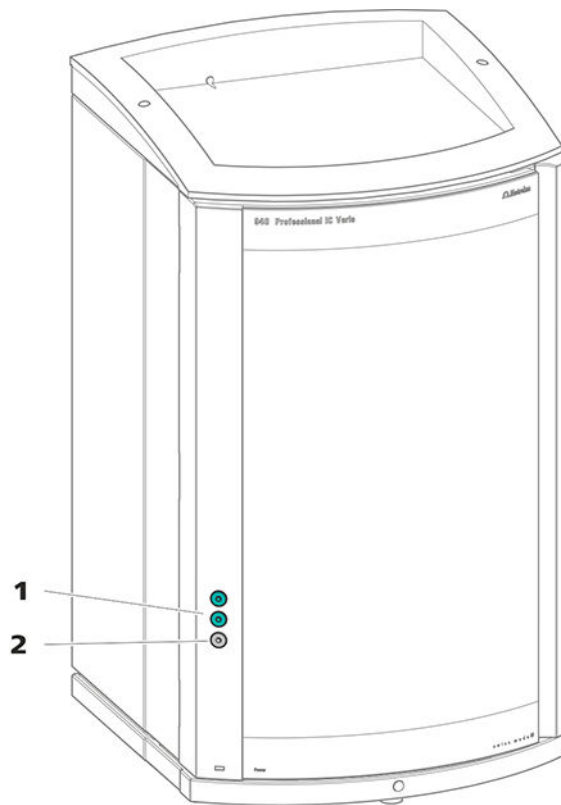


Figure 3 Feed-throughs on the door

1 Luer connector

For connecting a capillary from inside and for inserting a syringe (6.2816.020) from outside. For manual sample injection.

2 Opening for capillaries

For up to 3 capillaries.

An opening for up to 3 capillaries is located on the door of the instrument.

The two Luer connections above are not actually openings; the capillaries are fastened to the Luer connection from within using PEEK pressure screws. You can use a syringe to inject or draw out liquid from the outside.

Openings on the back panel

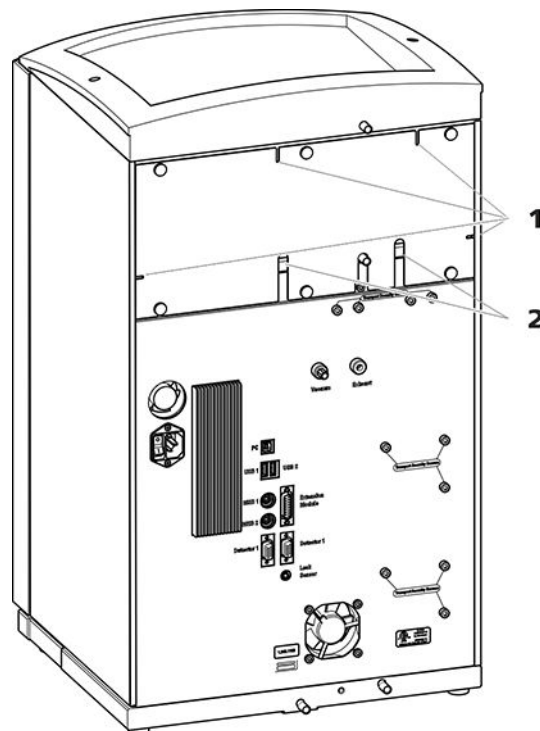


Figure 4 Openings for capillaries and cables

1 Openings for capillaries

2 Openings for cables

The removable back panel is outfitted with openings through which capillaries and cables can be lead out of the detector chamber.

Ducts for capillaries

There are ducts for capillaries between the instrument and base tray as well as between the instrument and the bottle holder. The capillaries can be fed to the front of the instrument from both sides of the instrument and from the front of the instrument to the back of the instrument.

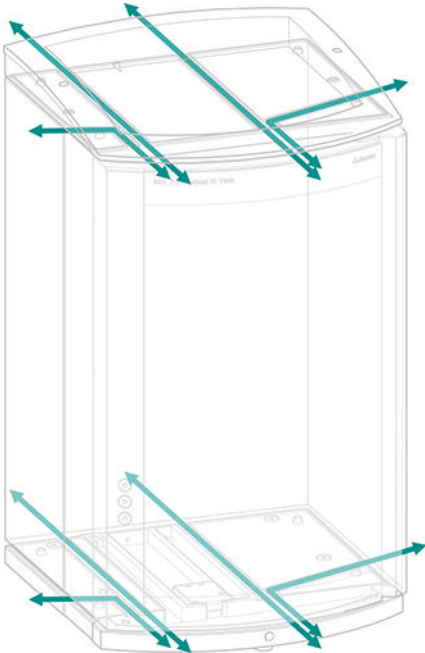


Figure 5 Ducts for capillaries

4 Installation

4.1 Setting up the instrument

4.1.1 Packaging

The instrument is supplied in protective packaging together with the separately packed accessories. Keep this packaging, as only this ensures safe transportation of the instrument.

4.1.2 Checks

Immediately after receipt, check whether the shipment has arrived complete and without damage by comparing it with the delivery note.

4.1.3 Location

The instrument has been developed for operation indoors and may not be used in explosive environments.

Place the instrument in a location of the laboratory which is suitable for operation and free of vibrations and which provides protection against corrosive atmosphere and contamination by chemicals.

The instrument should be protected against excessive temperature fluctuations and direct sunlight.

4.2 Capillary connections in the IC system

Generally speaking, capillary connections between 2 components of an IC system are made up of one connection capillary and 2 pressure screws used to connect the capillary to the respective components.

Pressure screws

Three types of pressure screws are used in the IC system:

Number	Designation	Use
6.2744.010 / 6.2744.014	Pressure screw	On the injection valve
6.2744.070	Pressure screw, short	High-pressure pump, purge valve, inline filter, pulsation absorber, separation columns
6.2744.090	Pressure screw, long	MCS, sample degasser, 10-port valve

Pressure screws are tightened and loosened by hand. A tool is not needed.

occurs if 2 capillary ends connected to each other do not fit exactly, thus allowing liquid to escape. There are 2 possible causes for this:

- The capillary ends do not have exactly flat edges.
- The two capillary ends do not completely meet.

One prerequisite for dead-volume-free capillary connection is that both capillary ends are cut exactly flat. Therefore we recommend cutting PEEK capillaries only with a capillary cutter (6.2621.080).

Also see: *Cutting capillaries* video on the Internet <http://ic-help.metrohm.com>.

Creating dead-volume-free capillary connections

To create dead-volume-free capillary connections, proceed as follows:

- 1** Wipe off the end of the capillary with a cloth dampened with acetone.
- 2** Slide the pressure screw over the capillary. Ensure that the capillary protrudes 1 to 2 mm from the tip of the pressure screw.
- 3** Push the capillary into the connection or coupling as far as it will go and hold it there.
- 4** Only then start turning the pressure screw. Hold the capillary in the stop position while turning it shut.

Colored sleeves for PEEK capillaries

The enclosed set of varicolored sleeves for PEEK capillaries (6.2251.000) serves to easily differentiate the various flows of liquid in the system through color coding. Each capillary conveying a given liquid (e.g. eluent) can be marked with sleeves of the same color.

- 1** Slide a colored sleeve of a selected color over a capillary and move it to an easily visible position.
- 2** Heat the colored sleeve, e.g. with a hairdryer.

The colored sleeve shrinks and adapts to the shape of the capillary.



NOTE

In order to arrange capillaries more clearly, they can be bundled with the spiral band (6.1815.010).



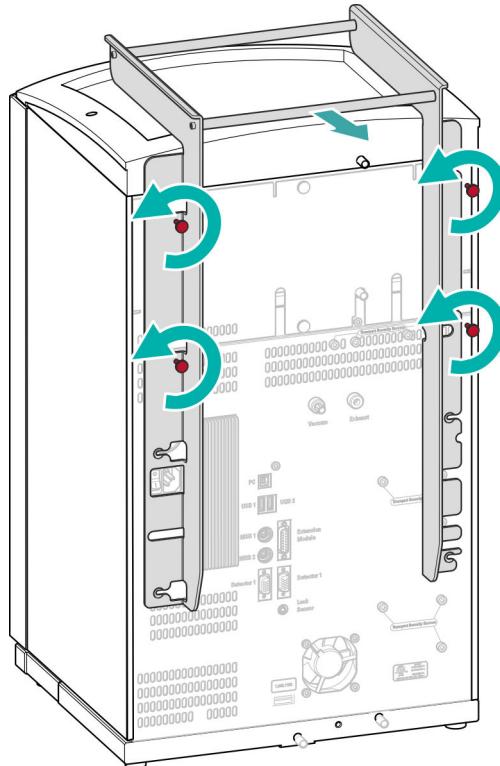
4.3 Removing the handle

The instrument is equipped with a handle in order to make it easier to transport. The handle can be removed once the instrument is in place in the lab.

Accessories

You do not need any accessories for the following work steps.

Removing the handle



1 Removing the handle

- Unscrew the four knurled screws.
- Remove the handle.

4.4 Removing transport locking screws

To avoid damage to the drives for the high-pressure pump and the vacuum pump during transport, the pumps are secured with transport locking screws. These are located at the rear of the instrument and labeled with **Transport security screws**.

Remove these transport locking screws before the initial start-up.

Accessories

For this step you need:

- 4 mm hex key (6.2621.030)

Removing the transport locking screws

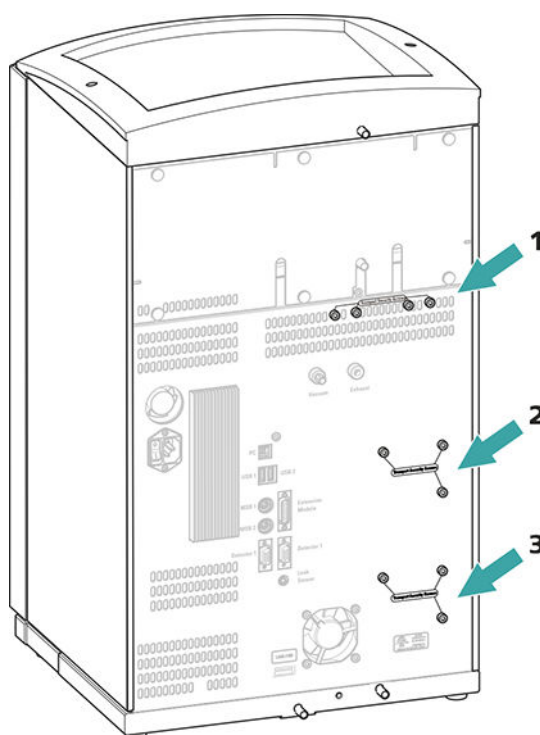


Figure 6 Removing the transport locking screws

1 Transport locking screws

For the vacuum pump.

2 Transport locking screws

For the high-pressure pump.

3 Transport locking screws

For an additional high-pressure pump in the bottom drawer.

- 1 Remove all of the transport locking screws with the hex key.



Store the transport locking screws in a safe place. Reinsert the transport locking screws each time you transport the instrument a significant distance.



CAUTION

The pumps may be damaged if you transport the instrument without inserting the transport locking screws.

4.5 Connecting the drainage tubing and leak sensor

The leak sensor detects leaking liquid that collects in the instrument's base tray. Liquid that leaks in the bottle holder or in the detector chamber is conveyed to the base tray using drainage tubing and is detected there.

If the leak sensor detects a leak in the IC system, the IC instrument is switched off. The software displays a warning.

The leak sensor functions properly only if the following preconditions are met:

- The drainage tubing is connected.
- The leak sensor connection cable is inserted into the leak sensor connection socket.
- The 940 Professional IC Vario is switched on.
- The leak sensor is switched to **active** in the software.

4.5.1 Installing the drainage tubing

Liquid that leaks in the bottle holder or detector chamber flows to the rear of the instrument. Openings on the bottle holder and in the detector chamber allow the liquid to drain. The drainage tubing has to be mounted at these openings. This drainage tubing guides the leaking liquid to the base tray where the leak sensor is located.

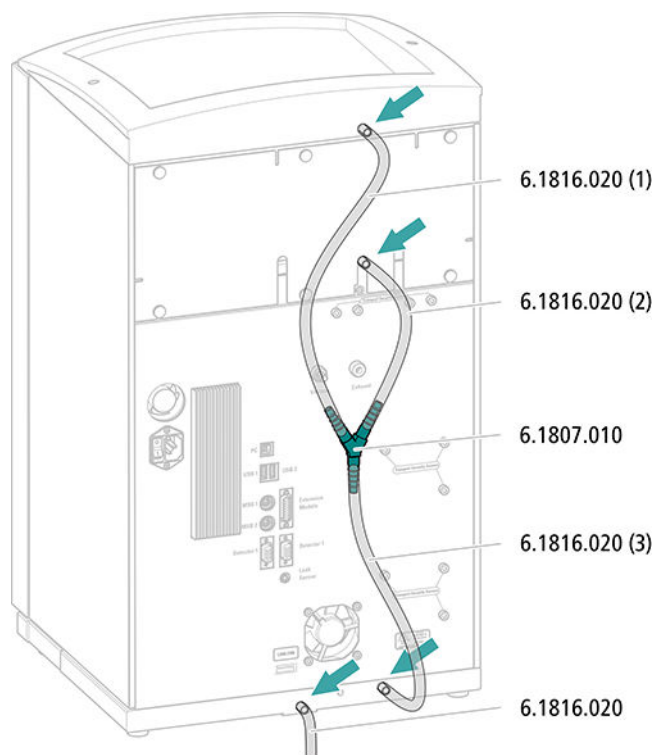
Accessories

For this step you need the following parts from the accessory kit: Vario/Flex Basic (6.5000.000):

- 2 × silicone tubing (6.1816.020)
- Y connector (6.1807.010)

You also need scissors.

Connecting the drainage tubing



- 1** Cut a piece of silicone tubing into three pieces using scissors: 2 × approx. 40 cm and 1 × 20 cm.
- 2** Attach one end of the 40 cm long piece to the drainage tubing connection on the bottle holder.
- 3** Attach one end of the 20 cm long piece to the drainage tubing connection on the detector chamber.
- 4** Attach each of the loose ends of both pieces of silicone tubing to one end of the Y connector.
- 5** Attach one end of the second 40 cm long piece to the third end of the Y connector.
Attach the loose end to the right-side drainage tubing connection on the base tray.
- 6** Attach one end of the second piece of silicone tubing to the left-side drainage tubing connection on the base tray.

4.7 Connecting the eluent bottle

The eluent is aspirated out of the eluent bottle via the eluent aspiration tubing. The eluent aspiration tubing is installed on the entry to the eluent degasser.

The tubing must be fed out of the instrument through a suitable opening (see "Openings on the back panel", page 15) before the loose end can be connected to the eluent bottle.

Accessories

For this step, you need the following accessories:

These parts are part of the *Vario/Flex ONE* accessory kit (6.5000.010).

- Eluent bottle (6.1608.070)
- The *eluent bottle cap GL 45* accessory set (6.1602.160)
This accessory set contains the bottle cap, an M6 tubing nipple, an M8 tubing nipple, two O-rings and an M6 and M8 threaded stopper.
- The *tubing adapter for aspiration filter* accessory set (6.2744.210)
This accessory set contains a filter holder, a clamping screw and tubing weighting.
- An aspiration filter (6.2821.090)
- The adsorber tube (6.1609.000)
- The SGJ clip (6.2023.020)

Connecting the eluent aspiration tubing

1 Installing the eluent bottle cap (6.1602.160)

- Start by pushing the M8 tubing nipple onto the loose end of the eluent aspiration tubing, followed by the O-ring.
- Push the loose end of the eluent aspiration tubing through the M8 opening of the bottle cap and screw it on for the time being.

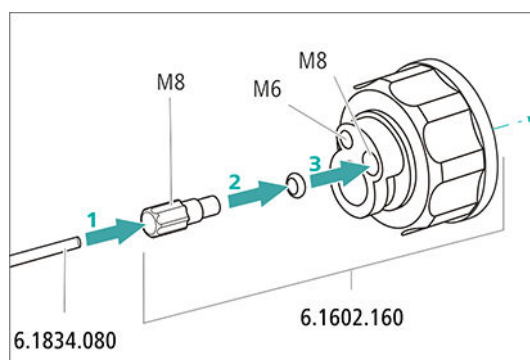


Figure 7 Installing the eluent bottle cap



2 Mounting the tubing adapter

Install the parts of the *tubing adapter for aspiration filter* (6.2744.210) accessory set:

- Start by pushing the tubing weighting onto the loose end of the eluent aspiration tubing.
- Then push the clamping screw onto the loose end of the eluent aspiration tubing.
- Lastly, push the filter holder onto the loose end of the eluent aspiration tubing and screw it onto the tubing nipple. The end of the tubing should extend approximately 1 cm.

3 Pre-rinsing the aspiration filter



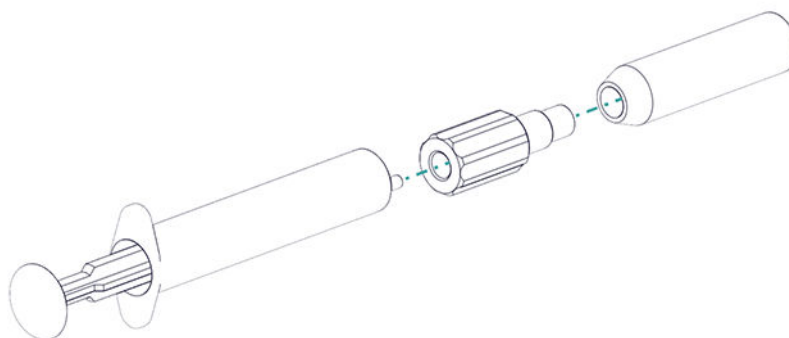
NOTE

Always wear gloves when handling the aspiration filter.

In order to avoid air bubbles after the installation of the aspiration filter, we recommend pre-rinsing the aspiration filter with ultrapure water or eluent.

For pre-rinsing, you will need the adapter Luer inner, M6 outer (6.02744.050), a syringe and a vessel with ultrapure water or eluent.

- Screw the adapter to the aspiration filter.
- Insert the syringe into the adapter.



- Immerse the aspiration filter tin a vessel with ultrapure water or eluent.
- Fill the syringe completely with ultrapure water or eluent 3 times and then empty it again each time.

4 Mounting the aspiration filter



NOTE

Always wear gloves when handling the aspiration filter.

- Place the loose end of the eluent aspiration tubing into the aspiration filter. The end of the tubing should reach approximately to the center of the aspiration filter.
- Tighten the aspiration filter to the filter holder.

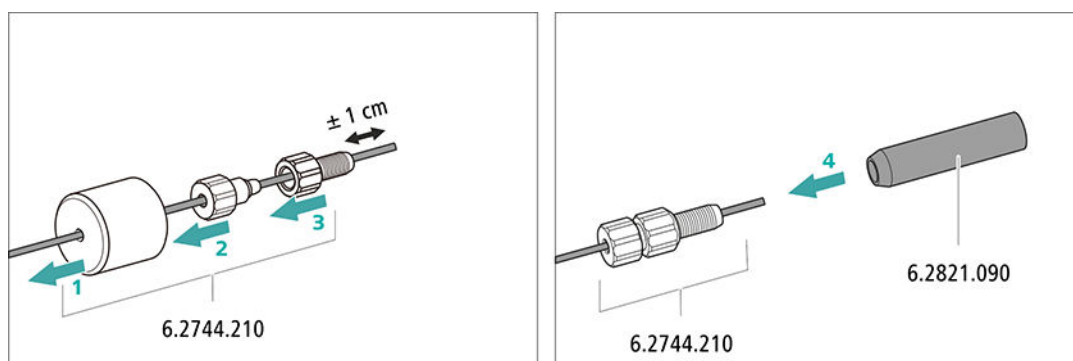
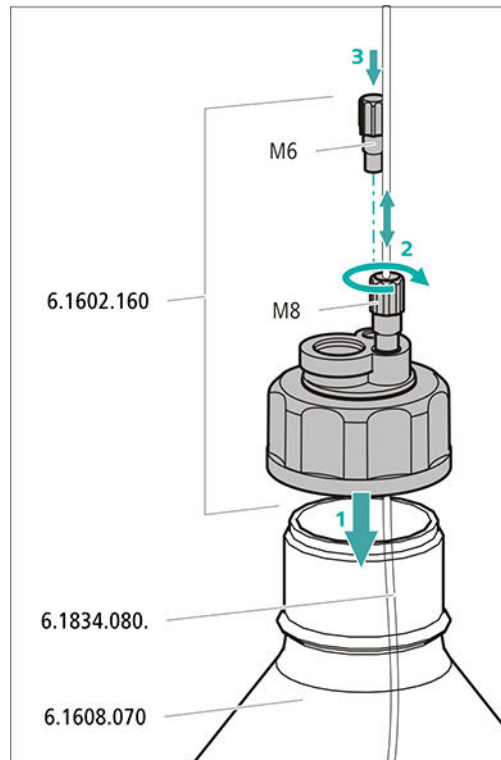


Figure 8 Installing the tubing weighting and aspiration filter

5 Installing the eluent bottle cap on the eluent bottle

- Insert the eluent aspiration tubing into the eluent bottle (6.1608.070).
- Tighten the bottle cap on the eluent bottle.
- Adjust the length of the eluent aspiration tubing so that the aspiration filter is at the bottom of the eluent bottle. Then fix it in place using the M8 tubing nipple.
- Seal the M6 opening on the bottle cap with the M6 threaded stopper from the accessory set.



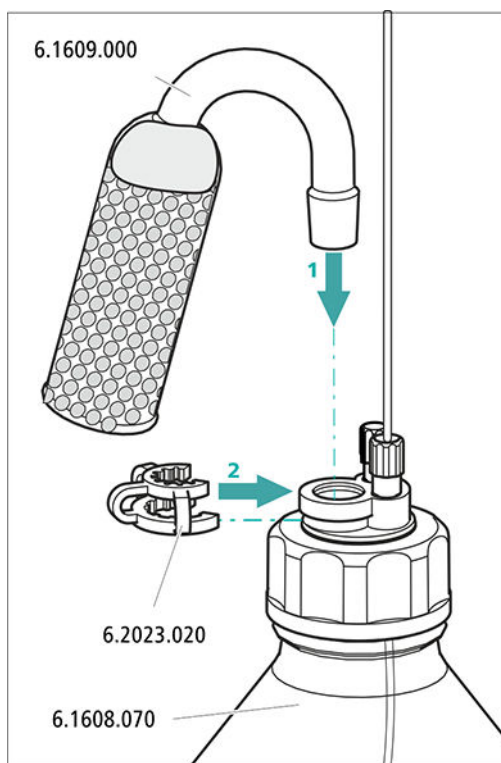
6 Mounting the adsorber tube



NOTE

Depending on the eluent used, the adsorber tube (6.1609.000) must be filled differently:

- For alkaline eluents or eluents with a low buffer capacity: first a little cotton, then with CO₂ absorber material.
 - For all other eluents: Only with cotton.
- Remove the plastic cover from the large opening of the adsorber tube. Fill the adsorber tube and close it again using the plastic cover.
 - Insert the adsorber tube into the bottle cap's large opening. Fasten it to the bottle cap using the ground-joint clip (6.2023.020).



4.8 Connecting the eluent degasser

The high-pressure pump cannot generate uniform flow if the eluent contains small gas bubbles or dissolved gas. As a result, the baseline cannot be stabilized correctly. In order to achieve good measurement results, the eluent has to be degassed before it goes into the high-pressure pump.

The eluent degasser is completely connected. No installation work is required.

4.9 Installing the high-pressure pump

The intelligent and low-pulsation high-pressure pump pumps the eluent through the system. It is equipped with a chip where its technical specifications and "life history" (operating hours, service data, etc.) are stored.

The high-pressure pump consists of:

- The pump head, which pumps the eluent through the system.
- The purge valve used for bleeding the pump head.

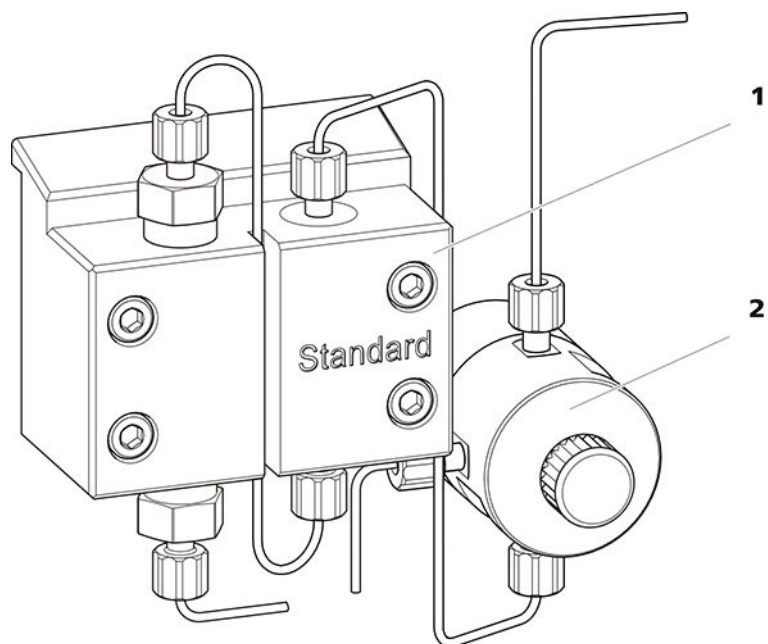


Figure 9 High-pressure pump with purge valve

1 Pump head

2 Purge valve

The high-pressure pump is completely connected. No installation work is required.

4.10 Installing an inline filter

Inline filters protect the separation column reliably from potential contamination from the eluent. The small filter pads with 2 μm pore size can be replaced quickly and easily. They remove particles from the solutions.

An inline filter (6.2821.120) is installed between the purge valve and the pulsation absorber as protection against particles.

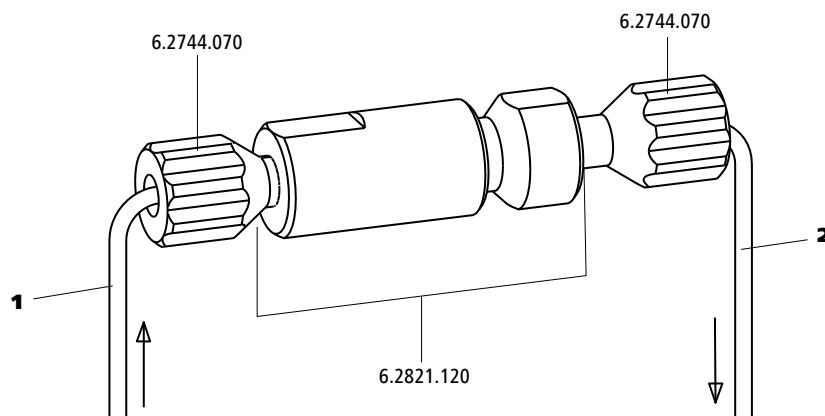


Figure 10 In-line filter

1 Inlet capillary

Connected to the purge valve.

2 Outlet capillary

Connected to the pulsation absorber.

The inline filter is completely connected. No installation work is required.

4.11 Installing the pulsation absorber

The pulsation absorber is installed between the high-pressure pump and the injection valve. It protects the separation column from damage caused by pressure fluctuations, e.g. when the injection valve is switched, and reduces interfering pulsations during highly sensitive measurements.

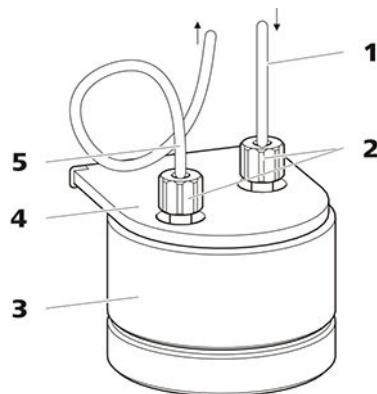


Figure 11 Pulsation absorber

1 Connection capillary

Connection to inline filter.

2 PEEK pressure screws, short (6.2744.070)**3 Pulsation absorber (6.2620.150)****4 Holder for pulsation absorber****5 Connection capillary**

Connection to injection valve.

The pulsation absorber is completely connected. No installation work is required.

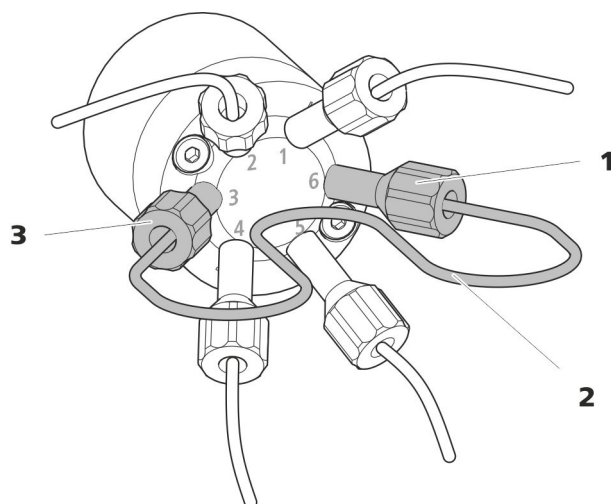


Figure 12 Exchanging the sample loop

1 Pressure screw
Fastened to Port 6.

2 Sample loop

3 Pressure screw
Fastened to Port 3.

Exchanging the sample loop



NOTE

Observe a dead-volume-free installation of the sample loop (see "Creating dead-volume-free capillary connections", page 19).

1 Removing the existing sample loop

- Loosen the pressure screws (6.2744.010) at Port 3 and Port 6.
- Remove the sample loop.

2 Installing a new sample loop

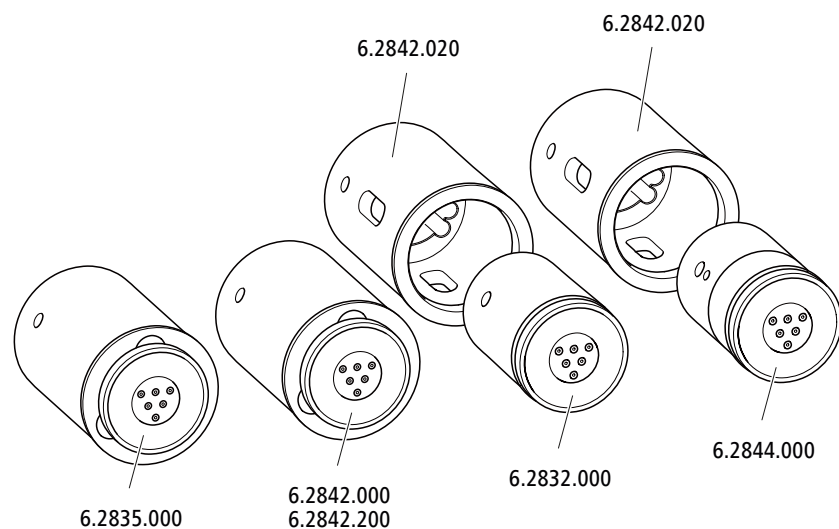
- Fasten one end of the sample loop to Port 3 using a PEEK pressure screw (6.2744.010).
- Use the second PEEK pressure screw (6.2744.010) to fasten the other end of the sample loop to Port 6.

4.13 Metrohm Suppressor Module (MSM)

The suppressor drive of the 940 Professional IC Vario can hold various rotors. The large rotors, such as the SPM Rotor A (6.2835.000), the MSM-HC Rotor A (6.2842.000) and the MSM-HC Rotor C (6.2842.200) can be inserted directly.

The small rotors, such as the MSM Rotor A (6.2832.000) and the MSM-LC Rotor A (6.2844.000), must first be fitted into the adapter (6.2842.020), which can then be inserted into the suppressor housing.

A connecting piece (6.2835.010) is used for all rotors for connecting the Metrohm Suppressor Module (MSM) to the IC system.



NOTE

The instruments are supplied without rotor and without adapter.
The suitable rotor and the adapter, if required, must be ordered separately.

4.13.1 Inserting the rotors

Accessories

For this step, you need the following accessories:

- For suppression: MSM Rotor A (6.2832.000) or MSM-HC Rotor A (6.2842.000), MSM-LC Rotor A (6.2844.000) or MSM-HC Rotor C (6.2842.200) or MSM-HC Rotor C (6.2842.200)
- Optional: Adapter (6.2842.020)
- Connecting piece (6.2835.010)

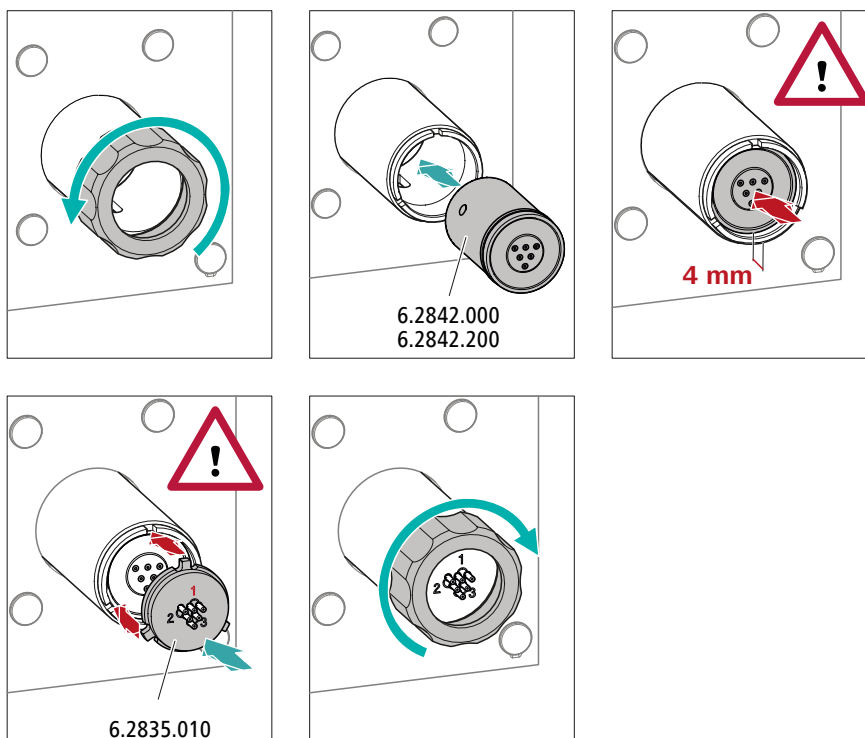
Large rotors can be inserted directly into the rotor housing.



CAUTION

The rotor may be destroyed during start-up if not inserted correctly. Therefore, follow the following instructions exactly.

Inserting large rotors



1 Removing the union nut

Loosen the union nut and remove it.

2 Inserting the rotor

- Clean the sealing surface of the rotor with ethanol using a lint-free cloth.
- Insert the rotor into the suppressor drive so that the tubing connections on the rear of the rotor fit into the corresponding recesses inside the suppressor drive and one of the three holes of the rotor is visible from below in the slot of the suppressor drive.



NOTE

The rotor's sealing surface is located approx. 4 mm deep inside the suppressor drive if the rotor is inserted correctly.

If this is not the case, then the rotor must be moved into the correct position using careful turning. If the rotor cannot be turned or removed, it can be moved into the correct position from below by means of a pointed object (e.g. a screwdriver).

3 Inserting the connecting piece

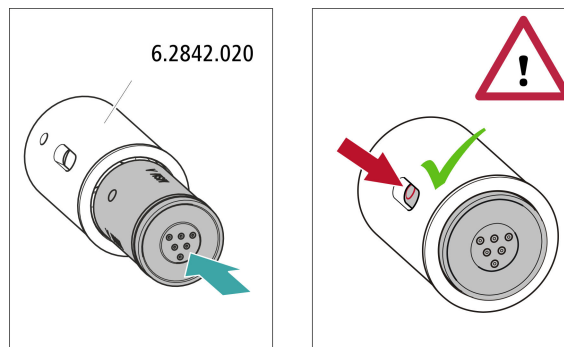
- Clean the sealing surface of the connecting piece with ethanol using a lint-free cloth.
- Insert the connecting piece into the suppressor drive so that connector 1 is on top and the 3 pins of the connecting piece fit into the corresponding recesses on the suppressor drive.

4 Attaching the union nut

Tighten the union nut on the thread of the suppressor drive by hand (do not use any tools).

Inserting small rotors

You need the adapter (6.2842.020) in order to insert a small rotor into the suppressor drive.



1 Inserting the rotor into the adapter



CAUTION

An incorrectly inserted rotor may be **destroyed** during start-up.

- Clean the sealing surface of the rotor with ethanol using a lint-free cloth.
- Insert the rotor into the adapter so that the tubing connections on the rear of the rotor fit into the corresponding recesses inside the adapter and one of the 3 holes of the rotor is visible in the slot of the adapter.

2 Inserting the adapter

Insert the adapter into the suppressor drive just like a large rotor (see "Inserting large rotors", page 35).

4.13.2 Connecting the Metrohm Suppressor Module (MSM)

The 3 entries and exits of the suppressor units, numbered 1, 2 and 3 on the connecting piece, each have 2 permanently installed PTFE capillaries.

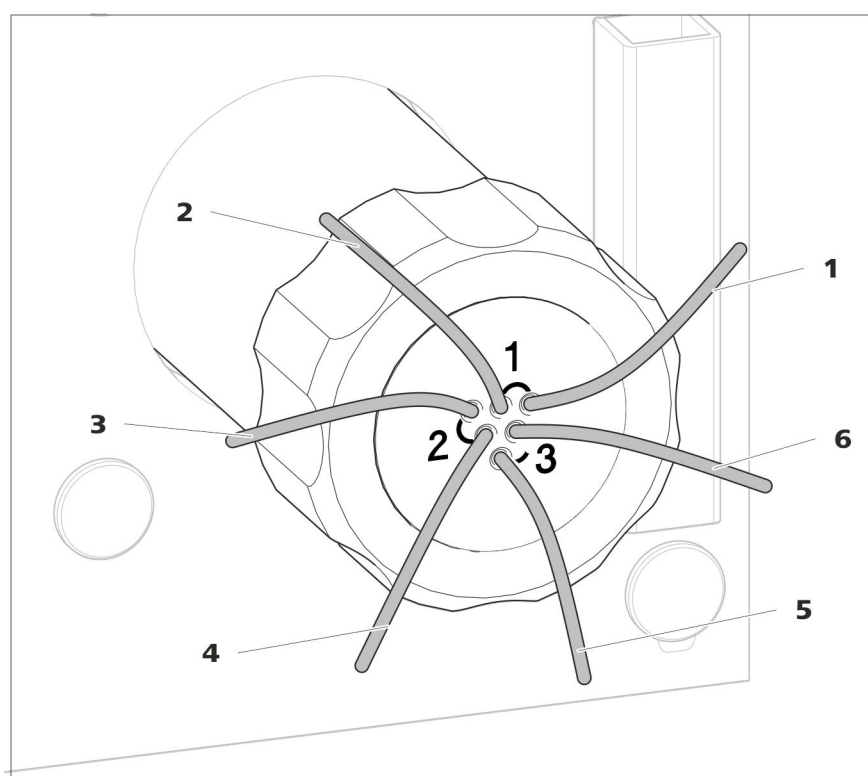


Figure 13 Metrohm Suppressor Module (MSM) – Connection capillaries

1 out
Outlet capillary for the eluent.

2 in
Inlet capillary for the eluent.

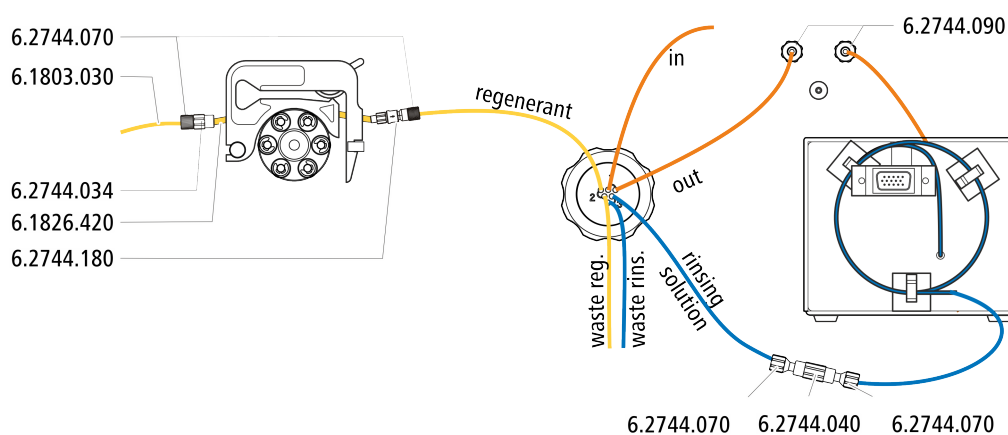
3 regenerant
Inlet capillary for the regeneration solution.

5 waste rins.
Outlet capillary for the rinsing solution; to the waste container.

4 waste reg.
Outlet capillary for the regeneration solution; to the waste container.

6 rinsing solution
Inlet capillary for the rinsing solution.

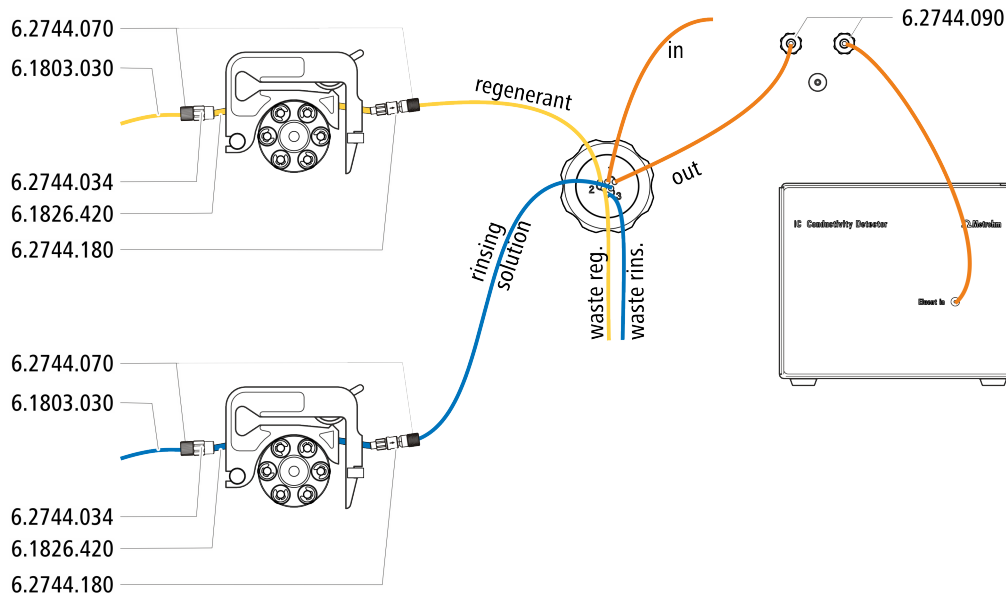
Recommended installation



Alternative installation

For the alternative installation, a second tubing cartridge (6.2755.000) is required that must be ordered separately with the following accessories:

- Tubing cartridge (6.2755.000)
- Coupling olive/UNF 10/32 2x (6.2744.034)
- Pump tubing connection with locking nut and filter (6.2744.180)
- Pump tubing PharMed® (orange/yellow) 3 stoppers (6.1826.420)
- Glass bottle / 1000 mL / GL 45 (6.1608.020)
- Bottle cap / GL 45 - 3 × UNF 10/32 (6.1602.150)
- PTFE capillaries 0.5 mm inner diameter / 3 m (6.1803.030)



4.13.2.1 Installing the eluent path

The eluent path is connected with the capillaries *in* and *out*.

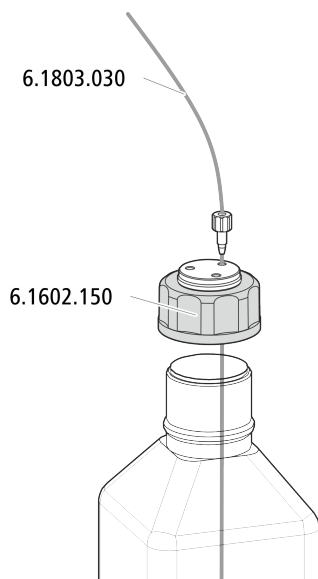
- 1 Connect the capillary labeled *in* to the exit of the separation column using a short pressure screw (6.2744.070).
- 2 Use a long pressure screw (6.2744.090) to connect the capillary labeled *out* to the inlet of the MCS (see chapter 4.15.2, page 49).

4.13.2.2 Installing bottles with auxiliary solutions

Accessories

To connect the bottles of the auxiliary solutions, you will need the following accessories:

- Accessories from the accessory kit: IC Vario/Flex SeS (6.5000.020)



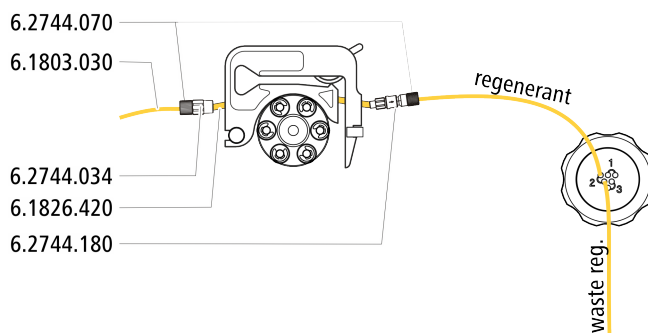
4.13.2.3 Connecting the regeneration solution

The regeneration solution is connected to the *regenerant* capillary.

Connecting the regeneration solution to the peristaltic pump

For this step, you need the following accessories:

- Accessory kit: Flex/Vario: SeS (6.5000.020)
- Pump tubing (6.1826.420)
- Tubing olive with filter and locking nut (6.2744.180)
- Tubing olive (6.2744.034)
- Tubing cartridge of the peristaltic pump



- 1** Prepare a tubing cartridge of the peristaltic pump for the regeneration solution (*see chapter 4.14.1, page 42*).
- 2** Connect the capillary labeled *regenerant* to the exit of the pump tubing using a pressure screw (6.2744.070).
- 3** Connect the PTFE capillary from the regeneration solution bottle to the inlet of the pump tubing.

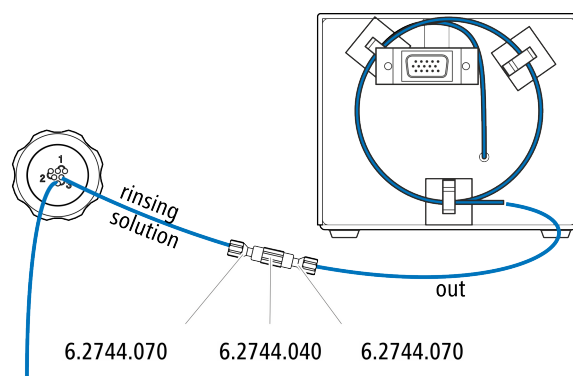
4.13.2.4 Connecting the rinsing solution

Various possibilities exist for rinsing the Metrohm Suppressor Module:

- Rinsing solution via STREAM (recommended)
Use the eluent from the conductivity detector as rinsing solution.
- Rinsing solution via peristaltic pump
Prepare the rinsing solution in a separate bottle and convey it with the peristaltic pump.

The rinsing solution is connected to the *rinsing solution* capillary.

Connecting the rinsing solution inlet with STREAM



- 1 Connect the detector outlet capillary of the conductivity detector and the capillary labeled *rinsing solution* to each other using a coupling (6.2744.040) and two pressure screws (6.2744.070).



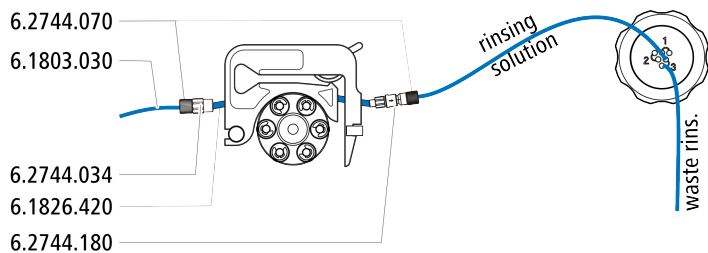
NOTE

The detector outlet capillary must not be shortened.

Connecting the rinsing solution inlet to the peristaltic pump

For this step, you need the following accessories: (not contained in its entirety in the standard accessories):

- Pump tubing (6.1826.420)
- Tubing olive with filter and locking nut (6.2744.180)
- Tubing olive (6.2744.034)
- Tubing cartridge (6.2755.000)
- 2 short pressure screws (6.2744.070)
- PTFE capillary (6.1803.030) (connected with the bottle with the rinsing solution)



- 1 Prepare a tubing cartridge of the peristaltic pump for the regeneration solution (see chapter 4.14.1, page 42).
- 2 Connect the capillary labeled *rinsing solution* to the exit of the pump tubing using a pressure screw (6.2744.070).
- 3 Connect the PTFE capillary from the rinsing solution bottle to the inlet of the pump tubing.

4.14 Peristaltic pump

4.14.1 Installing the peristaltic pump

Installing the pump tubing

Pump tubing can differ in terms of material, diameter and thus flow rate. Different pump tubing is used depending on the application.

Table 2 Pump tubings

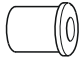
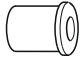
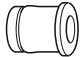
Order number	Name	Material	Inner diameter	Use
6.1826.310	Pump tubing LFL (orange/green), 3 stoppers	PVC (Tygon®)	0.38 mm	Pump tubing for bromate determination using the triiodide method.
6.1826.320	Pump tubing LFL (orange/yellow), 3 stoppers	PVC (Tygon®)	0.48 mm	For acceptor solutions for Inline Dialysis and for Inline Ultrafiltration.
6.1826.330	Pump tubing LFL (orange/white), 3 stoppers	PVC (Tygon®)	0.64 mm	No special applications.
6.1826.340	Pump tubing LFL (black/black), 3 stoppers	PVC (Tygon®)	0.76 mm	For sample solution in Inline Dialysis.
6.1826.360	Pump tubing LFL (white/white), 3 stoppers	PVC (Tygon®)	1.02 mm	For sample transfer.
6.1826.380	Pump tubing LFL (gray/gray), 3 stoppers	PVC (Tygon®)	1.25 mm	For Inline Dilution.

Order number	Name	Material	Inner diameter	Use
6.1826.390	Pump tubing LFL (yellow/yellow), 3 stoppers	PVC (Tygon®)	1.37 mm	For sample solution in Inline Ultrafiltration.
6.1826.420	Pump tubing PharMed® (orange/yellow), 3 stoppers	Ismaprene	0.51 mm	For suppressor solutions.

Selecting the pump tubing and adapter

- 1 Select pump tubing suitable for the application (*see table 2, page 42*).
- 2 Select an adapter suitable for the pump tubing. The adapters are included with the pump tubing connection with locking nut and filter (6.2744.180).

Table 3 Pump tubing and suitable adapters

Pump tubing	Adapter
6.1826.310 (orange/green)	
6.1826.320 (orange/yellow)	
6.1826.330 (orange/white)	
6.1826.340 (black/black)	
6.1826.360 (white/white)	
6.1826.380 (gray/gray)	
6.1826.390 (yellow/yellow)	
6.1826.420 (orange/yellow)	

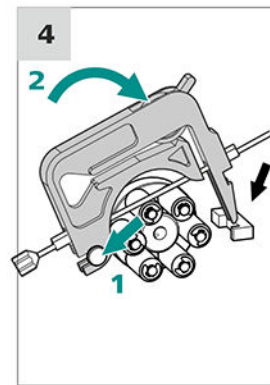
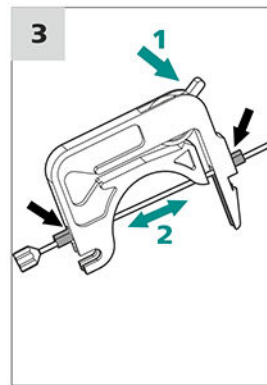
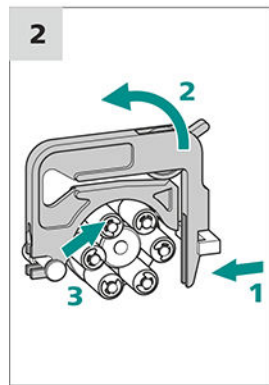
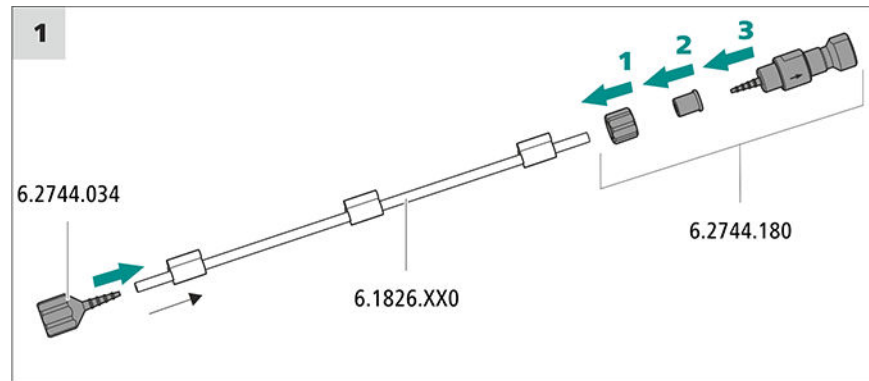
Installing the pump tubing

For this step, you need the following accessories:

- Tubing cartridge (6.2755.000)
- Pump tubing (6.1826.XXX)
- Coupling olive/UNF 10/32 (6.2744.034)



- Pump tubing connection with locking nut and filter (6.2744.180): Includes a locknut, 3 adapters and a tubing olive with filter holder.
- 2 × pressure screw, short (6.2744.070)



1 Connecting the pump tubing

- Attach the coupling olive/UNF 10/32 (6.2744.034) to the pump tubing inlet. Push the end of the pump tubing over at least the second notch of the olive so that the pump tubing is firmly in place.
- Assemble the pump tubing connection with locking nut and filter (6.2744.180) at the pump tubing exit:
 - Push the locknut onto the pump tubing.
 - Push the appropriate adapter onto the pump tubing.
 - Place the tubing olive with the filter holder into the pump tubing so that the pump tubing is firmly in place; push the end of the pump tubing over at least the second notch of the olive.
 - Tighten it using the union nut.

2 Removing the tubing cartridge

- Press in the tubing cartridge's snap-action lever.
- Tilt the tubing cartridge upwards.
- Unhook the tubing cartridge from the mounting bolt.

3 Inserting the pump tubing

- Press the tubing cartridge's contact pressure lever down all the way.
- Place the pump tubing in the tubing cartridge. Fit the tubing cartridge between two stoppers. The stoppers must snap into the corresponding holder of the tubing cartridge.

4 Inserting the tubing cartridge

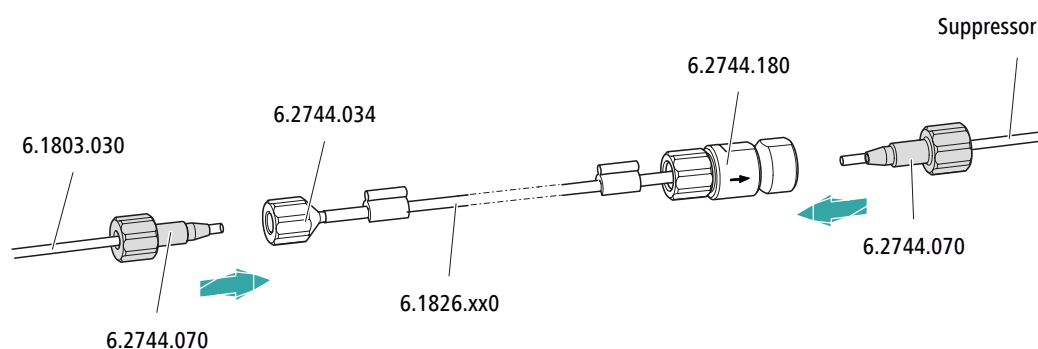
- Hang the tubing cartridge in the mounting bolt and press it in the cartridge holder until you hear the snap-action lever snap in.

Connecting capillaries for regeneration solution

Accessories

For this step, you need the following accessories:

- Aspiration capillary (6.1803.030)
- 2 × pressure screw, short (6.2744.070)



On the pump tubing's connect this accessory
Inlet	Tighten the aspiration tubing (6.1803.030) to the tubing olive (6.2744.034) using a pressure screw (6.2744.070).
Output	Tighten the regenerant suppressor capillary to the pump tubing connection with locking nut and filter (6.2744.180) using a pressure screw (6.2744.070).

Next steps

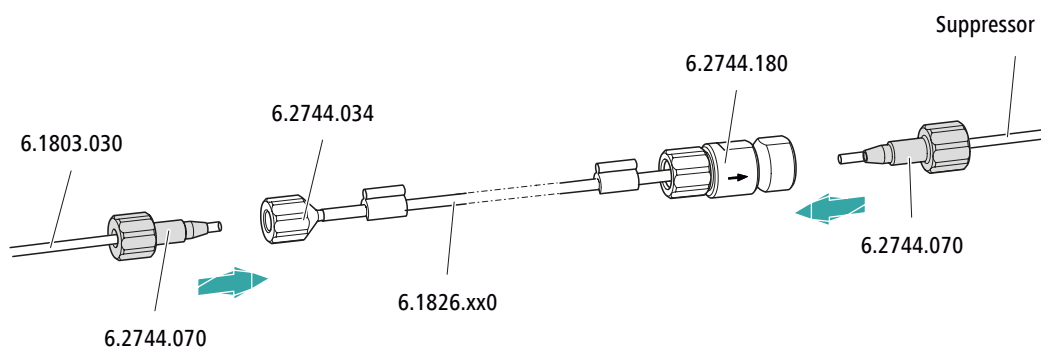
- Connect the loose end of the aspiration capillary to the bottle with the regeneration solution.

Connecting capillaries for rinsing solution (as an alternative to STREAM)

Accessories

For this step, you need the following accessories:

- Aspiration capillary (6.1803.030)
- 2 × pressure screw, short (6.2744.070)



On the pump tubing's connect this accessory
Inlet	Tighten the aspiration tubing (6.1803.030) to the tubing olive (6.2744.034) using a pressure screw (6.2744.070).
Output	Tighten the rinsing solution suppressor capillary to the pump tubing connection with locking nut and filter (6.2744.180) using a pressure screw (6.2744.070).

- Next steps*
- Connect the loose end of the aspiration capillary to the bottle with the rinsing solution.

Setting the flow rate

The flow rate of the peristaltic pump depends on many factors:

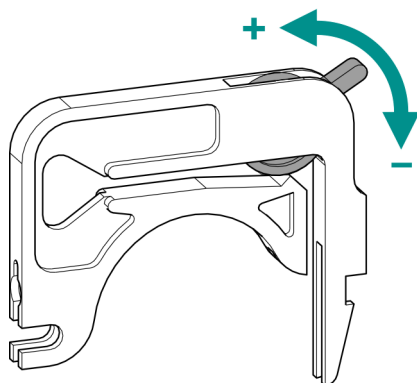
- The inner diameter of the pump tubing
- The rotational speed of the drive
- The contact pressure of the tubing cartridge



NOTE

Pieces of pump tubing are consumables. The service life of the pump tubing depends on the contact pressure, among other factors.

Setting the contact pressure correctly



- 1
 - Fully loosen the contact pressure lever , i.e. press it all the way down.
 - In the software, activate the drive of the peristaltic pump with the desired speed.
 - Raise the contact pressure lever one step at a time until liquid flows.
 - When liquid starts flowing, raise the contact pressure lever by an additional two ratchet increments.

The contact pressure is now set optimally.

4.14.2 Mode of operation for the peristaltic pump

The peristaltic pump is used for pumping sample and auxiliary solutions. It can rotate in both directions.

The peristaltic pump pumps liquids based on the displacement principle. The pump tubing is clamped between the rollers (14-5) and the tubing cartridge (14-2). During operation, the peristaltic pump drive rotates the roller hub (14-6), so that the rollers (14-5) advance the liquid in the pump tubing.

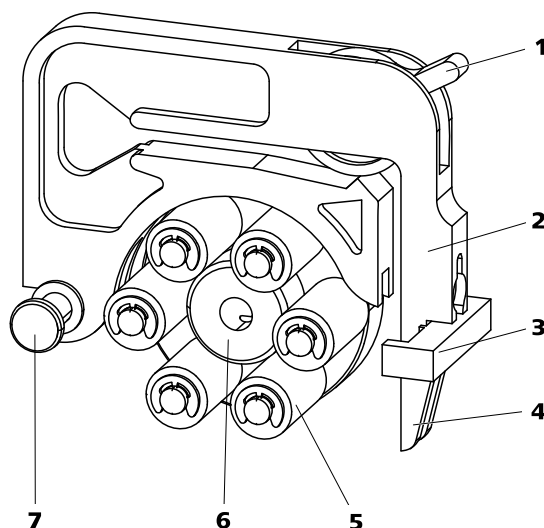


Figure 14 Peristaltic pump

1	Contact pressure lever	2	Tubing cartridge (6.2755.000)
3	Cartridge holder	4	Snap-action lever
5	Rollers	6	Roller hub
7	Mounting bolt		

4.15 Metrohm CO₂ Suppressor (MCS)

4.15.1 General information on the MCS



NOTE

The Metrohm CO₂ Suppressor (MCS) is used only in conjunction with conductivity detection with chemical suppression.

The Metrohm CO₂ Suppressor (MCS) removes the CO₂ from the eluent stream. This lowers the background conductivity, improves detection sensitivity and minimizes the injection peak and carbonate peak.

CO₂ can enter the eluent flow through the sample itself or can develop due to the suppression reaction in the suppressor. Connecting the MCS between the suppressor and detector minimizes the carbonate peak in the chromatogram.

The MCS essentially consists of a degassing cell containing a capillary made from a fluoropolymer membrane. The capillary is permeable to gases. The degassing cell is connected to the vacuum pump. In the degassing cell, the eluent is directed through the capillary made of a fluoropolymer membrane. At the same time, the vacuum pump generates a vacuum and draws in the air from the outside. The pressure and con-

centration difference this creates in the degassing cell relative to inside the capillary causes the CO₂ to be diffused out of the eluent flow. The ambient air is drawn in by the CO₂ Absorber to filter out the CO₂ from the air.

4.15.2 Connecting the MCS

The MCS is connected between the Metrohm Suppressor Module (MSM) and the conductivity detector.

Connecting the MCS

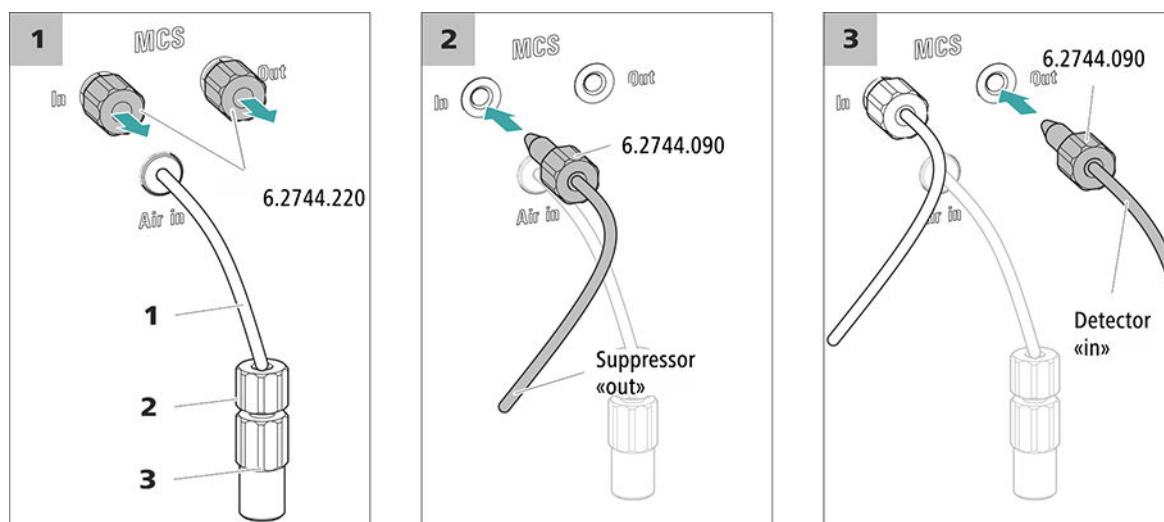


Figure 15 Connecting the MCS

1 Air aspiration capillary

For aspirating air with low CO₂ content (via the CO₂ Absorber).

2 Pressure screw, short (6.2744.070)

Installed on the air aspiration capillary.

3 Luer coupling (6.2744.120)

Mounted on the air aspiration capillary with a pressure screw (6.2744.070).

1 Removing the threaded stoppers

Remove and keep the two threaded stoppers (6.2744.220) from the inlet and outlet of the MCS.

2 Connection from the suppressor

Use a long pressure screw (6.2744.090) to connect the capillary of the MSM labeled **out** to the input of the MCS (labeled **In**).



3 Connection to the detector

Connect the inlet capillary of the conductivity detector with a long pressure screw (6.2744.090) to the MCS outlet (labeled **Out**).



CAUTION

If the MCS is not used, then the inlet and outlet must be sealed with the threaded stoppers (6.2744.220).

4.15.3 Installing the CO₂ Absorber

The aspirated air must have the lowest CO₂ content possible in order for the CO₂ to be removed from the eluent efficiently. In order to achieve this, the air is aspirated through the CO₂ Absorber (6.2837.100).

Accessories

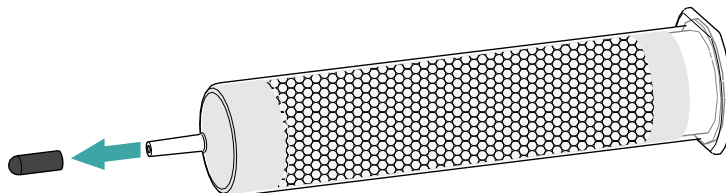
For this step, the following accessories are required:

- CO₂ Absorber (6.2837.100)
The CO₂ Absorber is in the accessory kit: Vario/Flex SeS (6.5000.020).

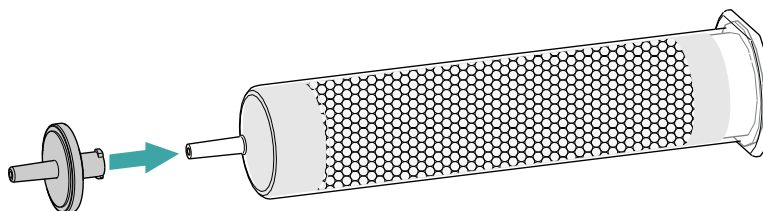
Preparing the CO₂ Absorber

Prepare the CO₂ Absorber for use as follows:

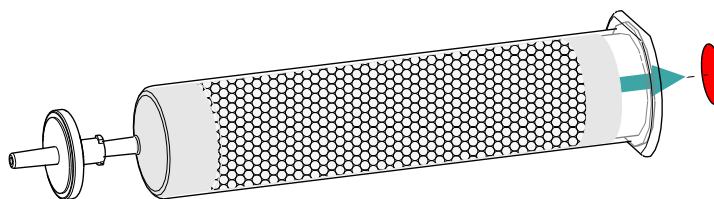
- 1 Remove the protective cap from the tip of the CO₂ Absorber.



- 2 Attach the dust filter to the tip of the CO₂ Absorber.



- 3 Remove the label from the lid of the CO₂ Absorber.



As a result, the small opening in the lid of the CO₂ Absorber is opened, through which the air is then aspirated.

The CO₂ Absorber is now ready for installation.



NOTE

The new CO₂ Absorber (6.2837.100) works **without** upstream H₂O adsorber cartridge.

Installing the CO₂ Absorber

Accessories

- Prepared CO₂ Absorber (6.2837.100)



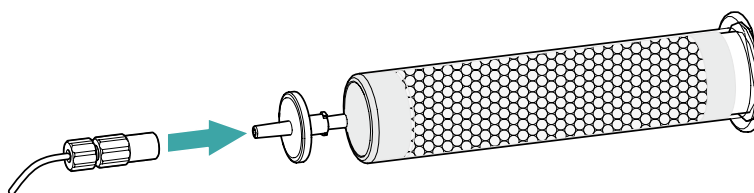
CAUTION

The following preparatory steps absolutely must be carried out for CO₂ suppression to operate correctly.

Install the CO₂ Absorber as follows:

1 Connecting the CO₂ Absorber

Attach the capillary connected to the Metrohm CO₂ Suppressor's (MCS) **Air in** connector to the tip of the CO₂ Absorber.



2 Placing the CO₂ Absorber in the instrument

- Place the CO₂ Absorber into the instrument's detector chamber.

4.16 Installing the conductivity detector

The 940 Professional IC Vario provides enough space for two detectors and additional accessories in the detector chamber. The detectors are available as separate devices and are supplied with separate manuals.

Placing the detector in the instrument

Follow the instructions in the chapter *Inserting the detector* in the manual for the detector.

Connecting the detector to the eluent path



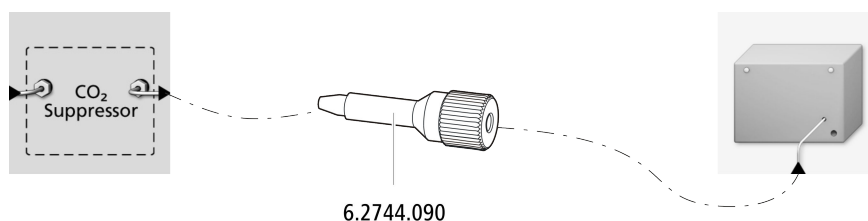
NOTE

The separation column is not inserted into the instrument until it is being started up for the first time. Until then, the detector inlet capillary has to be connected to the *out* outlet of the MCS using a long pressure screw (6.2744.090).

Accessories

For this step, you need the following accessories:

- Pressure screw, long (6.2744.090)



- 1 Tighten the detector inlet capillary to the *Out* outlet of the MCS using a long pressure screw (6.2744.090).

4.17 Installing the amperometric detector

The 940 Professional IC Vario provides enough space for two detectors and additional accessories in the detector chamber. The detectors are available as separate devices and are supplied with separate manuals.

Placing the detector in the instrument

Follow the instructions in the chapter *Inserting the detector* in the manual for the detector.

4.18 Connecting the sample degasser (optional)

Gas bubbles in the sample lead to poor reproducibility, as the amount of sample in the sample loop is not always the same. Therefore, we recommend degassing samples that contain gas before injection.



NOTE

The sample degasser does not have to be connected. We recommend only using the sample degasser if the application requires it.

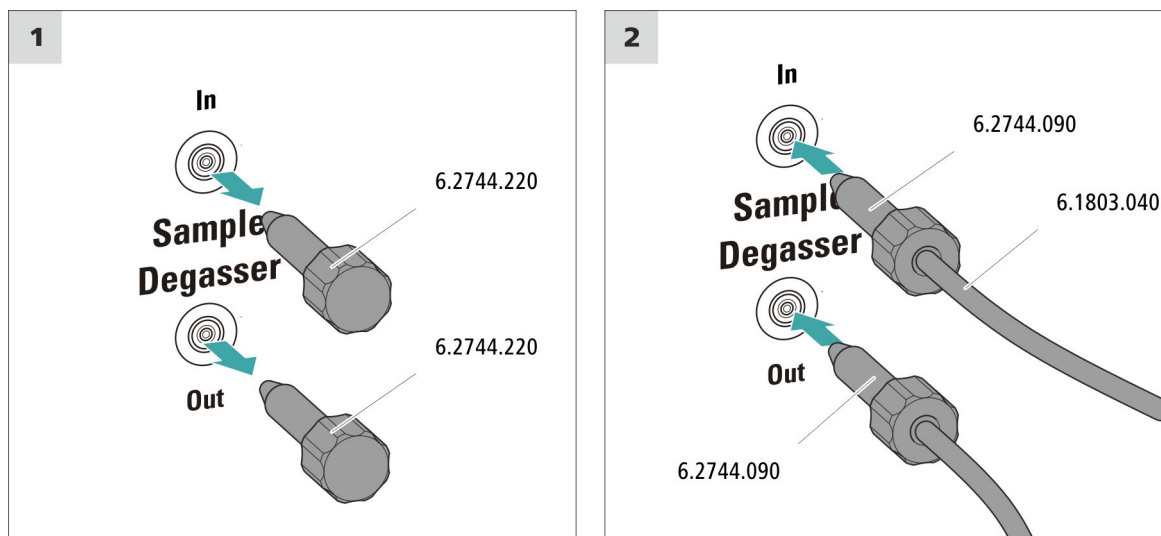
The rinsing time increases by at least two minutes when the sample degasser is connected.

Accessories

For this step, you need the following accessories:

- 2 × pressure screw, long (6.2744.090)
- PTFE capillary (6.1803.040)

Connecting the sample degasser



CAUTION

If the sample degasser is not used, the inlet and outlet **must** be sealed with threaded stoppers (6.2744.220).

1 Removing the threaded stoppers

Remove and keep the threaded stoppers (6.2744.220) from the inlet and outlet of the sample degasser.

2 Connecting the outlet capillary

- Push a long pressure screw over the loose end of the capillary connected to Port 1 of the injection valve.
- Tighten the pressure screw to the outlet of the sample degasser (labeled **Out**).

Try to ensure the shortest possible connections (shorten the capillary if necessary).

3 Connecting the inlet capillary

- Push a long pressure screw over one end of the PTFE capillary (6.1803.040) and tighten the pressure screw to the inlet of the sample degasser (labeled **In**).

- Guide the other end of the PTFE capillary (6.1803.040) out of the instrument through a capillary feed-through and connect it to the Sample Processor, if applicable.
Try to ensure the shortest possible connections (shorten the capillary if necessary).

4.19 Sample preparation module (SPM)

4.19.1 General information on the SPM

The SPM consists of a total of three neutralization units, which are used for sample preparation, then regenerated and finally rinsed in rotation.

The SPM can be used for the following purposes (as well as others):

- For cation exchange before the sample is injected.
- For neutralizing a sample.

You can find more information on these preparation techniques in the "Metrohm Inline Sample Preparation (MISP)" brochure (available on the Internet at documents.metrohm.com by searching for "MISP").

4.19.2 Connecting the sample preparation module (SPM)

The three entries and exits of the suppressor units, numbered 1, 2 and 3 on the connecting piece, each have two permanently installed PTFE capillaries.

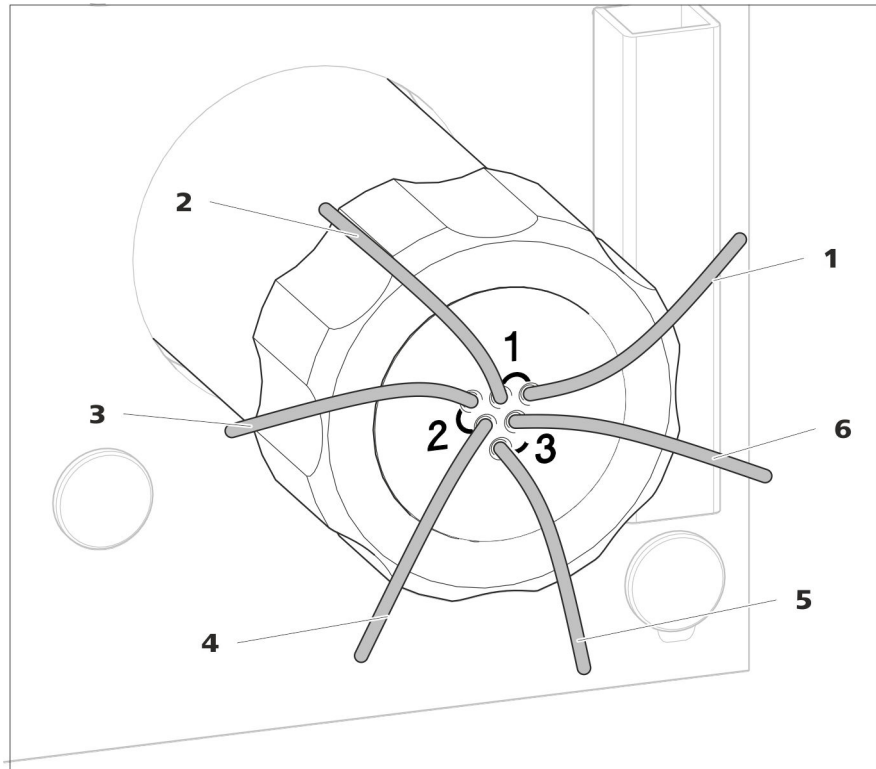


Figure 16 SPM – Connection capillaries

1 out Outlet capillary for the sample.	2 in Inlet capillary for the sample.
3 regenerant Inlet capillary for the regeneration solution.	4 waste reg. Outlet capillary for the regeneration solution; to the waste container.
5 waste rins. Outlet capillary for the rinsing solution; to the waste container.	6 rinsing solution Inlet capillary for the rinsing solution.

Connect the PTFE capillaries of the connecting piece to the other components of the IC system as follows:

Connecting the capillaries of the SPM



NOTE

Pump tubing connections with locking nut and filter (6.2744.180) have to be installed on the outlet of the peristaltic pump's pump tubing in order to protect the SPM from foreign particles and bacterial growth.

**CAUTION**

As the PTFE capillaries are very soft, the pressure screws should not be overtightened.

Pinched capillary ends can be shortened with the capillary cutter (6.2621.080).

Connect the SPM capillary to using this accessory
in	Sample Processor or	(see manual for the Sample Processor) or
	a 6-port valve used for measuring the sample amount.	6.2744.010
out	Sample inlet of the injection valve	6.2744.010
rinsing solution	Pump tubing outlet for rinsing solution	Pressure screw (6.2744.070)
regenerant	Pump tubing outlet for regeneration solution	Pressure screw (6.2744.070)
waste rins.	Waste container	Directly or via waste collector (6.5336.000)
waste reg.	Waste container	Directly or via waste collector (6.5336.000)

1 Connecting the sample inlet capillary

- Connect the capillary labeled *in* to the Sample Processor using a short pressure screw (6.2744.070).
or, if a 6-port valve is used for measuring the sample amount:
- Connect the capillary labeled *in* to the 6-port valve using a pressure screw (6.2744.010).

2 Connecting the sample outlet capillary

- Connect the capillary labeled *out* with the sample inlet of the injection valve.

3 Connecting the rinsing solution inlet capillary

- Fasten the capillary labeled *rinsing solution* to the pump tubing connection carrying the rinsing solution using a short pressure screw (6.2744.070).



4 Connecting the rinsing solution outlet capillary

- Fasten the capillary labeled *waste rins.* to the waste collector. You can find information on installing the waste collector in the leaflet accompanying the IC equipment: Waste Collector (6.5336.000).
- Alternative: Direct the capillary labeled *waste rins.* into a sufficiently sized waste container and fasten it in place there.

5 Connecting the regeneration solution inlet capillary

- Fasten the capillary labeled *regenerant* to the pump tubing connection carrying the regeneration solution using a short pressure screw (6.2744.070).

6 Connecting the regeneration solution outlet capillary

- Fasten the capillary labeled *waste reg.* to the waste collector (6.5336.000). You can find information on installing the waste collector in the leaflet accompanying the IC equipment: Waste Collector (6.5336.000).
- Alternative: Direct the capillary labeled *waste reg.* into a sufficiently sized waste container and fasten it in place there.

4.20 Connecting the instrument to a computer



NOTE

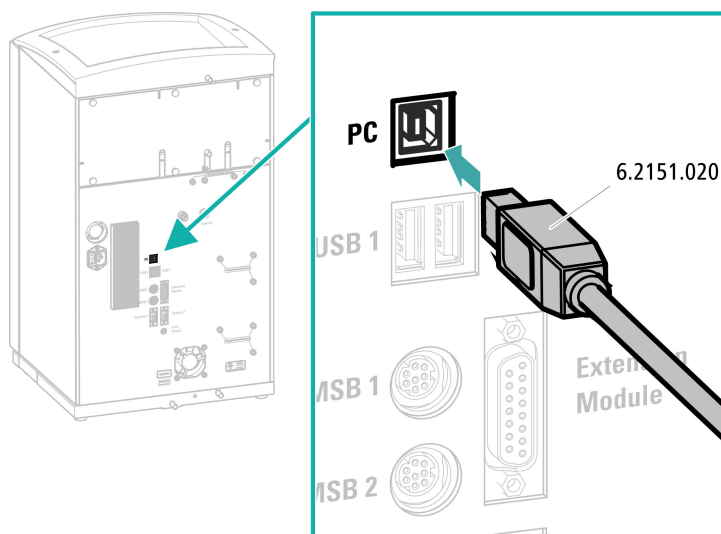
If the instrument is connected to the computer, then it must be switched off.

Accessories

For this step, you need the following accessories:

- USB connecting cable (6.2151.020)

Connecting the USB cable



- 1 Insert the USB cable into the connection socket on the rear of the instrument labeled *PC*.
- 2 Insert the other end into a USB port on the computer.

4.21 Connecting the instrument to the power grid



WARNING

Electric shock from electrical potential

Risk of injury by touching live components or through moisture on live parts.

- Never open the housing of the instrument while the power cord is still connected.
- Protect live parts (e.g. power supply unit, power cord, connection sockets) against moisture.
- Unplug the power plug immediately if you suspect that moisture has gotten inside the instrument.
- Only personnel who have been issued Metrohm qualifications may perform service and repair work on electrical and electronic parts.

Connecting the power cord

Accessories

Power cord with the following specifications:

- Length: max. 2 m
- Number of cores: 3, with protective conductor
- Instrument plug: IEC 60320 type C13
- Conductor cross-section 3x min. 0.75 mm² / 18 AWG
- Power plug:
 - according to customer requirement (6.2122.XX0)
 - min. 10 A



NOTE

Do not use a not permitted power cord!

1 Plugging in the power cord

- Plug the power cord into the instrument's power socket.
- Connect the power cord to the power grid.

4.22 Initial start-up

Even before the guard column and separation column are installed, the entire system must be completely rinsed with eluent for the first time.

Rinsing the IC system



CAUTION

The separation column and the guard column are not permitted to be installed at the time of the initial start-up.

Make sure that a coupling (6.2744.040) is being used instead of the columns.

1 Preparing the software

- Start the **MagIC Net** computer program.
- Open the **Equilibration** tab in MagIC Net: **Workplace ► Run ► Equilibration**.
- Import (or create) a suitable method.
Also see: *MagIC Net Tutorial* and online help.

2 Preparing the instrument

- Ensure that the eluent aspiration tubing is immersed in the eluent and that there is enough eluent in the eluent bottle.

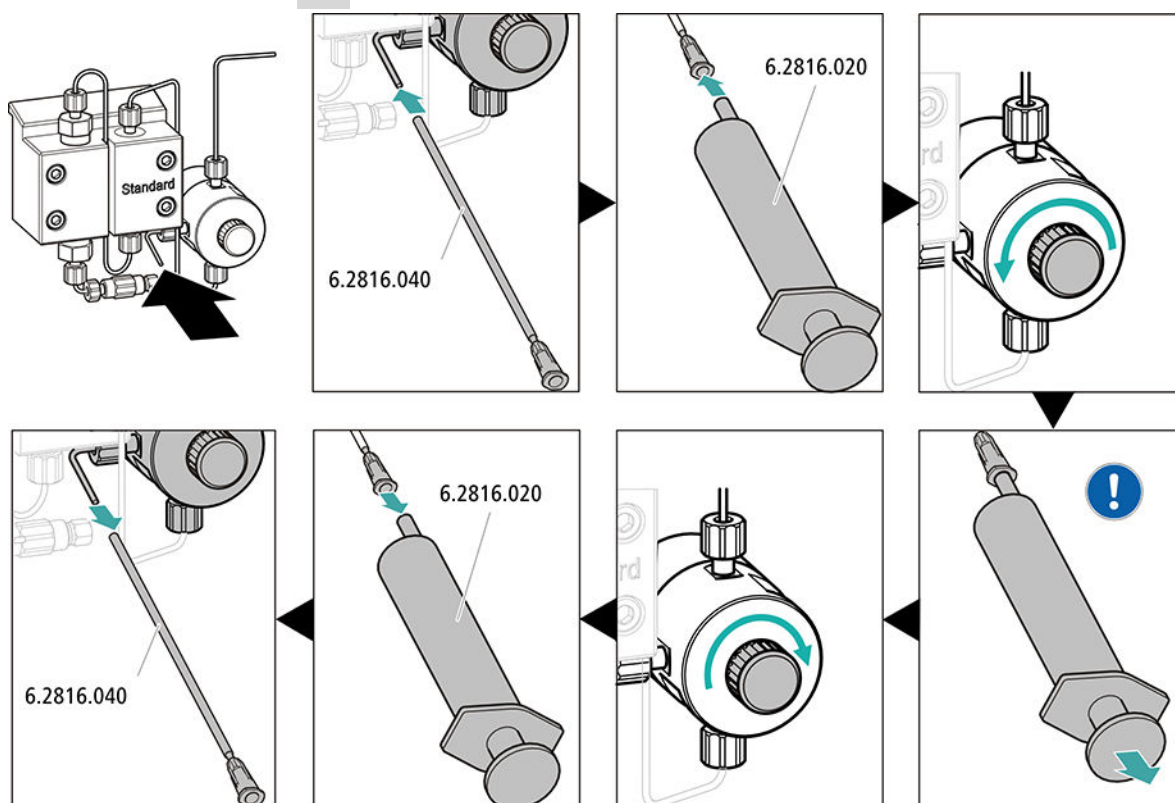
- – STREAM method (recommended): Ensure that the aspiration tubing for the regeneration solution is immersed in the solution and that there is enough solution. Check whether the detector outlet capillary is connected to the Metrohm Suppressor Module (MSM)'s inlet capillary for rinsing solution (labeled *rinsing solution*).
- Alternatively, if 2 bottles are being used for rinsing and regeneration: Ensure that the aspiration tubings for the auxiliary solutions (regeneration solution and rinsing solution) are immersed in the respective solutions and that there is enough solution in both bottles. Check whether the detector outlet capillary is guided into the waste container or is connected with the waste collector.
- Switch on the instrument.

MagIC Net detects the instrument and all of its modules.

3 Starting the equilibration

- Start the equilibration in MagIC Net: **Workplace ► Run ► Equilibration ► Start HW.**

4 Deaerating the high-pressure pump





- Push the end of the purge needle (6.2816.040) over the end of the purge capillary on the purge valve.
- Insert the syringe (6.2816.020) in the Luer connector of the purge needle.
- Open the purge valve using the rotary knob (approx. ½ turn).
- Switch on the high-pressure pump in MagIC Net.
- Use the syringe to aspirate eluent until there are no more air bubbles in the eluent aspiration tubing.
- Switch off the high-pressure pump in MagIC Net.
- Seal the purge valve using the rotary knob.
- Remove the syringe from the purge needle.
- Pull the purge needle out of the purge capillary.

5 Adjusting the contact pressure of the peristaltic pump

- Adjust the contact pressure of the peristaltic pump (see "Setting the contact pressure correctly", page 47).

6 Rinsing the instrument without columns

- Rinse the instrument (without columns) with eluent for 10 minutes.

4.23 Connecting and rinsing the guard column

Guard columns protect separation columns and significantly increase their service life. The guard columns available from Metrohm are either actual guard columns or guard column cartridges used together with a cartridge holder. The process of installing a guard column cartridge into the corresponding holder is described in the cartridge leaflet.



NOTE

Metrohm recommends always working with guard columns. Guard columns protect the separation columns and can be replaced regularly as needed.

**NOTE**

Information regarding which guard column is suitable for your separation column can be found in the **Metrohm Column Program** (which is available from your regional Metrohm representative), the column leaflet and the product information or in consultation with your regional Metrohm representative.

You can find product information for your separation column at <http://www.metrohm.com> in the Ion Chromatography product area.

**CAUTION**

New guard columns are filled with solution and sealed with stoppers or caps on both sides.

Before inserting the guard column, ensure that this solution can be mixed with the eluent being used (follow the manufacturer specification).

**NOTE**

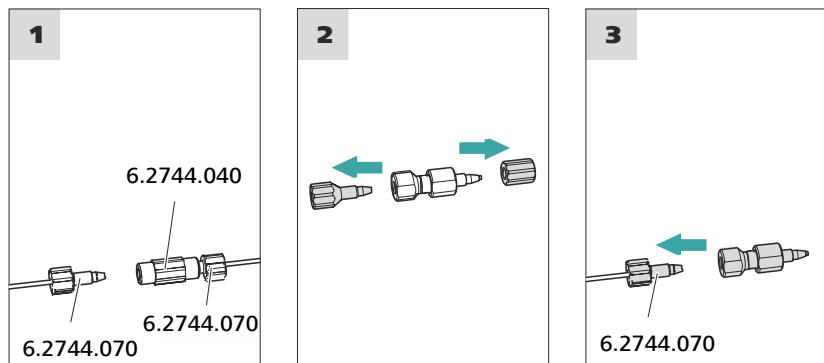
Do not connect the guard column until after the initial start-up of the instrument (*see chapter 4.22, page 60*). Until then, replace the guard column and the separation column with couplings (6.2744.040).

Accessories

For this step, you need the following accessories:

- Guard column (suitable for separation column)

Connecting the guard column



1 Removing the coupling

Remove the coupling (6.2744.040) installed between the column inlet capillary and the column outlet capillary for the initial start-up.

2 Preparing the guard column

- Remove the stoppers or the stopper and the sealing cap from the guard column.

3 Connecting the guard column



CAUTION

When inserting the guard column, ensure that it is inserted correctly based on the marked flow direction (if specified).

- Fasten the inlet of the guard column to the column inlet capillary using a short pressure screw (6.2744.070).
- If the guard column is connected to the separation column using a connection capillary, fasten this connection capillary to the guard column outlet with a pressure screw.

Rinsing the guard column

1 Rinsing the guard column

- Place a beaker under the guard column's outlet.
- Start manual control in MagIC Net and select the high-pressure pump: **Manual ► Manual control ► Pump**
 - Flow:** in accordance with column leaflet
 - On**

- Rinse the guard column with eluent for approx. 5 minutes.
- Stop the high-pressure pump in the manual control in MagIC Net again: **Off**.

4.24 Connecting and rinsing the separation column

The smart separation column (iColumn) is the heart of ion chromatographic analysis. It separates the different components according to their interactions with the column. Metrohm separation columns are equipped with a chip where their technical specifications and history (start-up, operating hours, injections etc) are stored.



NOTE

Information regarding which separation column is suitable for your application can be found in the **Metrohm Column Program**, the product information for the separation column or it can be obtained from your regional Metrohm representative.

You can find product information for your separation column at <http://www.metrohm.com> in the Ion Chromatography product area.

A test chromatogram accompanies every column. The column leaflet can be found online at <http://www.metrohm.com> with the corresponding article. Detailed information on special IC applications can be found in the corresponding **Application Bulletins** or **Application Notes**. You can find these online at <http://www.metrohm.com> in the Applications area or request them free of charge from your responsible regional Metrohm representative.



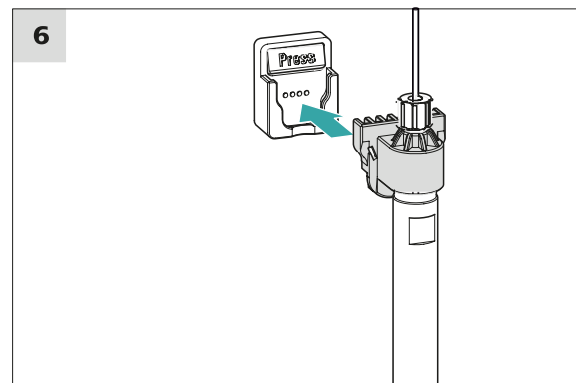
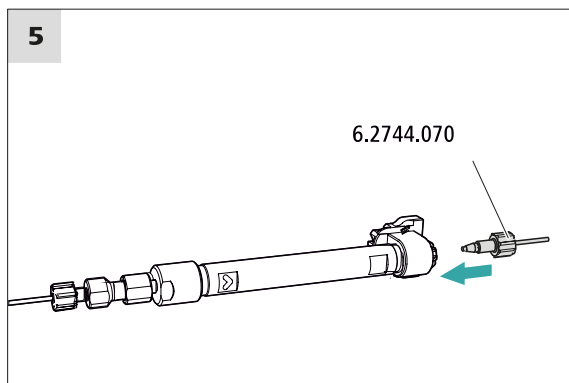
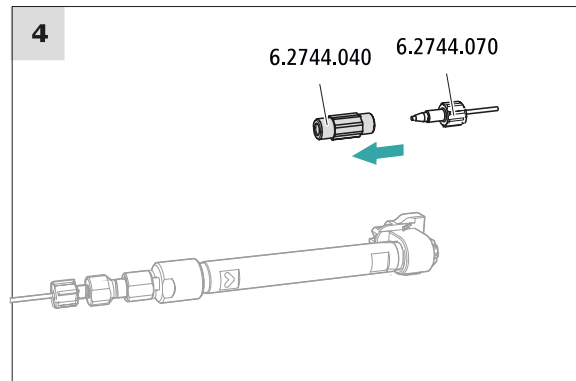
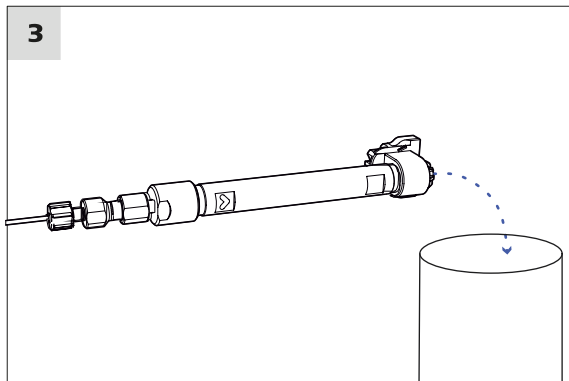
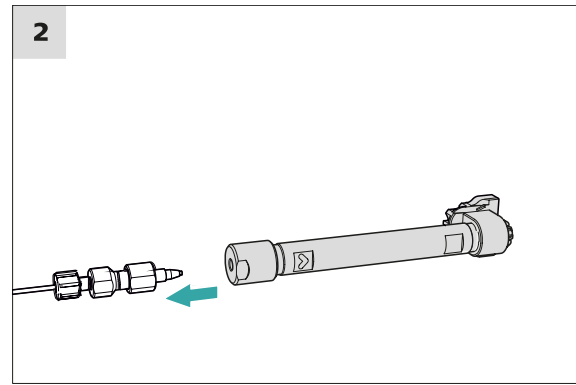
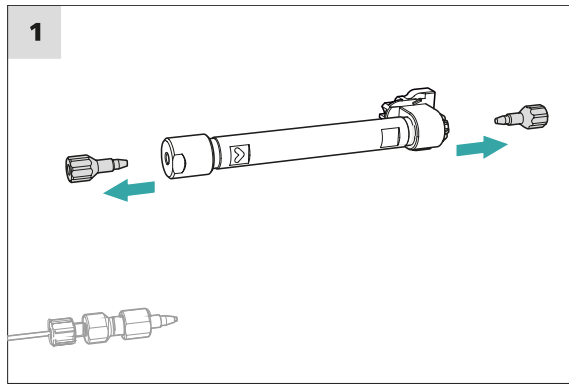
CAUTION

New IC Columns are filled with solution and sealed with stoppers on both sides. Before inserting the column, ensure that this solution can be mixed with the eluent being used (follow the information provided by the manufacturer).



NOTE

Connect the separation column only after the initial start-up of the instrument. Until that point, insert a coupling (6.2744.040) instead of the guard column and separation column.



Connecting the separation column

1 Removing the stoppers

- Remove the stoppers from the separation column.

2 Installing the inlet of the separation column



CAUTION

When inserting the column, ensure that it is inserted correctly based on the marked flow direction.

There are 3 possibilities:

- Attach the column inlet directly onto the guard column or,
- if the guard column is connected to the separation column using a connection capillary: Connect the column inlet to the guard column outlet capillary using a PEEK pressure screw (6.2744.070) or,
- if no guard column is used (not recommended): Connect the column inlet capillary to the inlet of the separation column using a short pressure screw (6.2744.070).

3 Rinsing the separation column

- Place a beaker under the outlet of the separation column.
- Start manual control in MagIC Net and select the high-pressure pump: **Manual ► Manual control ► Pump**
 - **Flow:** Increase gradually up to the flow rate recommended in the column leaflet.
 - **On**
- Rinse the separation column with eluent for approx. 10 minutes.
- Stop the high-pressure pump in the manual control in MagIC Net again: **Off**.

4 Removing the coupling

- Remove the coupling (6.2744.040) from the column outlet capillary.

5 Installing the outlet of the separation column

- Fasten the column outlet capillary to the column outlet using a short PEEK pressure screw (6.2744.070).

6 Inserting the separation column

- Insert the separation column with the chip into the column holder until you hear it snap in place.

The separation column is now detected by MagIC Net.

- Visually inspect whether all capillaries and their connections from the high-pressure pump to the detector are leak-tight. If eluent is leaking out anywhere, tighten the corresponding pressure screw further, or loosen the pressure screw, check the end of the capillary and shorten it using the capillary cutter if necessary and retighten the pressure screw.

4 Conditioning the system

Continue rinsing the system with eluent until the desired stability level for the baseline has been attained .

The instrument is now ready for measuring samples.

5 Operation

The 940 Professional IC Vario ONE/SeS/PP/Prep 3 is operated solely using the MagIC Net software. You can find information on operating the software in the tutorial for MagIC Net or in the online help.

6 Operation and maintenance

6.1 IC system

6.1.1 Operation

In order to avoid disruptive temperature influences, protect the analysis system, including the eluent bottle, from direct sunlight.

6.1.2 Care

The instrument requires appropriate care. Excess contamination of the instrument results in malfunctions and a reduction in the service life of the sturdy mechanical and electronic components.

The instrument must be cleaned immediately if chemicals or solvents are spilled on it. In particular, the plug connections (particularly the power plug) must be protected against contamination.



CAUTION

The instrument has been designed so that liquid is largely prevented from being able to get inside the instrument. However, unplug the power plug immediately if you suspect that corrosive media have gotten inside the instrument. This is the only way to prevent extreme damage to the instrument electronics. Notify Metrohm Service.



WARNING

Electric shock caused by live parts

Never open the housing of the instrument.

Only trained personnel are permitted to open the housing of the instrument.

6.1.3 Maintenance by Metrohm Service

Maintenance of the instrument is best carried out as part of an annual service performed by specialist personnel from Metrohm. A shorter maintenance interval is recommended if you frequently work with caustic and corrosive chemicals. Metrohm Service offers every form of technical advice for maintenance and service of all Metrohm instruments.

6.2 Capillary connections

All capillary connections between the injection valve, the separation column and the detector must be as short as possible, have a low dead volume and be completely leak-tight.

The PEEK capillary downstream of the detector must be free of blockages.

Use only PEEK capillaries with an inner diameter of 0.25 mm between the high-pressure pump and the detector (high-pressure section).

6.3 Servicing the door



CAUTION

The door is made of PMMA (poly(methyl methacrylate)). It must never be cleaned with abrasive media or solvents.



CAUTION

Never hold the instrument by the door when lifting it. Only hold the instrument by the housing.

6.4 Column thermostat – Replacing the capillaries

There are two preheating grooves on both of the column thermostat's side walls, where the column inlet capillary has already been inserted and fastened in place with a holder plate.

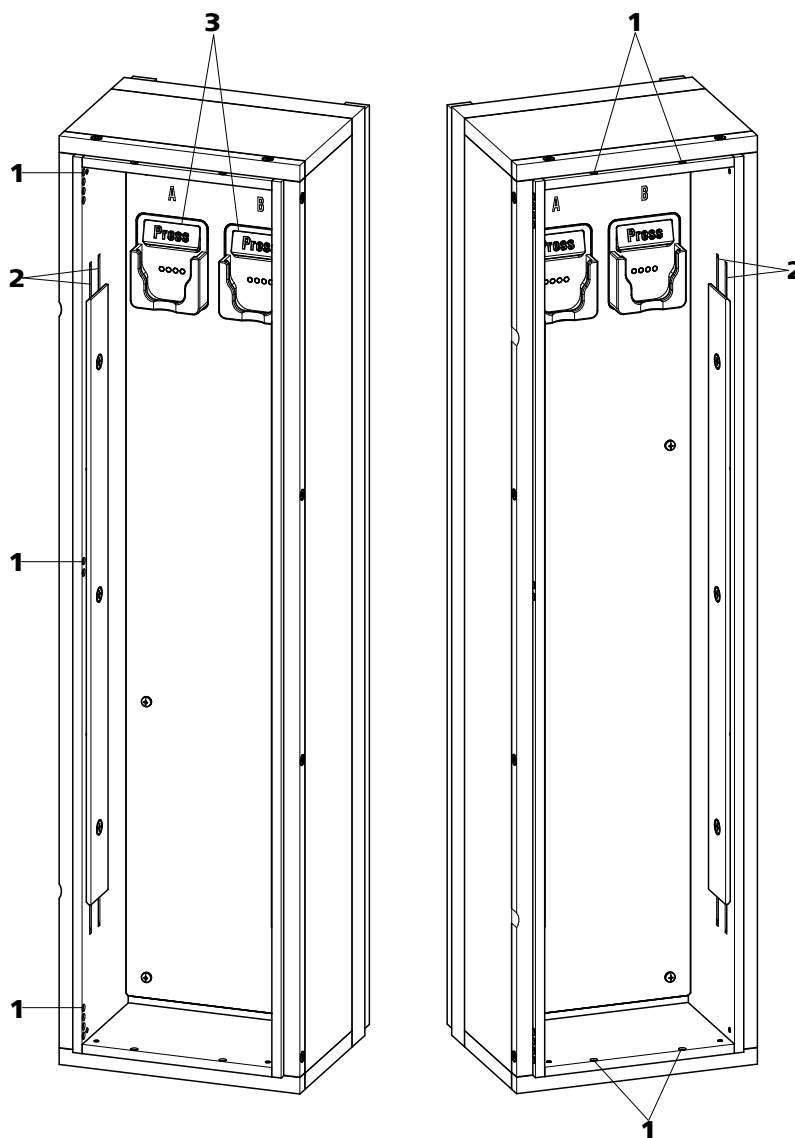


Figure 17 Column thermostat

1 Openings

For feeding capillaries into and out of the instrument.

2 Preheating grooves

For regulating the temperature of the eluent.

3 Column holder

With column recognition. For fastening the column.

Replacing the preheating capillaries

In order to make threading the column inlet capillary into the column oven's preheating grooves easier, Metrohm recommends loosening the screws for the holder plate a little, but not removing them all the way.

- 1 Guide the column inlet capillary into the column thermostat via a suitable opening (17-1).
- 2 Push the column inlet capillary into the outer preheating groove (17-2) from the bottom. Continue pushing it through under the holder plate until it comes back out the top.
- 3 Carefully bend the column inlet capillary downward and push it through the inner preheating groove until it comes out at the bottom edge of the holder plate.

6.5 Handling the eluent

Careful handling of the eluent ensures stable analysis results. Keep the following general measures in mind when handling the eluent:

- The supply bottle with the eluent must be connected as indicated in *chapter 4.7, page 25*. This is particularly important for eluents with volatile solvents (e.g. acetone).
- Avoid condensation in the eluent bottle. Drop formation can change the concentration ratio in the eluent.
- In the case of very sensitive measurements, we recommend that the eluent be stirred constantly with a magnetic stirrer (e. g. the 2.801.0010 with 6.2070.000).
- To protect the IC system from foreign particles, we recommend aspirating the eluent via an aspiration filter (*see chapter 4.7, page 25*) (6.2821.090). This aspiration filter must be replaced as soon as it turns yellow but at least every 3 months.

6.5.1 Manufacturing eluent

Chemicals used for manufacturing eluents must have a purity grade of at least "p.a.". They may be diluted only by using ultrapure water (resistance > 18.2 M Ω *cm). (These specifications apply generally for all reagents used in ion chromatography.)

Newly manufactured eluents always need to be microfiltered (0.45 μ m filter).

Connecting the connecting tubing

- 1 ▪ Insert the clamping screws on the connector and screw them in by hand.
 - Tighten the clamping screws with the wrench.

6.7 Notes on operating the high-pressure pump



CAUTION

The pump head is filled ex works with methanol/ultrapure water. Ensure that the eluent used is miscible with this solvent.

Keep the following recommendations in mind in order to protect the high-pressure pump from damage as much as possible during operation:

- To protect the high-pressure pump from **foreign particles**, we recommend filtering the eluent through a filter with a pore size of 0.45 µm and aspirating it via an aspiration filter (6.2821.090).
- Ensure that no precipitates can form when changing the eluent. Salt crystals between the piston and seal cause abrasive particles that can find their way into the eluent. These particles lead to contaminated valves, an increase in pressure and, in extreme cases, scratched pistons and thus to leakages in the high-pressure pump. Immediately successive solutions must always be miscible. If the system must be rinsed with organic solvents, use several solvents with rising or falling lipophilicity.
- In order to protect the pump seals, ensure that the pump is never operated dry. Therefore ensure that the eluent supply is correctly connected and that there is enough eluent in the eluent bottle each time before turning on the pump.

6.8 Servicing the high-pressure pump



NOTE

You can find a video sequence for this task in the *Multimedia Guide IC Maintenance* or on the Internet at <http://ic-help.metrohm.com/>.

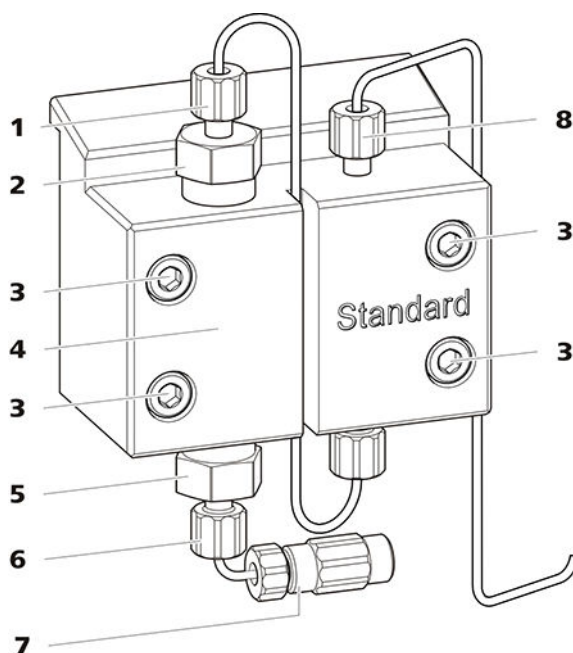


Figure 18 High-pressure pump – Parts

1	Pressure screw, short (6.2744.070) Fastened to the outlet valve holder.	2	Outlet valve holder
3	Fastening screw	4	Pump head
5	Inlet valve holder	6	Pressure screw, short (6.2744.070) Fastened to the inlet valve holder.
7	Eluent aspiration tubing connector Consists of a coupling with a pressure screw.	8	Pressure screw, short (6.2744.070) Fastened to the pump output.

Maintenance interval

The following parts of the high-pressure pump must be serviced at least once per year:

- Inlet valve (6.2824.170)
- Outlet valve (6.2824.160)
- Piston seal (6.2741.020)
- Zirconium oxide piston (6.2824.070)

Maintenance tasks can also be carried out if the following problems occur:

- Unstable baseline (pulsations, flow fluctuations)



CAUTION

Maintenance work on the high-pressure pump may not be carried out unless the **instrument is switched off**.

Recommended procedure

We recommend the following procedure for the maintenance of the pump head:

1. Service the inlet valve and the outlet valve.
2. Remove the pump head.
3. Service both pistons, one after the other.
 - a. Remove piston.
 - b. Dismantle the piston.
 - c. Replace the piston seal.
 - d. Replace the zirconium oxide piston.
 - e. Assemble the piston.
 - f. Insert the piston.
4. Reinstall the pump head.

You can find brief video sequences on the following maintenance steps on the Internet at <http://ic-help.metrohm.com/>.

Servicing the outlet valve and inlet valve

Accessories

For this step, you need the following accessories:

You can find these parts in the accessory kit: *Vario/Flex Basic* (6.5000.000).

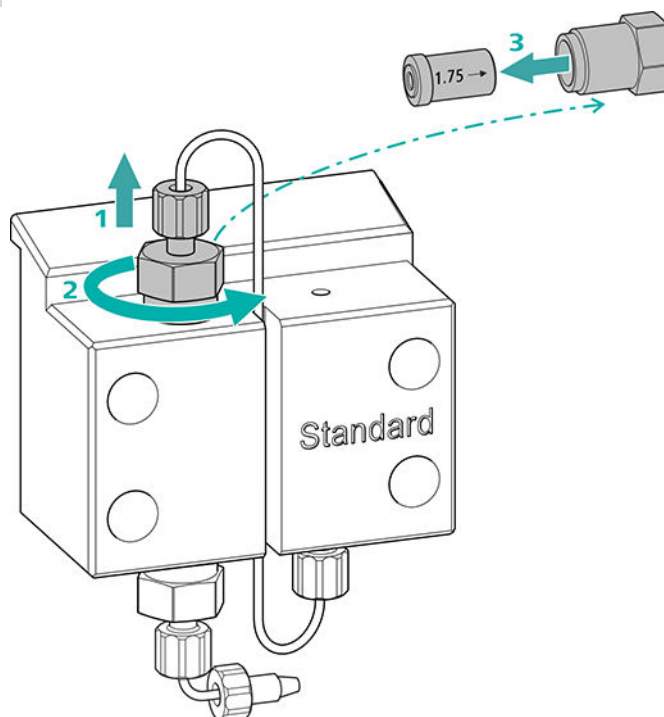
- Adjustable wrench (6.2621.000)

Cleaning the outlet valve

Spare parts

If the outlet valve cannot be cleaned, you will need a new outlet valve (6.2824.160) for this step.

1 Removing the outlet valve



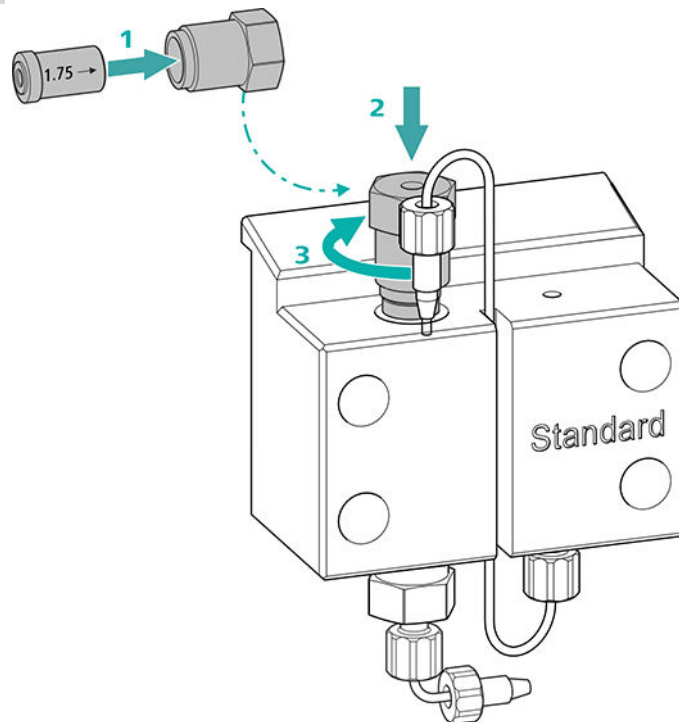
- Unscrew the connection capillary to the auxiliary piston from the outlet valve holder (18-2) (1).
- Start by loosening the outlet valve holder with the adjustable wrench and then unscrew it by hand (2) and remove it.
- Remove the outlet valve from the outlet valve holder (3).

2 Cleaning the outlet valve

- Start by rinsing the outlet valve in the direction of eluent flow using a wash bottle filled with ultrapure water, RBS™ solution or acetone. (The direction of eluent flow is marked on the valve by an arrow.)
The rinsing solution must come out at the valve exit.
If no more solution comes out, then the valve is blocked.
- Rinse the outlet valve in the direction opposite the eluent flow using a wash bottle filled with ultrapure water, RBS™ solution or acetone.
The rinsing solution may only come out at the valve exit.

The outlet valve must be replaced if it is still clogged after cleaning.

3 Reinserting the outlet valve into the pump head



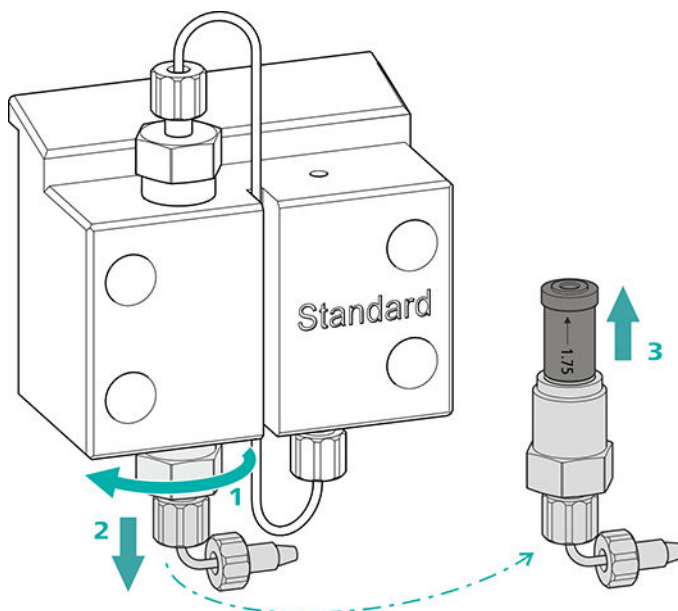
- Insert the outlet valve into the outlet valve holder (the seal must be visible) (1).
- Screw the outlet valve holder up into the pump head (2) and tighten it firmly by hand and then retighten it one additional $\frac{3}{4}$ turn using the adjustable wrench (3).
- Tighten the connection capillary to the auxiliary piston back onto the outlet valve holder.

Cleaning the inlet valve

Spare parts

If the inlet valve cannot be cleaned, you will need a new inlet valve (6.2824.170) for this step.

1 Removing the inlet valve



- Unscrew the connection capillary to the connection of the eluent aspiration tubing (18-7).
- Start by loosening the inlet valve holder with the adjustable wrench (1) and then unscrew it by hand (2) and remove it.
- Remove the inlet valve from the inlet valve holder (3).

2 Cleaning the inlet valve

- Start by rinsing the inlet valve in the direction of eluent flow using a wash bottle filled with ultrapure water, RBS™ solution or acetone. (The direction of eluent flow is marked on the valve by an arrow.)

The rinsing solution must come out at the valve exit.

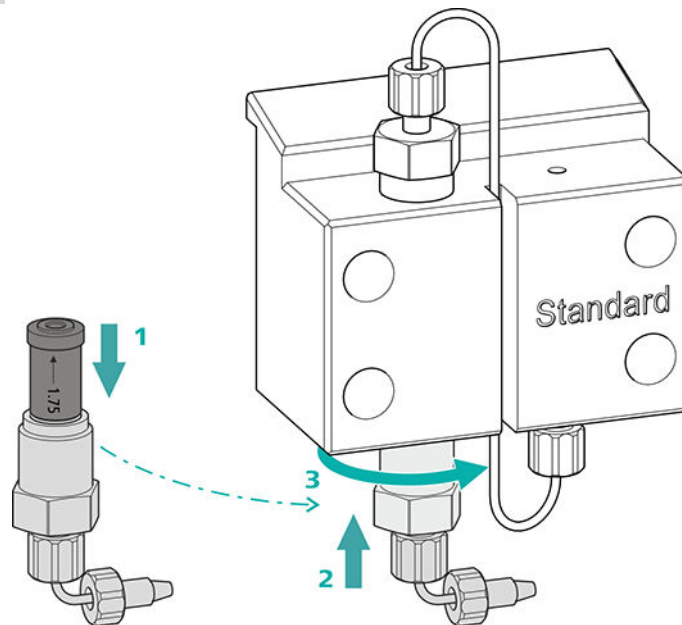
If no more solution comes out, then the valve is blocked.

- Rinse the inlet valve in the direction opposite the eluent flow using a wash bottle filled with ultrapure water, RBS™ solution or acetone.

The rinsing solution may only come out at the valve exit.

The inlet valve must be replaced if it is still clogged after cleaning.

3 Reinserting the inlet valve into the pump head



- Insert the inlet valve into the inlet valve holder (the seal must be visible) (1).
- Screw the inlet valve holder up into the pump head (2) and tighten it firmly by hand and then retighten it one additional $\frac{3}{4}$ turn using the adjustable wrench (3).
- Refasten the connection capillary to the connection of the eluent aspiration tubing (18-7).

Removing the pump head

Accessories

For this step, you need the following accessories:

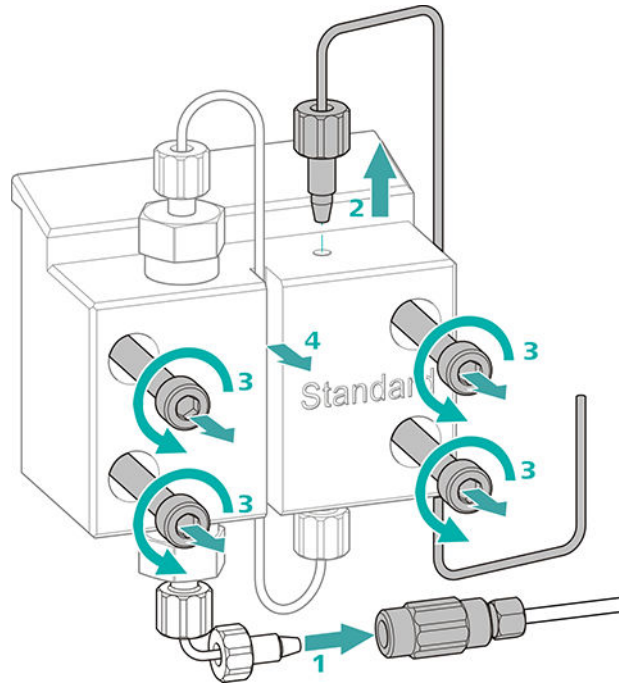
You can find these parts in the accessory kit: *Vario/Flex Basic* (6.5000.000).

- 4 mm hex key (6.2621.030)

Removing the pump head

Prerequisites:

- Is the high-pressure pump switched off?
- Has the pressure been released?
- Is the instrument switched off?



- 1** Release the coupling from the pressure screw and seal it with a stopper.
- 2** Unscrew and remove the pressure screw on the pump head's outlet (18-8).
- 3** Loosen and remove the four fastening screws (18-3) using the hex key.
- 4** Remove the pump head (18-4).

Servicing the piston

Carry out the following work on both pistons in turn.

Servicing a piston consists of the following tasks:

1. Replace the piston seal.
2. Clean or replace the zirconium oxide piston.
3. Reinstall the piston.

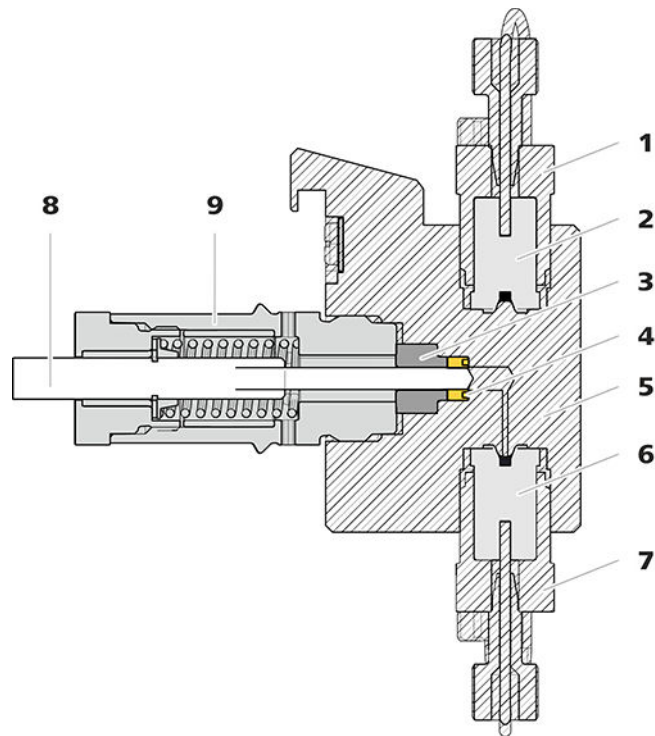


Figure 19 High-pressure pump – Cross-section

1	Outlet valve holder	2	Outlet valve (6.2824.160)
3	Backup ring	4	Piston seal (6.2741.020)
5	Pump head	6	Inlet valve (6.2824.170)
7	Inlet valve holder	8	Zirconium oxide piston (6.2824.070)
9	Piston cartridge		

Accessories

For this step, you need the following accessories:

You can find these parts in the accessory kit: *Vario/Flex Basic* (6.5000.000).

- Adjustable wrench (6.2621.000)
- Tool for piston seals (6.2617.010) consisting of a tip (20-1) for removing the old piston seal and a sleeve (20-2) for inserting the new piston seal.

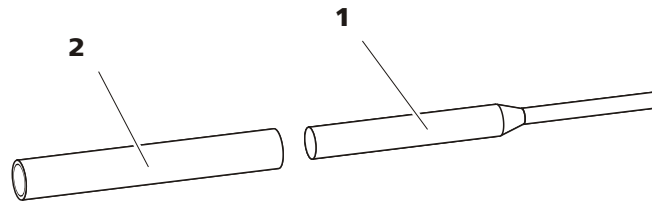


Figure 20 Tool for piston seal (6.2617.010)

1 Tip

2 Sleeve

Spare part

For this step, you need a new piston seal (6.2741.020).

Replacing the piston seal

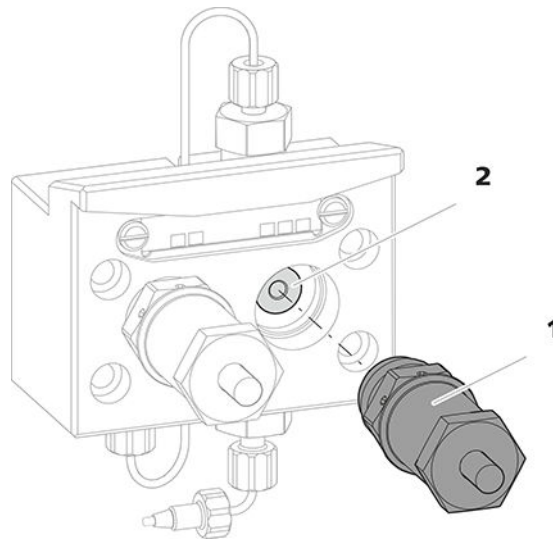


Figure 21 Removing the piston cartridge from the pump head

1 Piston cartridge

2 Backup ring

1 Removing the piston cartridge

Loosen the piston cartridge (21-**1**) using the adjustable wrench and then unscrew it from the pump head by hand. Set it aside.

2 Removing the backup ring

Shake the backup ring (21-**2**) out of the piston opening. Set it aside.

3 Removing the old piston seal



CAUTION

Screwing the (6.2617.010) special tool for the piston seal into the piston seal destroys this completely!



CAUTION

Avoid touching the sealing surface in the pump head with the tool!

Only screw the tip (20-1) of the tool for the piston seal far enough into the piston seal that the seal can be pulled out.

4 Inserting the new piston seal into the tool

Insert the new piston seal into the recess of the sleeve (22-1) of the tool for piston seal. The sealing spring must be visible from the outside.

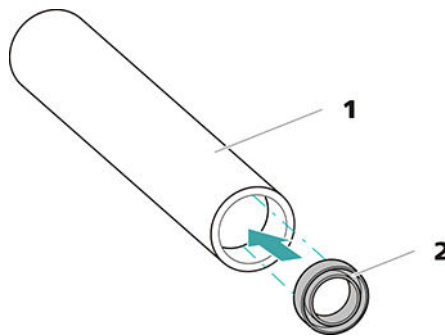


Figure 22 Inserting the piston seal into the tool

1 Tool for piston seal (6.2617.010)

Sleeve for inserting the new piston seal.

2 Piston seal (6.2741.020)

5 Inserting the new piston seal into the pump head

Guide the sleeve (20-2) of the tool for the piston seal with inserted piston seal into the pump head. Press the seal into the pump head recess using the wide end of the tip (20-1) of the tool.

Cleaning or replacing the zirconium oxide piston

Prerequisites:



- The pump head has been removed (see "Removing the pump head", page 83).
- The piston cartridge is removed (see "Replacing the piston seal", page 86).

For this task, you need the following accessories:

- Zirconium oxide piston (6.2824.070)
- Adjustable wrench (6.2621.000) from the accessory kit: *Vario/Flex Basic* (6.5000.000).

1 Breaking down the piston cartridge



CAUTION

Inside the piston cartridge there is a taut spring that can launch out of the piston cartridge if the tension is released suddenly.

When opening the piston cartridge, counteract the pressure from the spring and carefully unscrew the cartridge.

- Loosen the piston cartridge's screw with an adjustable wrench and carefully unscrew the screw by hand while counteracting the pressure from the taut spring.
- Remove the zirconium oxide piston and place it on a paper towel.
- Remove the spring retainer, the spring and the inner plastic sleeve from the piston cartridge and lay them next to the piston.
- Place the backup ring you put aside with the remaining parts.

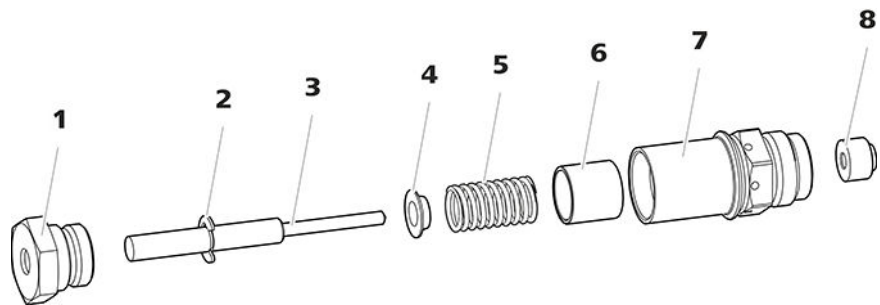


Figure 23 Parts of the piston cartridge

1	Piston cartridge screw	2	Retaining washer
3	Zirconium oxide piston (6.2824.070)	4	Spring retainer
5	Spring (6.2824.060)	6	Inner plastic sleeve Protects from metallic abrasion.
7	Piston cartridge	8	Backup ring

2 Cleaning the parts of the piston cartridge

- If the zirconium oxide piston has become contaminated due to abrasion or deposits, then clean it using a fine abrasive cleaning powder, rinse it using ultrapure water until it is free of particles and dry it.

The zirconium oxide piston must be replaced if it is heavily contaminated or scratched.

- Rinse the other parts of the piston with ultrapure water and dry with a lint-free cloth.

3 Replacing the zirconium oxide piston

- Remove the retaining washer (23-2) from the old piston. If the retaining washer sits too tightly, use a pointed object to loosen the retaining washer.
- Assemble the retaining washer at the same point on the new piston.

4 Putting the piston cartridge together

- Insert the inner plastic sleeve, the spring and the spring retainer into the piston cartridge.
- Slide the zirconium oxide piston carefully into the piston cartridge until its tip emerges from the small opening of the piston cartridge.
- Attach the screw and tighten it by hand.

Mounting the piston

1 Reinserting the backup ring

Clean the backup ring (19-3) with ultrapure water and reinsert it.

2 Reinserting the piston cartridge

Screw the assembled piston cartridge back into the pump head and tighten, first by hand, then also using an adjustable wrench by approx. 15°.

Clean the second piston cartridge in the same way.

Mounting the pump head

For this step, you need the following accessories:

You can find these parts in the accessory kit: *Vario/Flex Basic* (6.5000.000).

Accessories

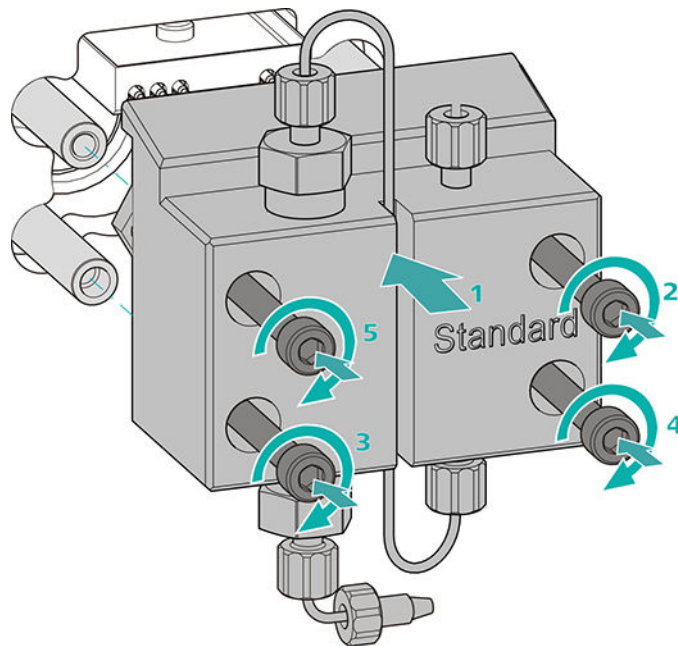
- 4 mm hex key (6.2621.030)

Mounting the pump head



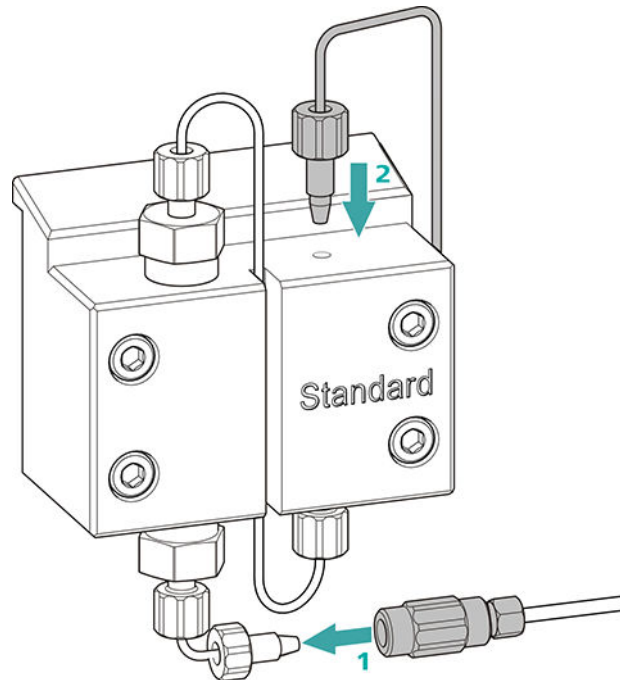
NOTE

The pump head cannot be mounted the wrong way, as it has fastening bolts with different bore hole depths, i.e., one fastening bolt is longer than all others. The bore hole with the greatest depth must therefore be aligned with the longest bolt.



- 1 ▪ Push the pump head onto the four fastening bolts (1).
▪ Tighten the four fastening screws using the hex key (6.2621.030) alternating crosswise.

Connecting the entry and exit for the high-pressure pump



- 1
 - Remove the stopper from the coupling. Tighten the coupling to the pressure screw located on the pump head inlet capillary (1).
 - Reconnect the pump head outlet capillary to the pump head outlet (2).

6.9 Servicing the inline filter



NOTE

You can find a video sequence for this task in the *Multimedia Guide IC Maintenance* or on the Internet at <http://ic-help.metrohm.com/>.

Maintenance interval

The filter must be replaced at least every 3 months; it may need to be replaced more frequently, depending on the application.

Accessories

For this task, you need the following accessories:

- Two adjustable wrenches (6.2621.000) from the accessory kit: Vario/Flex Basic (6.5000.000)
- Tweezers
- A new filter from the packaging (6.2821.130)

Removing the filter

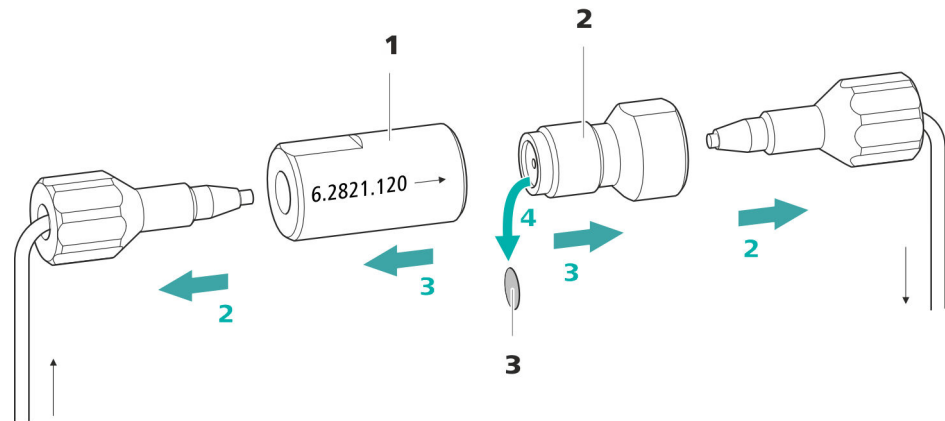


Figure 24 Inline filter – Removing the filter

1 Filter housing

Inline filter housing. Part of the accessories (6.2821.120).

2 Filter screw

Screw for the inline filter. Part of the accessories (6.2821.120).

3 Filter (6.2821.130)

Pack contains 10 pieces.

1 Shutting off the flow

Switch off the high-pressure pump in the software.

2 Removing the inline filter

Unscrew both pressure screws from the inline filter.

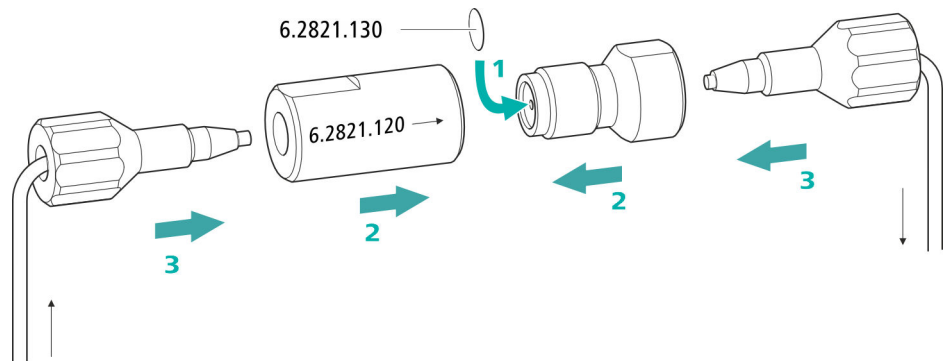
3 Unscrewing the filter screw

Use two adjustable wrenches (6.2621.000) to loosen the filter screw (24-2) from the filter housing (24-1) and unscrew it by hand.

4 Removing the filter

Remove the old filter (24-3) using tweezers.

Inserting a new filter



1 Inserting a new filter

- Use tweezers to carefully place a new filter into the filter screw (24-2) so that it is flat and press it firmly into place with the rear of the tweezers.

2 Installing the filter screw

- Screw the filter screw (24-2) back into the filter housing (24-1) and tighten by hand. Then use two adjustable wrenches (6.2621.000) to tighten it slightly.

3 Remounting the inline filter

- Screw pressure screws back onto the inline filter. Take care to ensure that the flow direction matches that inscribed on the inline filter.

4 Rinsing the inline filter

- Dismantle the guard column (if present) and the separation column and replace with a coupling (6.2744.040).
- Rinse the instrument with eluent.
- Reinsert the columns after 10 minutes.

**CAUTION**

The Metrohm Suppressor Module (MSM) must be regenerated (see chapter 6.12.3.2, page 96), cleaned (see chapter 6.12.3.4, page 99) or replaced (see chapter 6.12.3.5, page 101) if the capacity of the Metrohm Suppressor Module (MSM) is reduced or if the backpressure is high.

6.12.2 Taking care of the suppressor housing**CAUTION****The transparent suppressor housing can become fogged.**

The suppressor housing is made of PMMA (poly(methyl methacrylate)). It can become scratched and foggy if cleaned improperly. This can make viewing the rotor difficult or impossible.

- Do **not use any scouring agents** for cleaning.
- Do **not use any solvents** for cleaning.

6.12.3 Servicing the Metrohm Suppressor Module (MSM)**NOTE**

The following chapters equally apply to the suppressor and the sample preparation module (SPM).

6.12.3.1 Parts of the Metrohm Suppressor Module (MSM)

The SPM is made up of the same parts as the Metrohm Suppressor Module (MSM).

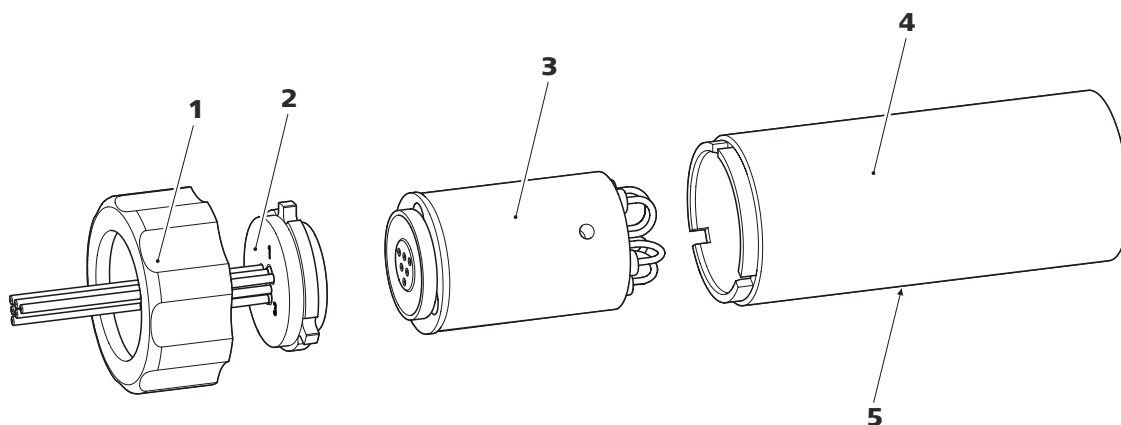


Figure 25 Parts of the Metrohm Suppressor Module (MSM)

1	Union nut	2	Connecting piece
3	Rotor	4	Housing
5	Slot in the housing		

6.12.3.2 Regenerating the anion suppression rotor

If the anion suppressor units are loaded with certain heavy metals (such as iron) or organic contamination for long periods, then the standard regeneration solution may no longer be able to completely remove them. This constantly reduces the capacity of the suppressor units, which results in reduced phosphate sensitivity in mild cases and a large increase in the baseline in severe cases.

If such capacity problems occur at one or more positions, all anion suppressor units must be regenerated with one of the following solutions:

Regeneration solutions

- **Contamination with heavy metals or elevated backpressure:**
1 mol/L H_2SO_4 + 0.1 mol/L oxalic acid
- **Contamination with organic cationic complexing agents:**
0.1 mol/L H_2SO_4 / 0.1 mol/L oxalic acid / acetone 5%
- **Heavy contamination with organic substances:**
0.2 mol/L H_2SO_4 / acetone \geq 20%
- **Contamination by certain environmental samples**
1 mol/L H_3PO_4



NOTE

If phosphoric acid has been used once as regeneration solution in an IC system, you will have to continue using phosphoric acid for regeneration. Regenerating it with sulfuric acid again can lead to problems in the baseline.



CAUTION

Pump tubing made of PVC must not be used for solutions containing organic solvents.

We recommend using the high-pressure pump for regeneration.

Regenerating the anion suppressor rotor

1 Disconnecting the Metrohm Suppressor Module (MSM) from the IC system

- Disconnect the capillaries of the MSM labeled **regenerant** and **rinsing solution** from the IC system.

2 Regenerating the Metrohm Suppressor Module (MSM)

Regenerate the three suppressor units one after the other for approx. 15 minutes using one of the solutions mentioned above.

- Connect the capillary labeled **regenerant** to the outlet of the high-pressure pump using a coupling (6.2744.040).
- Set the flow of the high-pressure pump to 0.5 mL/min in the software.
- Connect the regeneration solution to the high-pressure pump.
- Switch on the high-pressure pump.
If the pressure decreases during regeneration, slowly increase the flow of the pump to a maximum of 2 mL/min. When doing so, make sure that the pressure does not exceed 2 MPa!
- After approx. 15 minutes, switch off the high-pressure pump.
- In the software, use the **Step** command to switch to the next suppressor unit and regenerate it as described above.
- As soon as all three suppressor units have been regenerated, disconnect the capillary labeled **regenerant** from the coupling.

3 Rinsing the Metrohm Suppressor Module (MSM)

After regeneration, each of the three suppressor units must be rinsed with degassed ultrapure water for about 15 minutes.

- Connect the capillary labeled **rinsing solution** to the outlet of the high-pressure pump using a coupling (6.2744.040).
- Set the flow of the high-pressure pump to 0.5 mL/min in the software.
- Connect the ultrapure water to the high-pressure pump.

4 Regenerating the third cation suppressor unit

In the software, use the **Step** command to switch to the next suppressor unit. Repeat step 2.

5 Restoring the regeneration solution

As soon as all three suppressor units are completely exhausted, restore the regeneration solution feed.

6 Equilibrating the system

Equilibrate the system as usual (*see chapter "Conditioning" in the manual for the ion chromatograph*).

6.12.3.4 Cleaning the Metrohm Suppressor Module (MSM)

In the following cases, it may be necessary to clean the Metrohm Suppressor Module (MSM):

- Increased backpressure at the MSM's connection tubing.
- Irremediable blockage of the MSM (solutions can no longer be pumped through the MSM).
- Irremediable jamming of the MSM (MSM can no longer be switched over).

Cleaning the Metrohm Suppressor Module (MSM)**1 Disconnecting the Metrohm Suppressor Module (MSM) from the IC system**

- Switch off the instrument.
- Disconnect all capillaries of the MSM from the IC system.

2 Dismantling the Metrohm Suppressor Module (MSM)

- Unscrew the union nut (25-1) from the housing (25-4).
- Pull the connecting piece (25-2) out of the housing together with the rotor (25-3).

If the rotor gets stuck in the housing, you can push it out as follows:

Put a pointed object into the slot in the housing and use it to push out the rotor.

- Loosen the connecting piece from the rotor with a turning movement.

3 Rinsing the capillaries

- Connect each of the six PTFE capillaries connected to the connecting piece (25-2) in sequential order to the high-pressure pump and pump ultrapure water through them.
- Check whether water comes out at the connecting piece.

If one of the capillaries remains blocked, the connecting piece (see "Replacing parts of the Metrohm Suppressor Module (MSM)", page 102) must be replaced (order number 6.2835.010).

4 Cleaning the rotor

- Clean the sealing surface of the rotor (25-3) with ethanol using a lint-free cloth.

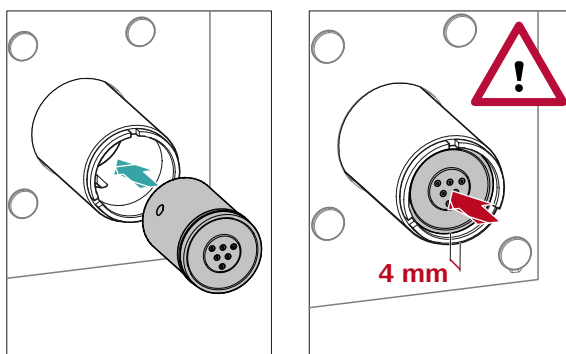
5 Inserting the rotor



CAUTION

The rotor may be destroyed during start-up if it is not inserted correctly.

For an overview of the rotors, see figure , page 34



- Insert the rotor (25-3) into the housing (25-4) in such a way that the tubing connections on the rear of the rotor fit into the corresponding recesses inside the housing and one of the three holes of the rotor is visible from below in the slot of the housing (25-5).

**NOTE**

The rotor's sealing surface is located approx. 4 mm deep inside the suppressor drive if the rotor is inserted correctly.

If this is not the case, then the rotor must be moved into the correct position using careful turning. If the rotor cannot be turned or removed, it can be moved into the correct position from below by means of a pointed object (e.g. a screwdriver).

6 Cleaning the connecting piece

- Clean the sealing surface of the connecting piece (25-2) with ethanol using a lint-free cloth.

7 Inserting the connecting piece

See also Chapter 4.13.1, page 34

- Insert the connecting piece (25-2) into the housing in such a way that connector 1 is on top and the three pins of the connecting piece fit into the corresponding recesses on the housing.
- Reattach the union nut (25-1) and tighten by hand (do not use a tool).

8 Connecting and conditioning the Metrohm Suppressor Module (MSM)

- Reconnect the MSM to the IC system.
- Before switching the MSM over for the first time, rinse each of the three suppressor units with solution for five minutes.

6.12.3.5 Replacing parts of the Metrohm Suppressor Module (MSM)

Parts of the Metrohm Suppressor Module (MSM) may need to be replaced in the following cases:

- Irremediable loss of suppressor capacity (reduced phosphate sensitivity and/or significant rise in the baseline).
- Irremediable blockage of the MSM (solutions can no longer be pumped through the MSM).

Both the rotor and the connecting piece can be replaced.

Replacing parts of the Metrohm Suppressor Module (MSM)

1 Disconnecting the Metrohm Suppressor Module (MSM) from the IC system

- Switch off the instrument.
- Disconnect all capillaries of the MSM from the IC system.

2 Dismantling the Metrohm Suppressor Module (MSM)

- Unscrew the union nut (25-1) from the housing (25-4).
- Pull the connecting piece (25-2) out of the housing together with the rotor (25-3).

If the rotor gets stuck in the housing, you can push it out as follows:

Put a pointed object into the slot in the housing and use it to push out the rotor.

- Loosen the connecting piece from the rotor with a turning movement.

3 Cleaning the new rotor

- Clean the sealing surface of the new rotor (25-3) with ethanol using a lint-free cloth.

4 Inserting the new rotor



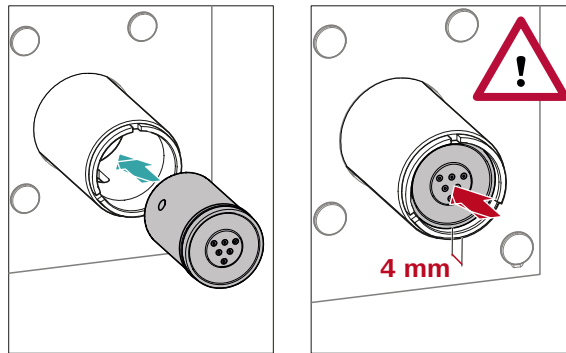
CAUTION

The rotor may be destroyed during start-up if it is not inserted correctly.



NOTE

The adapter (6.2842.020) (see "Inserting small rotors", page 36) is required in order to insert a small rotor into the suppressor drive.



- Insert the new rotor (25-3) into the housing (25-4) in such a way that the tubing connections on the rear of the rotor fit into the corresponding recesses inside the housing and one of the three holes of the rotor is visible from below in the slot of the housing (25-5).



NOTE

The rotor's sealing surface is located approx. 4 mm deep inside the suppressor drive if the rotor is inserted correctly.

If this is not the case, then the rotor must be moved into the correct position using careful turning. If the rotor cannot be turned or removed, it can be moved into the correct position from below by means of a pointed object (e.g. a screwdriver).

5 Cleaning the new connecting piece

- Clean the sealing surface of the new connecting piece (25-2) with ethanol using a lint-free cloth.

6 Inserting the new connecting piece

See also Chapter 4.13.1, Page 34

- Insert the connecting piece (25-2) into the housing in such a way that connector 1 is on top and the three pins of the connecting piece fit into the corresponding recesses on the housing.
- Reattach the union nut (25-1) and tighten by hand (do not use a tool).

7 Connecting and conditioning the Metrohm Suppressor Module (MSM)

- Reconnect all capillaries of the MSM to the IC system.
- Before switching the MSM over for the first time, rinse the three suppressor units with solution for five minutes.

6.13 Peristaltic pump

6.13.1 Notes on operating the peristaltic pump

The flow rate of the peristaltic pump depends on the drive speed (set using the software), the contact pressure and, above all, the inner diameter of the pump tubing. Depending on the application, different pump tubing is used. Select pump tubing that best matches your application (*see table 2, page 42*).



CAUTION

The service life of the pump tubing primarily depends on the contact pressure.

If the peristaltic pump is switched off for long periods, lift up the tubing cartridges on the right side by releasing the snap-action levers. This ensures that the contact pressure will be maintained once it has been set.



CAUTION

The pump tubing (6.1826.xxx) is made of PVC or PP and therefore must not be used for rinsing with solutions containing organic solvents. In this case, use different pump tubing or use another pump for rinsing.

6.13.2 Servicing the peristaltic pump

6.13.2.1 Replacing the pump tubing

Pieces of pump tubing inserted into the peristaltic pump are consumables with a limited service life.

Pieces of pump tubing with 3 stoppers are tensioned in the tubing cartridge so that they end up positioned between two stoppers. This results in two possible positions for the tubing cartridge. Once the pump tubing exhibits significant signs of wear, it can be tensioned a second time in the other respective position.

Maintenance interval

Replace the pump tubing every 2 months.

Replace the pump tubing every 4 weeks if the peristaltic pump is being used continuously.

6.13.2.2 Replacing the filter

The filters inserted into the pump tubing connection with locking nut and filter (6.2744.180) must be replaced regularly.

Maintenance interval We recommend replacing the filters (6.2821.130) (26-2) every 3 months. The filters may need to be replaced more frequently, depending on the application.

Accessories For this step, you need the following accessories:

- 1 filter from the spare filter set (6.2821.130)
- 2 adjustable wrenches (6.2621.000)
- Tweezers

Replacing the filter

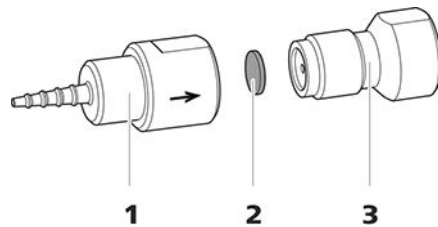


Figure 26 Pump tubing connection – Replacing the filter

1 Tubing olive

2 Filter (6.2821.130)
Pack contains 10 pieces.

3 Filter screw

1 Unscrewing the filter screw

- Unscrew the filter screw (26-3) from the tubing olive (26-1) using the two adjustable wrenches.

2 Replacing the filter

- Remove the old filter (26-2) using tweezers.
- Use tweezers to place the new filter (26-2) on the filter screw (26-3) so that it is **flat** and press it firmly into place with the rear of the tweezers.

3 Installing the filter screw

- Screw the filter screw (26-3) back into the tubing olive (26-1) and start by tightening it by hand. Tighten using the two adjustable wrenches.

6.15 Detector maintenance

Follow the maintenance instructions in the the detector's manual.

6.16 Rinsing the sample path

Before a new sample is measured, the sample path must be rinsed with it long enough to prevent the measuring result from being falsified by the previous sample (sample carry-over).

The time required to rinse the sample path with the new sample is called the rinsing time. The rinsing time depends on the transfer time.

The transfer time corresponds to the time the sample needs to flow from the sample vessel to the end of the sample loop. The transfer time depends on the following factors:

- The pump capacity of the peristaltic pump or of the Dosino that is used for the sample transfer.
- The total capillary volume
- The volume of the gas removed from the sample by the sample degasser (if a sample degasser is present and connected)

The transfer time can be determined as follows:

Determining the transfer time

1 Emptying the sample path

Pump air through the sample path (pump tubing, tubing connections, capillary in the degasser, sample loop) for several minutes until all liquid is displaced by the air.

2 Unscrewing the sample loop

Unscrew the end of the sample loop.

3 Aspirating the sample and measuring the time

Aspirate a sample typical for the later application and use a stop-watch to measure the time the sample needs to go from the sample vessel to the end of the sample loop.

The time upon stopping the watch is the "transfer time".

4 Tightening the sample loop again

Tighten the sample loop again.

The SPM consists of three neutralization units, which are used, regenerated with perchloric acid or rinsed with ultrapure water in rotation. In order to record each new chromatogram under comparable conditions, work is normally performed with a freshly regenerated neutralization unit.



CAUTION

The SPM must never be switched over if liquid is not flowing through it, since otherwise it may become jammed. If the SPM is in a dry state, it must be rinsed for at least five minutes before it may be switched over.



CAUTION

The SPM has to be regenerated (*see chapter 6.17.2.1, page 109*), cleaned (*see chapter 6.17.2.2, page 110*) or replaced (*see chapter 6.17.2.3, page 110*) if the capacity of the SPM is reduced or if the backpressure is high.

6.17.2 Servicing the SPM

6.17.2.1 Regenerating the SPM

If the neutralization units are loaded for a longer period with certain heavy metals (e.g. iron) or organic impurities, these can no longer be completely removed with the standard regeneration solution (100 mmol/L HClO₄). The capacity of the neutralization units decreases and there are problems in the baseline of the chromatogram.

If such capacity problems occur at one or more positions, all neutralization units must be regenerated with one of the following solutions:

- **Contamination with heavy metals:**
1 mol/L H₂SO₄ + 0.1 mol/L oxalic acid
- **Contamination with organic cationic complexing agents:**
0.1 mol/L H₂SO₄ / 0.1 mol/L oxalic acid / acetone 5%
- **Heavy contamination with organic substances:**
0.2 mol/L H₂SO₄ / acetone ≥ 20%



CAUTION

Pump tubing made of PVC must not be used for solutions containing organic solvents.

We recommend using the high-pressure pump for regeneration.

Regenerate the SPM *as described in chapter 6.12.3.2, page 96*.



6.17.2.2 Cleaning the SPM

In the following cases, it may be necessary to clean the SPM:

- Increased backpressure at the SPM's connection tubing.
- Irremediable blockage of the SPM (solutions can no longer be pumped through the SPM).
- Irremediable jamming of the SPM (SPM can no longer be switched over).

Clean the SPM *as described in chapter 6.12.3.4, page 99.*

6.17.2.3 Replacing parts of the SPM

In the following cases, it might be necessary to replace parts of the SPM:

- Irremediable loss of neutralization capacity (ph of the sample and of the neutralized solution are the same).
- Irremediable blockage of the SPM (solutions can no longer be pumped through the SPM).

Both the SPM Rotor A and the connecting piece can be replaced.

Replace the parts of the SPM *as described in chapter 6.12.3.5, page 101.*

6.18 Separation column

6.18.1 Separating efficiency

The analysis quality that can be attained depends in a large part on the separating efficiency of the separation column being used. The separating efficiency of the selected separation column must be sufficient for the current analysis problems. If difficulties arise, start by checking the quality of the separation column in each case by recording a standard chromatogram.

You can find detailed information on the separation columns available from Metrohm in the leaflet provided along with your separation column, in the **Metrohm IC Column Program** (available from your Metrohm representative) or on the Internet at <http://www.metrohm.com> in the Ion Chromatography product area. You can find information on special IC applications in the corresponding "**Application Bulletins**" or "**Application Notes**", which are available on the Internet at <http://www.metrohm.com> in the Applications area or free of charge upon request from your responsible Metrohm representative.

6.18.2 Protecting the separation column

We recommend using the following protective measures so that the separation column retains its separating efficiency for as long as possible:

- Microfilter both the sample and the eluent (0.45 µm filter) and aspirate the eluent via the aspiration filter (6.2821.090) as well.
- Always use a guard column. Information regarding which guard column is suitable for your separation column can be found in the **Metrohm IC Column Program** (which is available from your Metrohm representative), the leaflet provided along with your separation column or the product information about the separation column at <http://www.metrohm.com> (Ion Chromatography product area), or it can be obtained directly from your representative.
- Use the pulsation absorber.

6.18.3 Storing the separation column

Always store separation columns you do not need in a sealed and filled state according to the column manufacturer's specifications.

6.18.4 Regenerating the separation column

The separation column can be regenerated according to the column manufacturer's specifications if the separation characteristics of the column have deteriorated. You can find information on regenerating separation columns available from Metrohm on the leaflet provided with every column.



NOTE

Regeneration is intended as a last resort. It should not be carried out regularly.

Problem	Cause	Remedy
	<i>The organic solvent in the eluent is evaporating.</i>	<ul style="list-style-type: none"> Check the eluent bottle cap (<i>see chapter 4.7, page 25</i>). Constantly stir the eluent.
The pressure in the system markedly increases.	<i>The inline filter (6.2821.120) is blocked.</i>	Replace the filter (6.2821.130) .
	<i>The MSM is blocked.</i>	<ul style="list-style-type: none"> Regenerate the MSM (<i>see chapter 6.12.3.2, page 96</i>). <p>Note: 6.2821.180 pump tubing connection with filter must be used.</p>
	<i>Guard column – Blocked.</i>	Replace the guard column (<i>see chapter 4.23, page 62</i>).
	<i>Separation column – Blocked.</i>	<ul style="list-style-type: none"> Regenerate the separation column (<i>see chapter 6.18.4, page 111</i>). Replace the separation column (<i>see "Connecting the separation column", page 66</i>). <p>Note: Samples should always be microfiltered .</p>
	<i>Injection valve – blocked.</i>	Have the valve cleaned (by a Metrohm service engineer).
The retention times in the chromatogram have changed unexpectedly.	<i>Eluent - Incorrect concentration</i>	Create eluent with correct concentration.
	<i>Separation column – Diminished separating efficiency.</i>	<ul style="list-style-type: none"> Regenerate the separation column (<i>see chapter 6.18.4, page 111</i>). Replace the separation column (<i>see "Connecting the separation column", page 66</i>).
	<i>The eluent contains gas bubbles.</i>	<ul style="list-style-type: none"> Ensure that the connectors for the eluent degasser are firmly connected . Purge the high-pressure pump (<i>see figure , page 61</i>).
	<i>High-pressure pump – Defective.</i>	Request Metrohm Service.
Peak areas are lower than expected.	<i>Sample – There is a leak in the sample path.</i>	Find and fix the leak in the sample path.

Problem	Cause	Remedy
	<i>MSM – No or insufficient flow of regeneration solution or rinsing solution.</i>	Check the flow of the regeneration solution and of the rinsing solution .
	<i>MCS – The CO₂ suppressor is not connected.</i>	Connect the CO ₂ suppressor.
The retention times are poorly reproducible.	<i>The eluent path has a leak.</i>	Check all of the connections along the eluent path and fix the leak.
	<i>The eluent path is blocked.</i>	Check the eluent path and eliminate the blockage.
	<i>The eluent contains gas bubbles.</i>	<ul style="list-style-type: none"> ▪ Check the connectors of the eluent degasser . ▪ Purge the high-pressure pump (<i>see chapter 4.22, page 60</i>).
Baseline increasing strongly.	<i>Insufficient flow of regeneration solution or rinsing solution.</i>	See problem "MSM – Insufficient flow of regeneration solution or rinsing solution." See problem "SPM – Insufficient flow of regeneration solution or rinsing solution."
	<i>MSM – Reduced capacity.</i>	Regenerate the MSM (<i>see chapter 6.12.3.2, page 96</i>).
	<i>SPM – Reduced capacity.</i>	Regenerate the SPM (<i>see chapter 6.12.3.2, page 96</i>).
Chromatograms have poor resolution	<i>Separation column – Diminished separating efficiency.</i>	<ul style="list-style-type: none"> ▪ Regenerate the separation column (<i>see chapter 6.18.4, page 111</i>). ▪ Replace the separation column (<i>see "Connecting the separation column", page 66</i>).
Extreme spread of the peaks in the chromatogram. Splitting (dual peaks)	<i>Capillary connections – Dead volume in the system.</i>	Check the capillary connections (<i>see chapter 4.2, page 17</i>) (use PEEK capillaries with an inner diameter of 0.25 mm between the injection valve and the detector).
	<i>Guard column – Diminished efficiency.</i>	Replace the guard column (<i>see chapter 4.23, page 62</i>).
	<i>Separation column – Dead volume at the column head.</i>	<ul style="list-style-type: none"> ▪ Install the separation column in the opposite flow direction (if the leaflet says this is permissible) and rinse into a beaker.

8 Technical specifications

8.1 Reference conditions

The technical specifications listed in this chapter refer to the following reference conditions:

<i>Ambient temperature</i>	+25 °C (±3 °C)
<i>Device status</i>	> 40 minutes in operation

8.2 Ambient conditions

Operation

<i>Nominal function range</i>	+5 to +45 °C at max. 80% relative humidity, non-condensing
-------------------------------	---

<i>Storage</i>	+5 to +45 °C at max. 80% relative humidity, non-condensing
----------------	---

<i>Altitude / Pressure range</i>	max. 3,000 m above sea level / min. 700 mbar
----------------------------------	--

<i>Overvoltage category</i>	II
-----------------------------	----

<i>Pollution degree</i>	2
-------------------------	---

8.3 Housing

Dimensions

<i>Width</i>	365 mm
<i>Height</i>	642 mm
<i>Depth</i>	380 mm

Controls

<i>Indicators</i>	LED for standby indicator
<i>On/off switch</i>	On the rear of the instrument

Housing

<i>Base tray, housing and bottle holder material</i>	Polyurethane hard foam (PUR) with flame retardation for fire class UL 94 V-0, CFC-free, coated
--	--



IP degree of protection IP 20

8.4 Weight

2.940.1530 38.87 kg (without accessories)

8.5 Leak sensor

Type Electronic, no calibration necessary

8.6 Column thermostat

Type Thermostat using Peltier technology for two intelligent separation columns

Adjustable temperature range 0 to +80 °C, in 0.1 °C increments

Heating Up to 50 °C above the ambient temperature

Cooling Down to 20 °C below the ambient temperature

Temperature reproducibility ±0.2 °C

Stability < 0.05 °C

Heating time < 30 minutes from 20 to 50 °C

Cooling time < 40 minutes from 50 to 20 °C

8.7 Eluent degasser

Material Fluoropolymer

Resistance to solvents No restriction (except PFC)

Time to establish vacuum < 60 s

8.8 High-pressure pump

<i>Type</i>	<ul style="list-style-type: none"> ▪ Serial dual-piston pump ▪ Intelligent pump head recognition ▪ Chemically inert ▪ Metal-free pump heads ▪ Materials in contact with the eluent: PEEK, ZrO₂, PTFE/PE ▪ Self-optimizing flow and pressure
<i>Flow rate</i>	
<i>Adjustable flow range</i>	0.001–20 mL/min 0.01–5 mL/min with standard PEEK pump head
<i>Flow increment</i>	1 µL/min
<i>Reproducibility of the eluent flow</i>	< 0.1% deviation
<i>Pressure range</i>	
<i>Pump</i>	0–50.0 MPa (0–500 bar)
<i>Pump head</i>	0–35.0 MPa (0–350 bar) (applies for the standard PEEK pump head)
<i>Residual pulsation</i>	< 1%
<i>Safety shutdown</i>	
<i>Function</i>	Automatic shutdown upon reaching the pressure limits
<i>Maximum pressure limit</i>	<ul style="list-style-type: none"> ▪ Adjustable from 0.1–50 MPa (1–500 bar) ▪ The pump is automatically shut down at the first piston stroke above the maximum limit value
<i>Minimum pressure limit</i>	<ul style="list-style-type: none"> ▪ Adjustable from 0–49 MPa (0–490 bar) ▪ The shutdown mechanism is inactive at 0 MPa ▪ The shutdown mechanism becomes active two minutes after system start ▪ The pump is automatically shut down after three piston strokes below the minimum pressure limit
<i>Gradient capability</i>	Isocratic or gradient (extendable to quaternary)
<i>Profile</i>	Step, linear, convex and concave
<i>Resolution</i>	< 1 nL/min



8.9 Injection valve

<i>Actuator switching time</i>	typ. 100 ms
<i>Maximum operating pressure</i>	35 MPa (350 bar)
<i>Material</i>	PEEK

8.10 Metrohm Suppressor Module (MSM)

<i>Resistance to solvents</i>	No restriction
<i>Switching time</i>	typ. 100 ms

8.11 Peristaltic pump

<i>Type</i>	2-channel peristaltic pump
<i>Rotation direction</i>	Clockwise/counterclockwise
<i>Rotational speed</i>	0–42 rpm in 7 levels of 6 rpm each
<i>Pumping characteristics</i>	0.3 mL/min at 18 rpm; with standard pump tubing (6.1826.420)
<i>Pump tubing material</i>	Recommended: PharMed® (Ismaprene)

8.12 Metrohm CO₂ Suppressor (MCS)

<i>Material</i>	Fluoropolymer
<i>Resistance to solvents</i>	no restriction (except PFC)
<i>Vacuum</i>	
<i>Working range</i>	microprocessor-controlled/stabilized
<i>Time to establish after starting</i>	< 30 s
<i>Capillary volume</i>	400 µL
<i>Recommended flow range</i>	0.1–1.0 mL/min

8.13 Detector

You can find the technical specifications for the detector in the manual for the detector.

8.14 Sample degasser

<i>Material</i>	Fluoropolymer
<i>Resistance to solvents</i>	No restriction (except PFC)
<i>Time to establish vacuum</i>	< 60 s

8.15 Sample preparation module (SPM)

<i>Resistance to solvents</i>	No restriction
<i>Switching time</i>	Typically 100 ms
<i>Operating pressure</i>	2.5 MPa (25 bar), valve function prevents damage at overpressure

8.16 Energy supply

<i>Nominal voltage range</i>	100–240 V (\pm 10%)
<i>Nominal frequency range</i>	50–60 Hz (\pm 3%)
<i>Power consumption</i>	<ul style="list-style-type: none"> ▪ 65 W for typical analysis application ▪ 25 W standby (conductivity detector to 40 °C)
<i>Power supply unit</i>	<ul style="list-style-type: none"> ▪ up to 300 W maximum, electronically monitored ▪ internal fuse 3.15 A



8.17 Interfaces

USB

Input 1 USB upstream, type B (labeled **PC** for connecting to a computer)

Output 2 USB downstream, type A (labeled **USB 1** and **USB 2**)

MSB

2 MSB 8-pin Mini DIN (female) (labeled **MSB 1** and **MSB 2** for Dosino, stirrer, remote lines, etc.)

Detector

2 15-pin high-density D-sub (female) (labeled **Detector 1** and **Detector 2**)

Column recognition

3 (including 2 in the column thermostat)

Leak sensor

1 jack plug (labeled **Leak Sensor**)

Further connections

- 1 15-pin D-sub (female) (labeled **Extension Module**)

Index

A

Ambient conditions 117
 Anion suppressor
 Regeneration 96
 Aspiration filter (6.2821.090) 75
 Aspiration tubing for eluent 25

B

Baseline
 Condition 69
 Unstable 79

C

Capillaries
 Installation 17
 Carry-over 107
 Cation suppressor
 Regeneration 98
 Clean
 Inlet valve 82
 Outlet valve 80
 Suppressor 99
 CO₂ Absorber
 Connector 50
 Replace 106
 Column
 see "Separation column" 65
 Column recognition 122
 Column thermostat
 Installation 24
 Technical specifications 118
 Computer connection 58
 Conditioning 69
 Connect
 Power grid 59
 To computer 58
 Connections
 Installation 17
 Contamination
 High-pressure pump 77
 Valves for the high-pressure
 pump 79
 Contamination of suppressor
 Heavy metals 96
 Organic 96
 Contamination of the SPM
 Heavy metals 109
 Organic 109
 Crystallization
 High-pressure pump 77

D

Degasser
 Sample degasser 53
 Degassing
 Eluent 29
 Detector
 Interface 122
 Dimensions 117
 Door 73
 Drainage tubing
 Installation 22

E

Electrostatic charge 8
 Eluent
 Aspirate 25
 Change 76
 Manufacturing 75
 Eluent bottle
 Installation 25
 Eluent degasser
 Technical specifications 118
 Energy supply 121
 Equilibration 61, 68

F

Feed-through
 For cables 13
 For capillaries 13
 Filter
 Aspiration filter 75
 see "Inline filter" 30
 Flow fluctuations 79
 Flow increment 119
 Flow range 119
 Flow rate 119
 Frequency 121

G

Grip
 Also see "Handle" 20
 Guard column
 Installation 62
 Rinse 62, 64

H

Handle 20
 Heating
 Also see "Column thermostat"
 24

Heavy metals

 Contamination of suppressor
 96
 Contamination of the SPM
 109
 High-pressure pump
 Maintenance 78
 Protection 22, 77
 Technical specifications 119
 Housing 117
 Humidity 117

I

IC column
 see "Separation column" 65
 Injection valve 2
 Installation 32
 Maintenance 94
 Technical specifications 120
 Inline filter 30
 Installation
 Column thermostat 24
 Connections 17
 Drainage tubing 22
 Eluent bottle 25
 Guard column 62
 Injection valve 32
 Leak sensor 24
 MCS 48
 Peristaltic pump 42
 Pulsation absorber 31
 Pump tubing 42
 Sample degasser 53
 Sample preparation module
 (SPM) 55
 Separation column 65
 Suppressor 34
 Interface
 MSB 122
 USB 122
 Interfaces 122
 Further connections 122
 Leak sensor 122

L

Leak sensor
 Installation 24
 Interface 122
 Technical specifications 118

Index

- Leak-tightness 62
Leakage 79
Leaky piston seals 79
Loop
 See also "Sample loop" 32
- M**
- Maintenance
 High-pressure pump 78
 Injection valve 94
 Peristaltic pump 104
 SPM 108
 Suppressor 94
- MCS
 Absorber connector 50
 Capillary connection 49
 Installation 48
 Technical specifications 120
 Use 48
- MSB 122
- O**
- Operation 117
 Peristaltic pump 104
 SPM 108
 Suppressor 94
- Organic contamination
 Suppressor 96
- Organic impurities
 SPM 109
- Overtoltage category 117
- P**
- Peristaltic pump
 Installation 42
 Maintenance 104
 Mode of operation 47
 Operation 104
 Technical specifications 120
- Piston of the high-pressure pump
 79
- Piston seal 79
- Power connection 59, 60
- Power consumption 121
- Power supply unit 121
- Precipitate 77
- Pressure increase 77
- Pressure limit 119
- Pressure range 119
- Protection
 Inline filter 30
- Pulsation 79
- Pulsation absorber
 Installation 31
- Pump tubing
 Install 42
 Service life 104
- Pump tubings
 Overview 42
- R**
- Reference conditions 117
- Regenerate
 SPM 109
- Regeneration 71
 Anion suppressor 96
 Cation suppressor 98
- Rinse
 Guard column 62, 64
 Pump tubing 104
 Sample path 107
 Separation column 67
- Rinsing
 Separation column 65
- Rinsing time 108
- S**
- Safety instructions 7
- Safety shutdown 119
- Sample
 Carry-over 107
 Sample loop 32
 Transfer time 107
- Sample degasser
 Installation 53
 Technical specifications 121
- Sample loop 32
- Sample path
 Rinse 107
- Sample preparation module (SPM)
 Installation 55
 Technical specifications 121
- Sea level 117
- Separation column
 Installation 65
 Protection 2, 31, 111
 Regeneration 111
 Rinse 67
 Rinsing 65
 Separating efficiency 110
 Storage 111
- Service 7, 71
- Shutting down 72
- SPM
 Installation 55
 Maintenance 108
 Operation 108
 Regenerate 109
- Replace parts 110
- Switching 109
- Technical specifications 121
- Storage 117
- Supply voltage 8
- Suppression rotor
 see Suppressor 96, 98
- Suppressor
 Clean 99
 Install rotor 34
 Installation 34
 Maintenance 94
 Operation 94
 Replacing parts 101
 Switching 94
 Technical specifications 120
- Suppressor drive
 see "Suppressor" 34
- T**
- Technical specifications
 Column thermostat 118
 Detector 122
 Eluent degasser 118
 High-pressure pump 119
 Injection valve 120
 Interfaces 122
 Leak sensor 118
 MCS 120
 Peristaltic pump 120
 Reference conditions 117
 Sample degasser 121
 Sample preparation module
 (SPM) 121
 Suppressor 120
- Temperature 117
- Thermostat
 Also see "Column thermostat"
 24
- Transfer time 107
- Transport
 Grip 20
- Transport locking screws 21
- Tubings
 Installation 17
- U**
- USB 122
- V**
- Vacuum pump
 Protection 22
- Valve
 See also "Injection valve" 32
- Voltage 121