

940 Professional IC Vario



940 Professional IC Vario ONE/SeS/LPG

Manual

8.940.8017EN / v6 / 2025-04-30



Metrohm AG
CH-9100 Herisau
Switzerland
+41 71 353 85 85
info@metrohm.com
www.metrohm.com

940 Professional IC Vario

940 Professional IC Vario ONE/SeS/LPG

2.940.1450

Manual

Technical Communication
Metrohm AG
CH-9100 Herisau

This documentation is protected by copyright. All rights reserved.

This documentation is an original document.

This documentation has been prepared with great care. However, errors can never be entirely ruled out. Please send comments regarding possible errors to the address above.

Disclaimer

Deficiencies arising from circumstances that are not the responsibility of Metrohm, such as improper storage or improper use, etc., are expressly excluded from the warranty. Unauthorized modifications to the product (e.g., conversions or attachments) exclude any liability on the part of the manufacturer for resulting damage and its consequences. Instructions and notes in the Metrohm product documentation must be strictly followed. Otherwise, Metrohm's liability is excluded.

Table of contents

1	Introduction	1
1.1	Instrument description	1
1.2	Accessories and additional information	3
1.3	Symbols and conventions	4
2	Safety	5
2.1	Intended use	5
2.2	Responsibility of the operator	6
2.3	Requirements for operating personnel	6
2.4	Safety instructions	7
2.4.1	General notes on safety	7
2.4.2	Electrical safety	7
2.4.3	Tubing and capillary connections	8
2.4.4	Flammable solvents and chemicals	8
2.4.5	Recycling and disposal	9
3	Overview of the instrument	10
3.1	Front	10
3.2	Rear	12
3.3	Feed-throughs for capillaries and cables	13
4	Installation	17
4.1	Setting up the instrument	17
4.1.1	Packaging	17
4.1.2	Checks	17
4.1.3	Location	17
4.2	Capillary connections in the IC system	17
4.3	Removing the handle	20
4.4	Removing transport locking screws	21
4.5	Connecting the drainage tubing and leak sensor	22
4.5.1	Installing the drainage tubing	22
4.5.2	Connecting the leak sensor	24
4.6	Column thermostat	24
4.7	Connecting the eluent bottle	25
4.8	Connecting the eluent degasser	29
4.9	Installing the high-pressure pump	29

6.9	Servicing the inline filter	85
6.10	Servicing the pulsation absorber	88
6.11	Injection valve	88
6.12	Metrohm Suppressor Module (MSM)	88
6.12.1	Notes for operating the Metrohm Suppressor Module (MSM)	88
6.12.2	Taking care of the suppressor housing	89
6.12.3	Servicing the Metrohm Suppressor Module (MSM)	89
6.13	Maintenance on the Metrohm CO₂ Suppressor (MCS)	97
6.13.1	Replacing the CO ₂ Absorber	97
6.14	Detector maintenance	98
6.15	Rinsing the sample path	98
6.16	Separation column	99
6.16.1	Separating efficiency	99
6.16.2	Protecting the separation column	100
6.16.3	Storing the separation column	100
6.16.4	Regenerating the separation column	100
7	Troubleshooting	101
7.1	101
8	Technical specifications	106
8.1	Reference conditions	106
8.2	Ambient conditions	106
8.3	Housing	106
8.4	Weight	107
8.5	Leak sensor	107
8.6	Column thermostat	107
8.7	Eluent degasser	107
8.8	High-pressure pump	108
8.9	Injection valve	109
8.10	Metrohm Suppressor Module (MSM)	109
8.11	Metrohm CO₂ Suppressor (MCS)	109
8.12	Detector	110
8.13	Sample degasser	110
8.14	Low-pressure gradient	110
8.15	Energy supply	110
8.16	Interfaces	111



Index

112

Table of figures

Figure 1	Front	10
Figure 2	Rear	12
Figure 3	Feed-throughs on the door	14
Figure 4	Openings for capillaries and cables	15
Figure 5	Ducts for capillaries	16
Figure 6	Removing the transport locking screws	21
Figure 7	Installing the eluent bottle cap	25
Figure 8	Installing the tubing weighting and aspiration filter	27
Figure 9	High-pressure pump with purge valve	30
Figure 10	Inline filter	31
Figure 11	Pulsation absorber	31
Figure 12	Exchanging the sample loop	33
Figure 13	Metrohm Suppressor Module (MSM) – Connection capillaries	37
Figure 14	Connecting the MCS	43
Figure 15	Low-pressure gradient	50
Figure 16	Column thermostat	68
Figure 17	High-pressure pump – Parts	72
Figure 18	High-pressure pump – Cross-section	79
Figure 19	Tool for piston seal (6.2617.010)	80
Figure 20	Removing the piston cartridge from the pump head	80
Figure 21	Inserting the piston seal into the tool	81
Figure 22	Parts of the piston cartridge	82
Figure 23	Inline filter – Removing the filter	86
Figure 24	Parts of the Metrohm Suppressor Module (MSM)	89

1 Introduction

1.1 Instrument description

The 940 Professional IC Vario is a professional ion chromatograph. It is distinguished by:

- Its intelligence: All of the functions are monitored, optimized and documented in an FDA-compatible manner. Intelligent components, such as iColumns, save important data onto a chip.
- Its compact design: It has a small footprint.
- Its modularity: It provides flexibility for use in various applications. It can hold up to three modules for different functions in its three drawers. Individual modules can be swapped or added as needed.
- Its transparency: All components are easily accessible and located for simple visibility and can be monitored during operation through a large window.
- Its safety: The wet end and the electronics are physically separated. This prevents fluids from coming into contact with the electronics to a large extent. A leak sensor is integrated into the wet end.
- Its environmental compatibility.
- Its low noise emission.
- The intelligent MagIC Net™ software

The 940 Professional IC Vario is operated solely using the MagIC Net software. A USB cable is used to connect the device to a computer with MagIC Net installed. The intelligent software detects the device automatically and checks its functionality. The software controls and monitors the device, evaluates the measured data and manages it in a database.

The 940 Professional IC Vario ONE/SeS/LPG consists of the following modules:

Housing

The sturdy housing contains the instrument's electronic components, including their interfaces and three connections for separation columns (two of which are built into the installed column thermostat). In addition, the housing provides space for two detectors (conductivity detectors or amperometric detectors) and up to three plug-ins with different functions. Capillaries and cables can be fed into and out of the instrument through several openings.

**Leak sensor**

The leak sensor detects leaking liquid that collects in the instrument's base tray. Liquid that leaks in the instrument is routed to the base tray using drainage tubing and detected there.

Column thermostat

The column thermostat regulates the temperature for the separation columns and the eluent, thereby providing stable measuring conditions. The interior of the column thermostat can be heated and cooled. There are two column holders with chip readers in the column thermostat.

Eluent degasser

The eluent degasser removes gas bubbles and dissolved gases from the eluent.

High-pressure pump

The intelligent and low-pulsation high-pressure pump pumps the eluent through the IC system. It is equipped with a chip where its technical specifications and "life history" (operating hours, service data, etc.) are stored.

Inline filter

Inline filters protect the separation column reliably from potential contamination from the eluent. The filter pads with 2 µm pore size can be replaced quickly and easily. They remove particles from the solutions, such as bacteria and algae.

Pulsation absorber

The pulsation absorber protects the separation column from damage caused by pressure fluctuations, e.g. when the injection valve is switched, and reduces interfering pulsations during highly sensitive measurements.

Injection valve

The injection valve connects the eluent path to the sample path. By a quick and precise switching of the valve, a quantity of sample solution defined by the size of the sample loop is injected and flushed to the separation column with the eluent.

Metrohm Suppressor Module (MSM)

The chemical suppressor MSM consists of the suppressor drive, a rotor and, where applicable, an adapter. The suppressor drive gives you the flexibility to use different rotors according to the principle "one drive – many rotors". Suppression rotors with different capacities and construction or a rotor for sample preparation (SPM Rotor) are readily interchangeable with appropriate adapters as needed. The rotors are not included in the

instrument's scope of delivery. The rotor required for the application and any adapter that is required must be ordered separately.

Metrohm CO₂ Suppressor (MCS)

The Metrohm CO₂ Suppressor (MCS) removes the CO₂ from the eluent stream. This lowers the background conductivity, improves detection sensitivity, and minimizes the injection peak and the system peak.

Detector

Metrohm offers a series of different detectors for various analysis tasks. A suitable detector type must be ordered as a separate device.

Sample degasser

The sample degasser removes gas bubbles and dissolved gases from the sample.

Low-pressure gradient

Up to three different eluents can be mixed using the low-pressure gradient. They are mixed in the low-pressure section, i.e., before the eluent is fed to the high-pressure pump.

Separation column

The intelligent separation column separates different components according to their interactions with the column. Metrohm separation columns are equipped with a chip where their technical specifications and history (start-up, operating hours, injections etc) are stored.

1.2 Accessories and additional information

Additional information is available on the Metrohm website (<https://www.metrohm.com>):

- Product family
- Product versions
- Accessories
- Documents about the product

Downloading the accessories list



NOTE








The accessories list is a part of the product documentation. Download the accessories list and store it as a reference.

1. Use the search function to search for the product.
2. Open the desired product version.

3. Download the accessories list.

1.3 Symbols and conventions

The following symbols and formatting may appear in this documentation:

(5-12)	Cross-reference to figure legend The first number refers to the figure number, the second to the instrument part in the figure.
1	Instruction step Perform the steps one after the other.
Method	Dialog text, parameter in the software
File ► New	Menu or menu item
[Continue]	Button or key
	WARNING This symbol draws attention to a possible life-threatening hazard or risk of injury.
	WARNING This symbol draws attention to a possible hazard due to electrical current.
	WARNING This symbol draws attention to a possible hazard due to heat or hot instrument parts.
	WARNING This symbol draws attention to a possible biological hazard.
	WARNING Warning of optical radiation
	CAUTION This symbol draws attention to possible damage to instruments or instrument parts.
	NOTICE This symbol highlights additional information and tips.

2 Safety

2.1 Intended use



NOTE

The instrument is exclusively for indoor use.

The 940 Professional IC Vario ONE/SeS/LPG is used for the determination of anions, cations or polar substances using sequential suppression using ion chromatography when the complex separation problem requires the use of gradients.

Sequential suppression consists of:

- Chemical suppression with a Metrohm Suppressor Module (MSM) and subsequent
- CO₂ suppression with the Metrohm CO₂ Suppressor (MCS).

Background conductivity is reduced to a minimum with sequential suppression.

The low-pressure mixing valve and two additional eluent degassers in the lower plug-in are used for the controlled mixing of up to three eluents.

It can also be used as needed for the determination of cations, polar substances or anions without chemical suppression.

This device is suitable for processing chemicals and flammable samples. Usage of the 940 Professional IC Vario therefore requires the user to have basic knowledge and experience in handling toxic and caustic substances. Knowledge regarding the application of fire prevention measures prescribed for laboratories is also mandatory.



2.2 Responsibility of the operator

The operator must ensure that basic regulations on occupational safety and accident prevention in chemical laboratories are observed. The operator has the following responsibilities:

- Instruct personnel in the safe handling of the product.
- Train personnel in the use of the product according to the user documentation (e.g. install, operate, clean, eliminate faults).
- Train staff on basic occupational safety and accident prevention regulations.
- Provide personal protective equipment (e.g. protective glasses, gloves).
- Provide suitable tools and equipment to carry out the work safely.

The product may be used only when it is in perfect condition. The following measures are required to ensure the safe operation of the product:

- Check the condition of the product before use.
- Remedy defects and malfunctions immediately.
- Maintain and clean the product regularly.

2.3 Requirements for operating personnel

Only qualified personnel may operate the product. Qualified personnel are persons who meet the following requirements:

- Basic regulations on occupational safety and accident prevention for chemical laboratories are known and complied with.
- Knowledge of handling hazardous chemicals is present. Personnel have the ability to recognize and avoid potential dangers.
- Knowledge regarding the application of fire prevention measures for laboratories is available.
- Safety-relevant information is communicated and understood. The personnel can operate the product safely.
- The user documentation has been read and understood. The personnel operate the product according to the instructions in the user documentation.

2.4 Safety instructions

2.4.1 General notes on safety



WARNING

Operate this instrument only according to the information contained in this documentation.

This instrument left the factory in a flawless state in terms of technical safety. To maintain this state and ensure non-hazardous operation of the instrument, the following instructions must be observed carefully.

2.4.2 Electrical safety

The electrical safety when working with the instrument is ensured as part of the international standard IEC 61010.



WARNING

Only personnel qualified by Metrohm are authorized to carry out service work on electronic components.



WARNING

Never open the housing of the instrument. The instrument could be damaged by this. There is also a risk of serious injury if live components are touched.

There are no parts inside the housing which can be serviced or replaced by the user.

Supply voltage



WARNING

An incorrect supply voltage can damage the instrument.

Only operate this instrument with a supply voltage specified for it (see rear panel of the instrument).

Protection against electrostatic charges



WARNING

Electronic components are sensitive to electrostatic charges and can be destroyed by discharges.

Do not fail to pull the power cord out of the power socket before you set up or disconnect electrical plug connections at the rear of the instrument.

The device is to be operated only with the door closed.

2.4.3 Tubing and capillary connections



CAUTION

Leaks in tubing and capillary connections are a safety risk. Tighten all connections well by hand. Avoid applying excessive force to tubing connections. Damaged tubing ends lead to leakage. Appropriate tools can be used to loosen connections.

Check the connections regularly for leakage. If the instrument is used mainly in unattended operation, then weekly inspections are mandatory.

2.4.4 Flammable solvents and chemicals



WARNING

All relevant safety measures are to be observed when working with flammable solvents and chemicals.

- Set up the instrument in a well-ventilated location (e.g. fume cupboard).
- Keep all sources of flame far from the workplace.
- Clean up spilled liquids and solids immediately.
- Follow the safety instructions of the chemical manufacturer.

2.4.5 Recycling and disposal



Properly dispose of chemicals and of the product to reduce negative effects on the environment and public health. Local authorities, waste disposal companies or dealers provide more detailed information on disposal. Observe the WEEE EU directive (WEEE = Waste Electrical and Electronic Equipment) for the proper disposal of waste electronic equipment within the European Union.



3 Overview of the instrument

3.1 Front

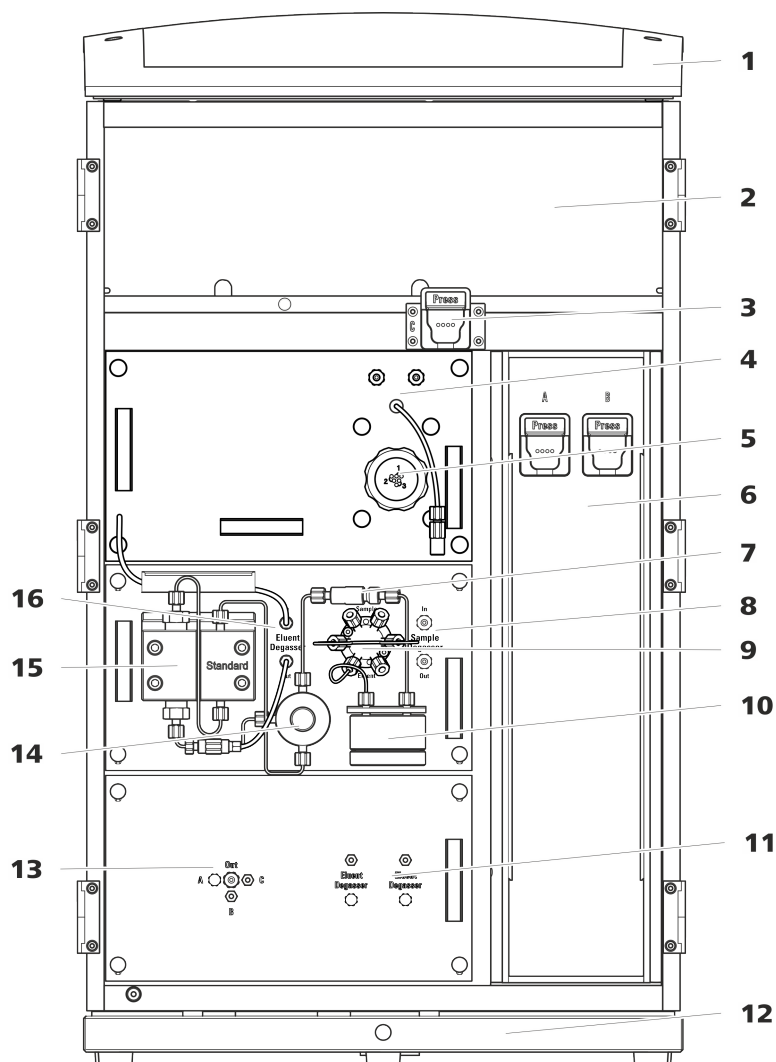


Figure 1 Front

1 Bottle holder

Offers space for the eluent bottle(s) and additional accessories.

2 Detector chamber

Offers space for two embedded detectors and additional accessories.

3 Column holder

For a third separation column outside the column thermostat.

4 Metrohm CO₂ Suppressor (MCS)

5 Metrohm Suppressor Module (MSM)	6 Column thermostat With two column holders for two separation columns.
7 Inline filter	8 Sample degasser
9 Injection valve	10 Pulsation absorber
11 Eluent degasser Two eluent degassers for two additional eluents.	12 Base tray With leak sensor.
13 Low-pressure mixing valve	14 Purge valve For purging the high-pressure pump.
15 High-pressure pump	16 Eluent degasser



3.2 Rear

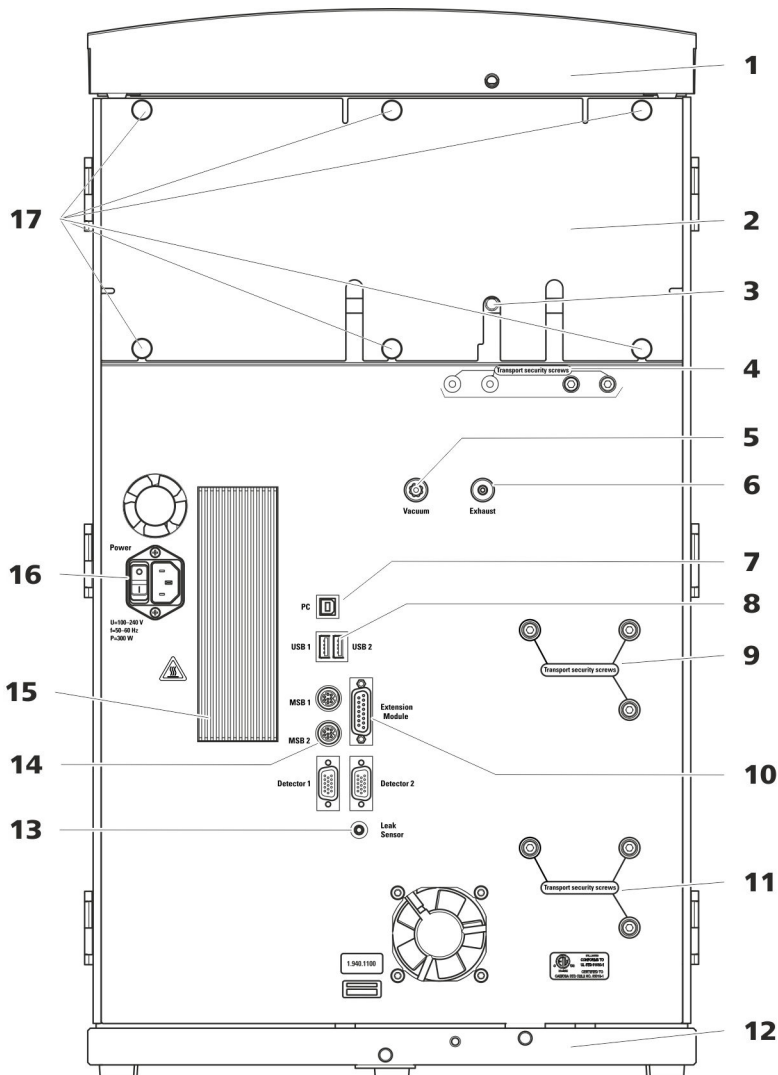


Figure 2 Rear

- 1 Bottle holder**
Offers space for the eluent bottle(s) and additional accessories.
- 3 Drainage tubing connection**
For connecting the drainage tubing, which guides escaped liquids away from the detector chamber.

- 2 Back panel**
Removable. Enables access to the detector chamber.
- 4 Transport locking screws**
For securing the vacuum pump(s) when transporting the instrument. Up to two vacuum pumps can be installed in an instrument. Only two transport locking screws are used if just one vacuum pump is installed.

<p>5 Vacuum connection For connecting an Extension Module that has a degasser but not its own vacuum pump. This connection has to be firmly sealed with a stopper when not in use.</p>	<p>6 Exhaust opening Labeled <i>Exhaust</i>. For extracting the air from the vacuum chamber.</p>
<p>7 PC connection socket For connecting the instrument to the computer with the USB cable (6.2151.020).</p>	<p>8 USB connection sockets Labeled <i>USB 1</i> and <i>USB 2</i>. For connecting USB devices.</p>
<p>9 Transport locking screws For securing the high-pressure pump (in the middle plug-in) when transporting the instrument.</p>	<p>10 Extension Module connection socket Labeled <i>Extension Module</i>. For connecting the cable (6.2156.060) used for connecting the instrument to the Extension Module.</p>
<p>11 Transport locking screws For securing the high-pressure pump (in the bottom plug-in) when transporting the instrument. These screws are only installed if a plug-in with a high-pressure pump is used in the bottom slot.</p>	<p>12 Base tray With leak sensor and leak sensor cable.</p>
<p>13 Leak sensor connection socket Labeled <i>Leak Sensor</i>. For connecting the leak sensor connection cable coiled up in the base tray.</p>	<p>14 MSB connection sockets Labeled <i>MSB 1</i> and <i>MSB 2</i>. For connecting MSB devices.</p>
<p>15 Cooler For cooling the power supply unit. May become hot!</p>	<p>16 Power socket Power socket for connecting the power cable and power switch for switching the instrument on and off.</p>
<p>17 Knurled screws For fastening the removable back panel.</p>	

3.3 Feed-throughs for capillaries and cables

Multiple openings are available for leading capillaries into the instrument and for leading capillaries and cables out of the instrument:

- Openings on the door (*see figure 3, page 14*)
- Openings on the back panel
- Ducts between the instrument and the base tray as well as between the instrument and the bottle holder (*see figure 5, page 16*)



Openings on the door

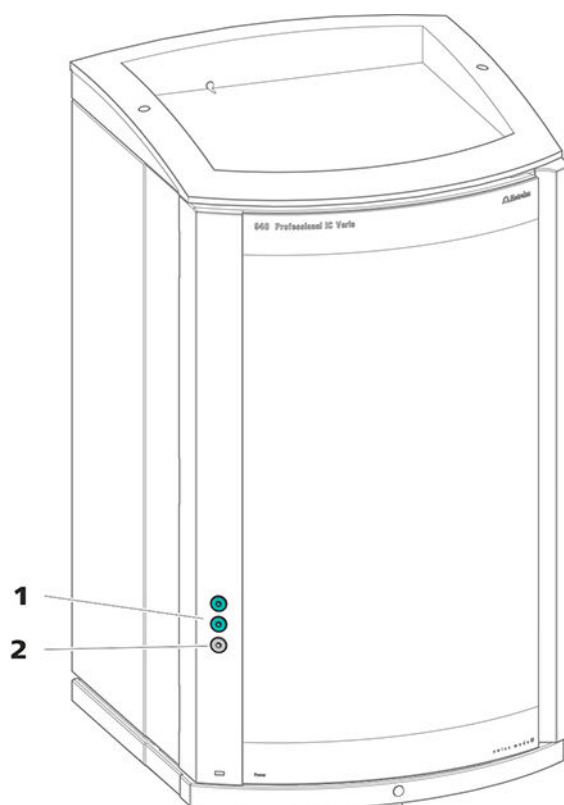


Figure 3 Feed-throughs on the door

1 Luer connector

For connecting a capillary from inside and for inserting a syringe (6.2816.020) from outside. For manual sample injection.

2 Opening for capillaries

For up to 3 capillaries.

An opening for up to 3 capillaries is located on the door of the instrument.

The two Luer connections above are not actually openings; the capillaries are fastened to the Luer connection from within using PEEK pressure screws. You can use a syringe to inject or draw out liquid from the outside.

Openings on the back panel

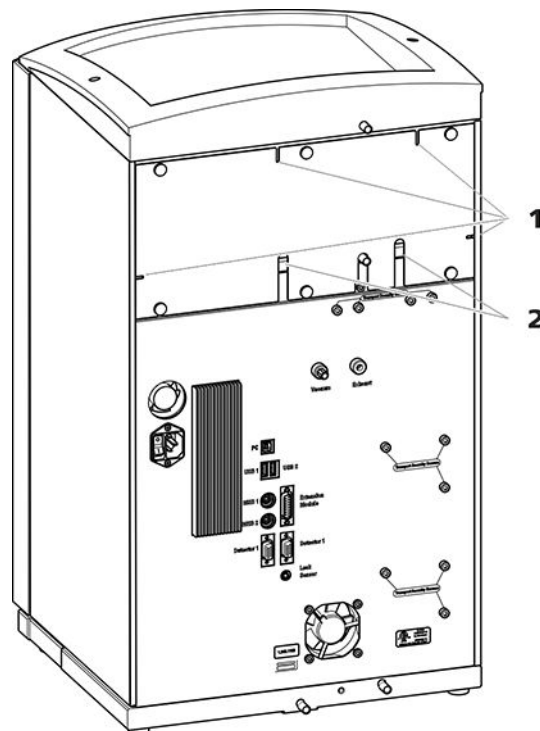


Figure 4 Openings for capillaries and cables

1 Openings for capillaries

2 Openings for cables

The removable back panel is outfitted with openings through which capillaries and cables can be lead out of the detector chamber.

Ducts for capillaries

There are ducts for capillaries between the instrument and base tray as well as between the instrument and the bottle holder. The capillaries can be fed to the front of the instrument from both sides of the instrument and from the front of the instrument to the back of the instrument.

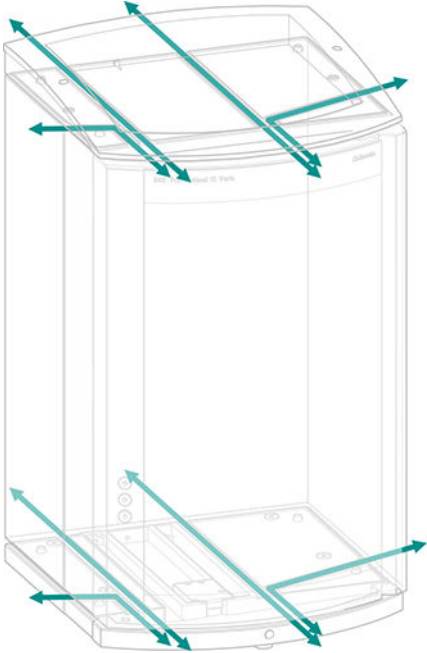


Figure 5 Ducts for capillaries

4 Installation

4.1 Setting up the instrument

4.1.1 Packaging

The instrument is supplied in protective packaging together with the separately packed accessories. Keep this packaging, as only this ensures safe transportation of the instrument.

4.1.2 Checks

Immediately after receipt, check whether the shipment has arrived complete and without damage by comparing it with the delivery note.

4.1.3 Location

The instrument has been developed for operation indoors and may not be used in explosive environments.

Place the instrument in a location of the laboratory which is suitable for operation and free of vibrations and which provides protection against corrosive atmosphere and contamination by chemicals.

The instrument should be protected against excessive temperature fluctuations and direct sunlight.

4.2 Capillary connections in the IC system

Generally speaking, capillary connections between 2 components of an IC system are made up of one connection capillary and 2 pressure screws used to connect the capillary to the respective components.

Pressure screws

Three types of pressure screws are used in the IC system:

Number	Designation	Use
6.2744.010 / 6.2744.014	Pressure screw	On the injection valve
6.2744.070	Pressure screw, short	High-pressure pump, purge valve, inline filter, pulsation absorber, separation columns
6.2744.090	Pressure screw, long	MCS, sample degasser, 10-port valve

Pressure screws are tightened and loosened by hand. A tool is not needed.

occurs if 2 capillary ends connected to each other do not fit exactly, thus allowing liquid to escape. There are 2 possible causes for this:

- The capillary ends do not have exactly flat edges.
- The two capillary ends do not completely meet.

One prerequisite for dead-volume-free capillary connection is that both capillary ends are cut exactly flat. Therefore we recommend cutting PEEK capillaries only with a capillary cutter (6.2621.080).

Also see: *Cutting capillaries* video on the Internet <http://ic-help.metrohm.com>.

Creating dead-volume-free capillary connections

To create dead-volume-free capillary connections, proceed as follows:

- 1** Wipe off the end of the capillary with a cloth dampened with acetone.
- 2** Slide the pressure screw over the capillary. Ensure that the capillary protrudes 1 to 2 mm from the tip of the pressure screw.
- 3** Push the capillary into the connection or coupling as far as it will go and hold it there.
- 4** Only then start turning the pressure screw. Hold the capillary in the stop position while turning it shut.

Colored sleeves for PEEK capillaries

The enclosed set of varicolored sleeves for PEEK capillaries (6.2251.000) serves to easily differentiate the various flows of liquid in the system through color coding. Each capillary conveying a given liquid (e.g. eluent) can be marked with sleeves of the same color.

- 1** Slide a colored sleeve of a selected color over a capillary and move it to an easily visible position.
- 2** Heat the colored sleeve, e.g. with a hairdryer.

The colored sleeve shrinks and adapts to the shape of the capillary.



NOTE

In order to arrange capillaries more clearly, they can be bundled with the spiral band (6.1815.010).



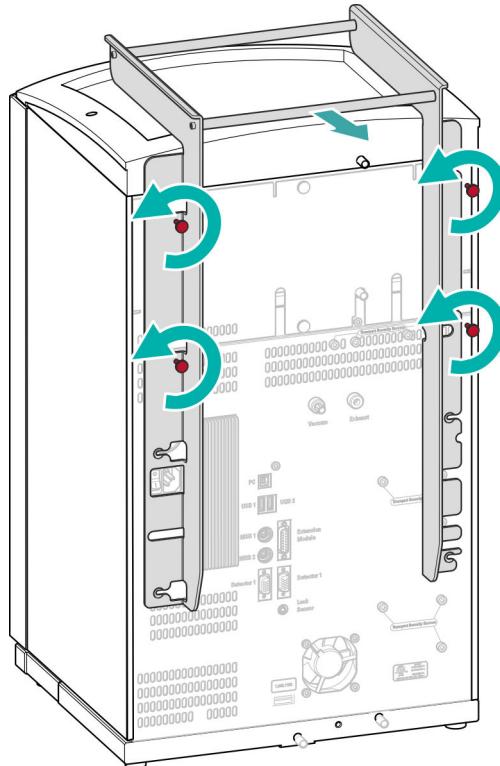
4.3 Removing the handle

The instrument is equipped with a handle in order to make it easier to transport. The handle can be removed once the instrument is in place in the lab.

Accessories

You do not need any accessories for the following work steps.

Removing the handle



1 Removing the handle

- Unscrew the four knurled screws.
- Remove the handle.

4.4 Removing transport locking screws

To avoid damage to the drives for the high-pressure pump and the vacuum pump during transport, the pumps are secured with transport locking screws. These are located at the rear of the instrument and labeled with **Transport security screws**.

Remove these transport locking screws before the initial start-up.

Accessories

For this step you need:

- 4 mm hex key (6.2621.030)

Removing the transport locking screws

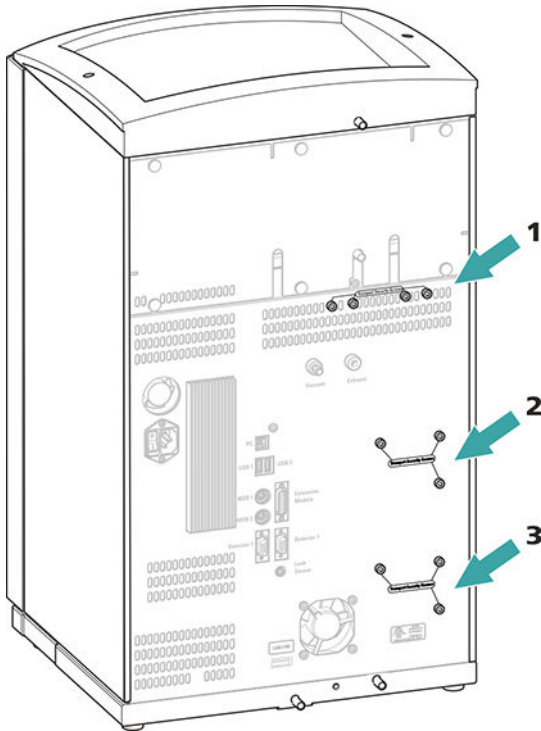


Figure 6 Removing the transport locking screws

1 Transport locking screws
For the vacuum pump.

2 Transport locking screws
For the high-pressure pump.

3 Transport locking screws
For an additional high-pressure pump in the bottom drawer.

1 Remove all of the transport locking screws with the hex key.



Store the transport locking screws in a safe place. Reinsert the transport locking screws each time you transport the instrument a significant distance.



CAUTION

The pumps may be damaged if you transport the instrument without inserting the transport locking screws.

4.5 Connecting the drainage tubing and leak sensor

The leak sensor detects leaking liquid that collects in the instrument's base tray. Liquid that leaks in the bottle holder or in the detector chamber is conveyed to the base tray using drainage tubing and is detected there.

If the leak sensor detects a leak in the IC system, the IC instrument is switched off. The software displays a warning.

The leak sensor functions properly only if the following preconditions are met:

- The drainage tubing is connected.
- The leak sensor connection cable is inserted into the leak sensor connection socket.
- The 940 Professional IC Vario is switched on.
- The leak sensor is switched to **active** in the software.

4.5.1 Installing the drainage tubing

Liquid that leaks in the bottle holder or detector chamber flows to the rear of the instrument. Openings on the bottle holder and in the detector chamber allow the liquid to drain. The drainage tubing has to be mounted at these openings. This drainage tubing guides the leaking liquid to the base tray where the leak sensor is located.

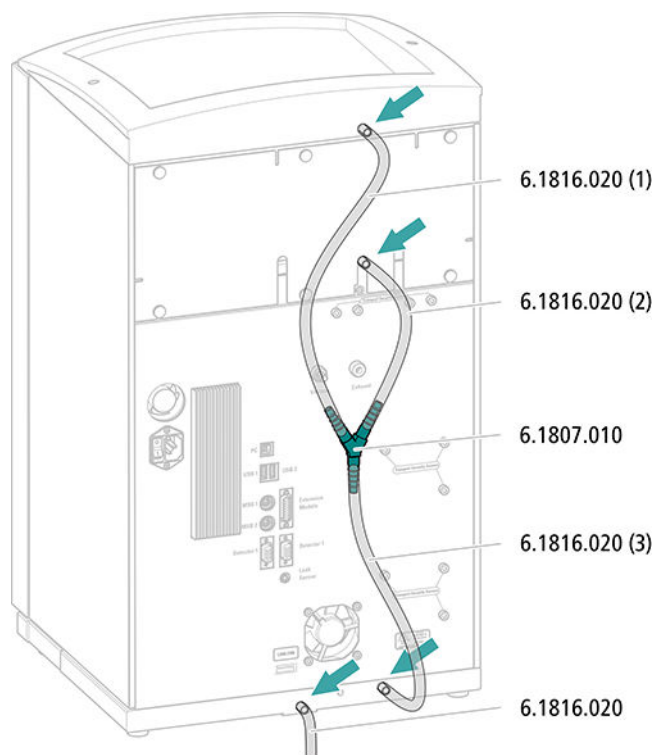
Accessories

For this step you need the following parts from the accessory kit: Vario/Flex Basic (6.5000.000):

- 2 × silicone tubing (6.1816.020)
- Y connector (6.1807.010)

You also need scissors.

Connecting the drainage tubing



- 1** Cut a piece of silicone tubing into three pieces using scissors: 2 × approx. 40 cm and 1 × 20 cm.
- 2** Attach one end of the 40 cm long piece to the drainage tubing connection on the bottle holder.
- 3** Attach one end of the 20 cm long piece to the drainage tubing connection on the detector chamber.
- 4** Attach each of the loose ends of both pieces of silicone tubing to one end of the Y connector.
- 5** Attach one end of the second 40 cm long piece to the third end of the Y connector.
Attach the loose end to the right-side drainage tubing connection on the base tray.
- 6** Attach one end of the second piece of silicone tubing to the left-side drainage tubing connection on the base tray.

4.7 Connecting the eluent bottle

The eluent is aspirated out of the eluent bottle via the eluent aspiration tubing. The eluent aspiration tubing is installed on the entry to the eluent degasser.

The tubing must be fed out of the instrument through a suitable opening (see "Openings on the back panel", page 15) before the loose end can be connected to the eluent bottle.

Accessories

For this step, you need the following accessories:

These parts are part of the *Vario/Flex ONE* accessory kit (6.5000.010).

- Eluent bottle (6.1608.070)
- The *eluent bottle cap GL 45* accessory set (6.1602.160)
This accessory set contains the bottle cap, an M6 tubing nipple, an M8 tubing nipple, two O-rings and an M6 and M8 threaded stopper.
- The *tubing adapter for aspiration filter* accessory set (6.2744.210)
This accessory set contains a filter holder, a clamping screw and tubing weighting.
- An aspiration filter (6.2821.090)
- The adsorber tube (6.1609.000)
- The SGJ clip (6.2023.020)

Connecting the eluent aspiration tubing

1 Installing the eluent bottle cap (6.1602.160)

- Start by pushing the M8 tubing nipple onto the loose end of the eluent aspiration tubing, followed by the O-ring.
- Push the loose end of the eluent aspiration tubing through the M8 opening of the bottle cap and screw it on for the time being.

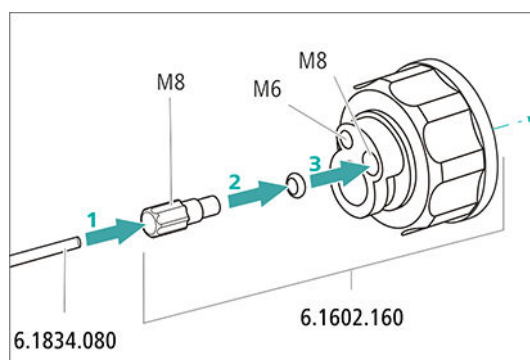


Figure 7 Installing the eluent bottle cap



2 Mounting the tubing adapter

Install the parts of the *tubing adapter for aspiration filter* (6.2744.210) accessory set:

- Start by pushing the tubing weighting onto the loose end of the eluent aspiration tubing.
- Then push the clamping screw onto the loose end of the eluent aspiration tubing.
- Lastly, push the filter holder onto the loose end of the eluent aspiration tubing and screw it onto the tubing nipple. The end of the tubing should extend approximately 1 cm.

3 Pre-rinsing the aspiration filter



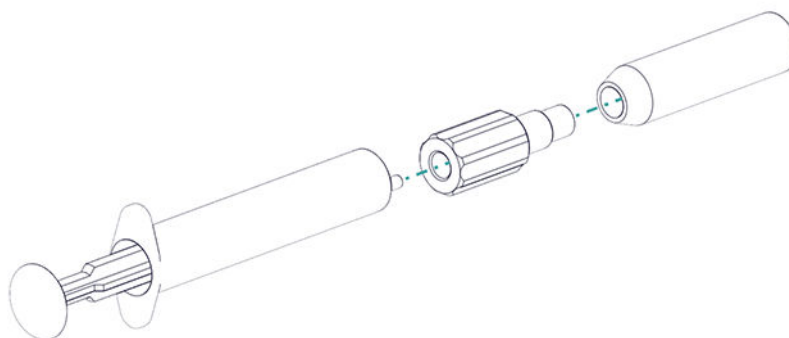
NOTE

Always wear gloves when handling the aspiration filter.

In order to avoid air bubbles after the installation of the aspiration filter, we recommend pre-rinsing the aspiration filter with ultrapure water or eluent.

For pre-rinsing, you will need the adapter Luer inner, M6 outer (6.02744.050), a syringe and a vessel with ultrapure water or eluent.

- Screw the adapter to the aspiration filter.
- Insert the syringe into the adapter.



- Immerse the aspiration filter tin a vessel with ultrapure water or eluent.
- Fill the syringe completely with ultrapure water or eluent 3 times and then empty it again each time.

4 Mounting the aspiration filter



NOTE

Always wear gloves when handling the aspiration filter.

- Place the loose end of the eluent aspiration tubing into the aspiration filter. The end of the tubing should reach approximately to the center of the aspiration filter.
- Tighten the aspiration filter to the filter holder.

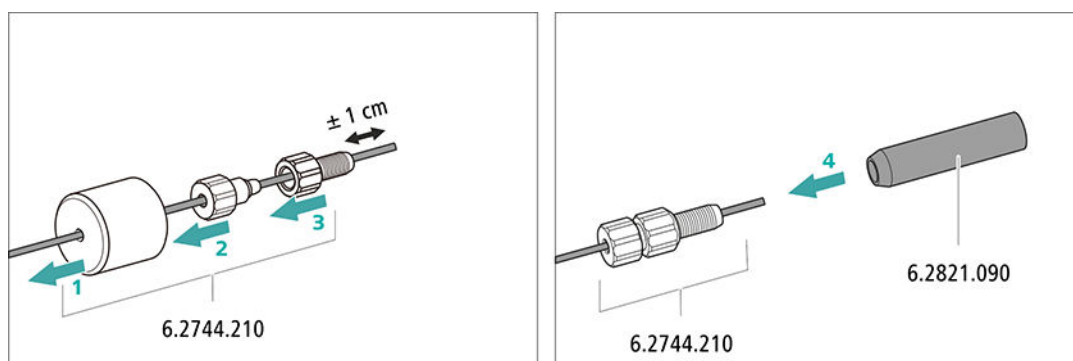
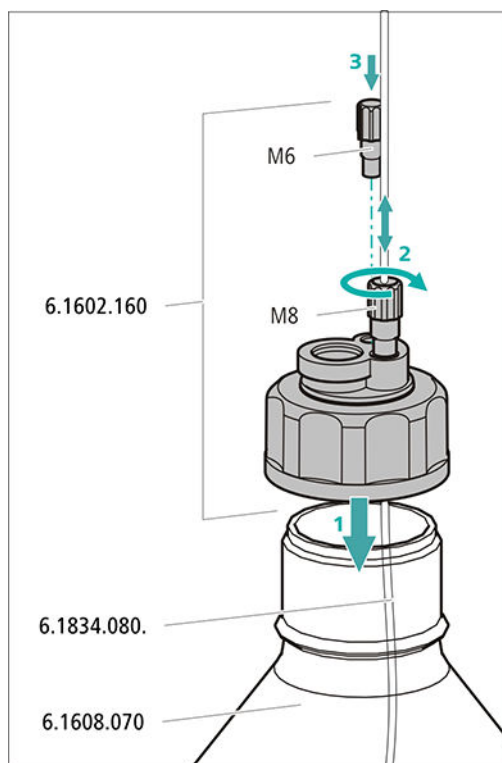


Figure 8 Installing the tubing weighting and aspiration filter

5 Installing the eluent bottle cap on the eluent bottle

- Insert the eluent aspiration tubing into the eluent bottle (6.1608.070).
- Tighten the bottle cap on the eluent bottle.
- Adjust the length of the eluent aspiration tubing so that the aspiration filter is at the bottom of the eluent bottle. Then fix it in place using the M8 tubing nipple.
- Seal the M6 opening on the bottle cap with the M6 threaded stopper from the accessory set.



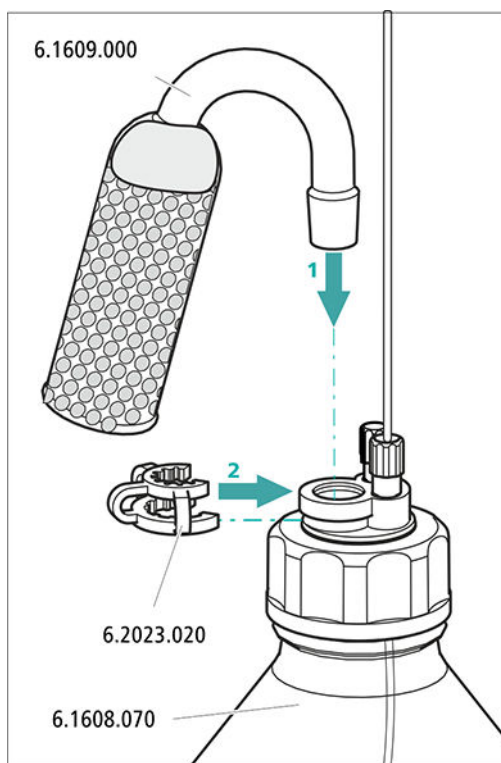
6 Mounting the adsorber tube



NOTE

Depending on the eluent used, the adsorber tube (6.1609.000) must be filled differently:

- For alkaline eluents or eluents with a low buffer capacity: first a little cotton, then with CO₂ absorber material.
 - For all other eluents: Only with cotton.
- Remove the plastic cover from the large opening of the adsorber tube. Fill the adsorber tube and close it again using the plastic cover.
 - Insert the adsorber tube into the bottle cap's large opening. Fasten it to the bottle cap using the ground-joint clip (6.2023.020).



4.8 Connecting the eluent degasser

The high-pressure pump cannot generate uniform flow if the eluent contains small gas bubbles or dissolved gas. As a result, the baseline cannot be stabilized correctly. In order to achieve good measurement results, the eluent has to be degassed before it goes into the high-pressure pump.

The eluent degasser is completely connected. No installation work is required.

4.9 Installing the high-pressure pump

The intelligent and low-pulsation high-pressure pump pumps the eluent through the system. It is equipped with a chip where its technical specifications and "life history" (operating hours, service data, etc.) are stored.

The high-pressure pump consists of:

- The pump head, which pumps the eluent through the system.
- The purge valve used for bleeding the pump head.

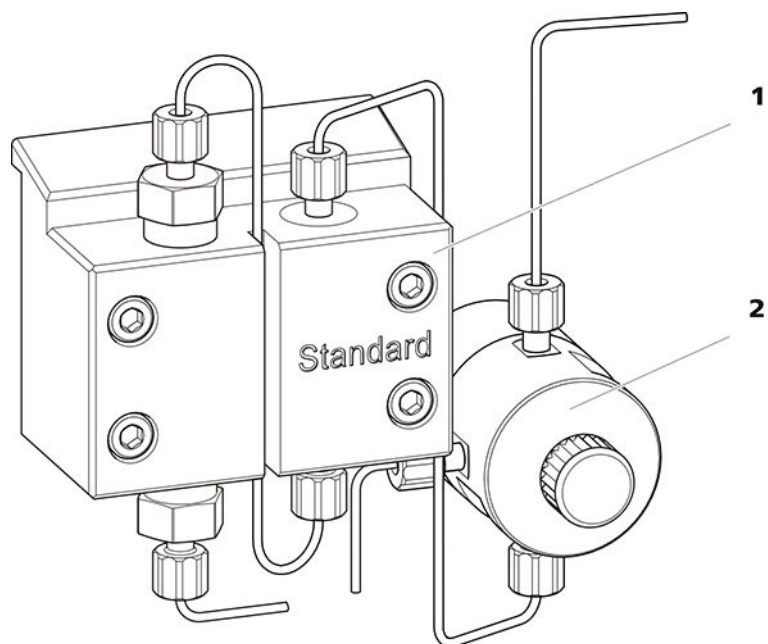


Figure 9 High-pressure pump with purge valve

1 Pump head

2 Purge valve

If the high-pressure pump is used to pump a low-pressure gradient, then the input for the high-pressure pump has to be connected to the low-pressure gradient module. Follow the instructions in *chapter Installing the low-pressure gradient, page 51*.

4.10 Installing an inline filter

Inline filters protect the separation column reliably from potential contamination from the eluent. The small filter pads with 2 µm pore size can be replaced quickly and easily. They remove particles from the solutions.

An inline filter (6.2821.120) is installed between the purge valve and the pulsation absorber as protection against particles.

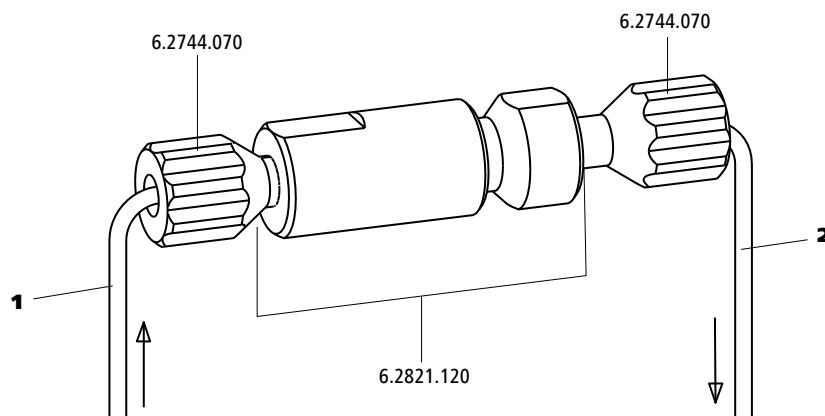


Figure 10 In-line filter

1 Inlet capillary

Connected to the purge valve.

2 Outlet capillary

Connected to the pulsation absorber.

The inline filter is completely connected. No installation work is required.

4.11 Installing the pulsation absorber

The pulsation absorber is installed between the high-pressure pump and the injection valve. It protects the separation column from damage caused by pressure fluctuations, e.g. when the injection valve is switched, and reduces interfering pulsations during highly sensitive measurements.

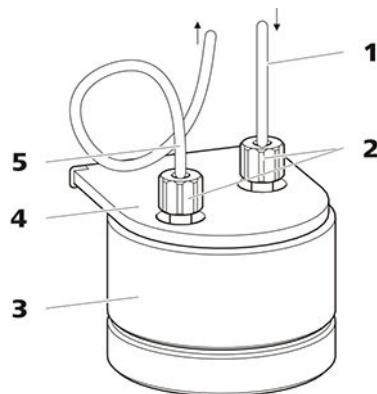


Figure 11 Pulsation absorber

1 Connection capillary

Connection to inline filter.

2 PEEK pressure screws, short (6.2744.070)**3 Pulsation absorber (6.2620.150)****4 Holder for pulsation absorber****5 Connection capillary**

Connection to injection valve.

The pulsation absorber is completely connected. No installation work is required.

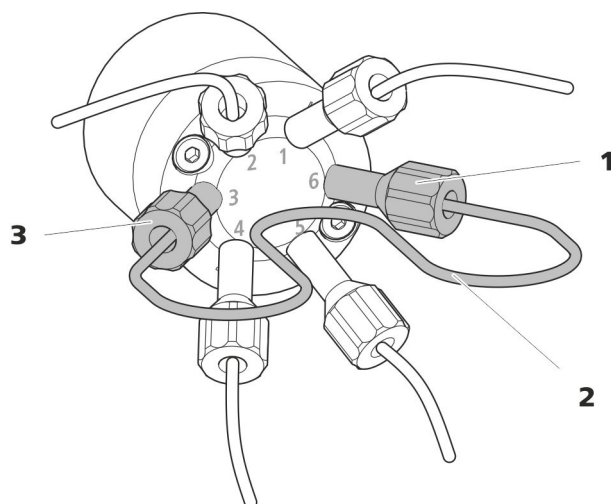


Figure 12 Exchanging the sample loop

1 Pressure screw
Fastened to Port 6.

2 Sample loop

3 Pressure screw
Fastened to Port 3.

Exchanging the sample loop



NOTE

Observe a dead-volume-free installation of the sample loop (see "Creating dead-volume-free capillary connections", page 19).

1 Removing the existing sample loop

- Loosen the pressure screws (6.2744.010) at Port 3 and Port 6.
- Remove the sample loop.

2 Installing a new sample loop

- Fasten one end of the sample loop to Port 3 using a PEEK pressure screw (6.2744.010).
- Use the second PEEK pressure screw (6.2744.010) to fasten the other end of the sample loop to Port 6.

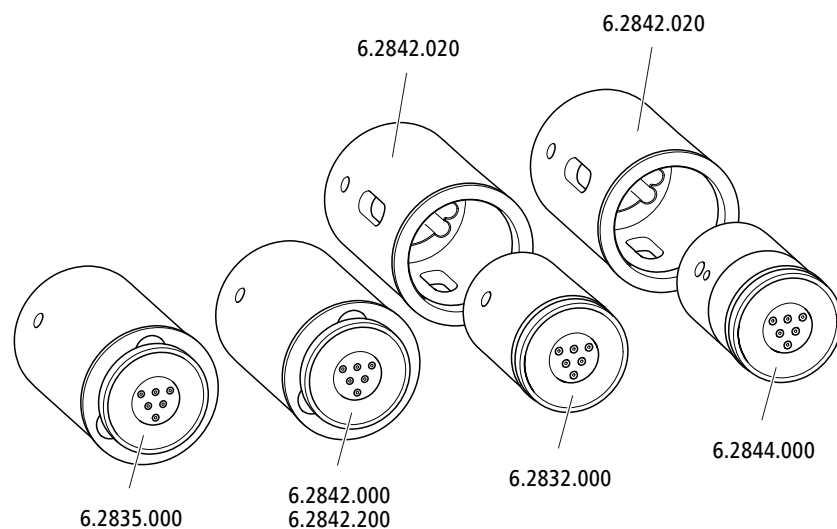


4.13 Metrohm Suppressor Module (MSM)

The suppressor drive of the 940 Professional IC Vario can hold various rotors. The large rotors, such as the SPM Rotor A (6.2835.000), the MSM-HC Rotor A (6.2842.000) and the MSM-HC Rotor C (6.2842.200) can be inserted directly.

The small rotors, such as the MSM Rotor A (6.2832.000) and the MSM-LC Rotor A (6.2844.000), must first be fitted into the adapter (6.2842.020), which can then be inserted into the suppressor housing.

A connecting piece (6.2835.010) is used for all rotors for connecting the Metrohm Suppressor Module (MSM) to the IC system.



NOTE

The instruments are supplied without rotor and without adapter.
The suitable rotor and the adapter, if required, must be ordered separately.

4.13.1 Inserting the rotors

Accessories

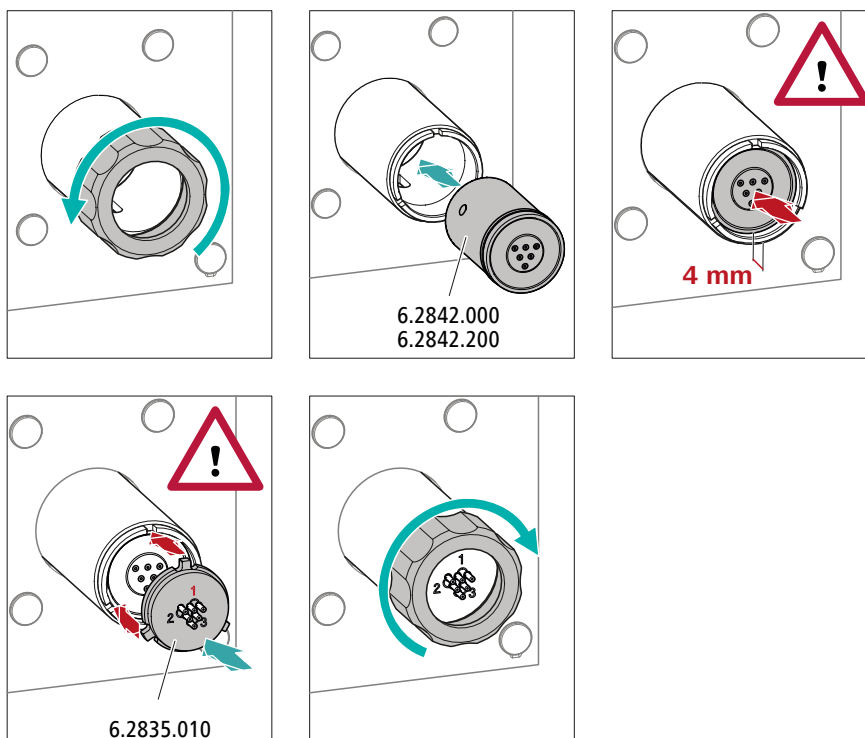
For this step, you need the following accessories:

- For suppression: MSM Rotor A (6.2832.000) or MSM-HC Rotor A (6.2842.000), MSM-LC Rotor A (6.2844.000) or MSM-HC Rotor C (6.2842.200) or MSM-HC Rotor C (6.2842.200)
- Optional: Adapter (6.2842.020)
- Connecting piece (6.2835.010)

Large rotors can be inserted directly into the rotor housing.

**CAUTION**

The rotor may be destroyed during start-up if not inserted correctly. Therefore, follow the following instructions exactly.

Inserting large rotors**1 Removing the union nut**

Loosen the union nut and remove it.

2 Inserting the rotor

- Clean the sealing surface of the rotor with ethanol using a lint-free cloth.
- Insert the rotor into the suppressor drive so that the tubing connections on the rear of the rotor fit into the corresponding recesses inside the suppressor drive and one of the three holes of the rotor is visible from below in the slot of the suppressor drive.

**NOTE**

The rotor's sealing surface is located approx. 4 mm deep inside the suppressor drive if the rotor is inserted correctly.

If this is not the case, then the rotor must be moved into the correct position using careful turning. If the rotor cannot be turned or removed, it can be moved into the correct position from below by means of a pointed object (e.g. a screwdriver).

3 Inserting the connecting piece

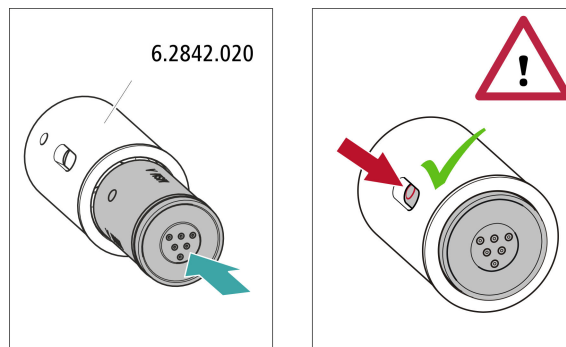
- Clean the sealing surface of the connecting piece with ethanol using a lint-free cloth.
- Insert the connecting piece into the suppressor drive so that connector 1 is on top and the 3 pins of the connecting piece fit into the corresponding recesses on the suppressor drive.

4 Attaching the union nut

Tighten the union nut on the thread of the suppressor drive by hand (do not use any tools).

Inserting small rotors

You need the adapter (6.2842.020) in order to insert a small rotor into the suppressor drive.

**1 Inserting the rotor into the adapter****CAUTION**

An incorrectly inserted rotor may be **destroyed** during start-up.

- Clean the sealing surface of the rotor with ethanol using a lint-free cloth.
- Insert the rotor into the adapter so that the tubing connections on the rear of the rotor fit into the corresponding recesses inside the adapter and one of the 3 holes of the rotor is visible in the slot of the adapter.

2 Inserting the adapter

Insert the adapter into the suppressor drive just like a large rotor (see "Inserting large rotors", page 35).

4.13.2 Connecting the Metrohm Suppressor Module (MSM)

The 3 entries and exits of the suppressor units, numbered 1, 2 and 3 on the connecting piece, each have 2 permanently installed PTFE capillaries.

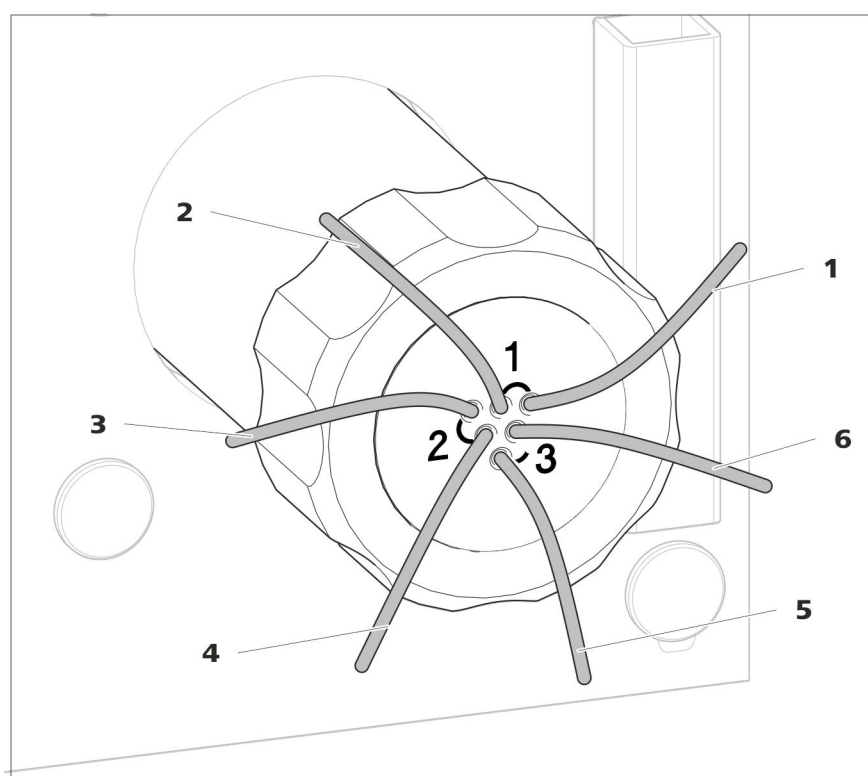


Figure 13 Metrohm Suppressor Module (MSM) – Connection capillaries

1 out
Outlet capillary for the eluent.

2 in
Inlet capillary for the eluent.



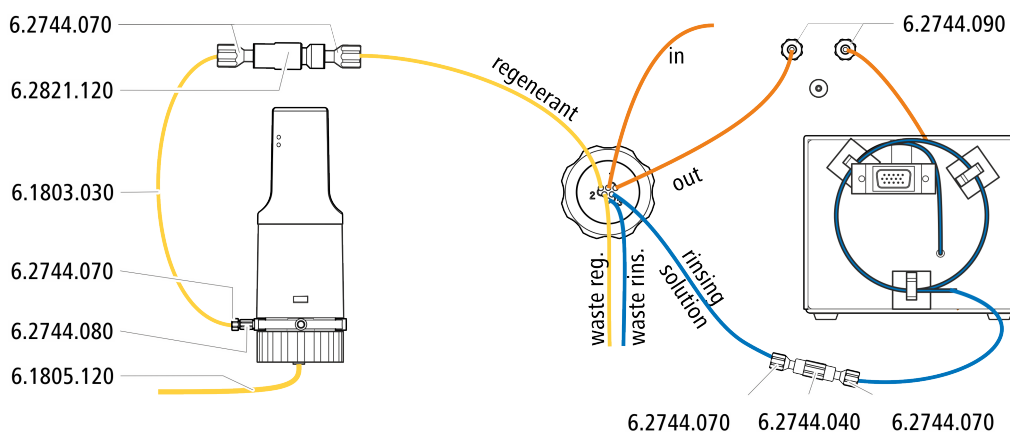
3 regenerant
Inlet capillary for the regeneration solution.

4 waste reg.
Outlet capillary for the regeneration solution; to the waste container.

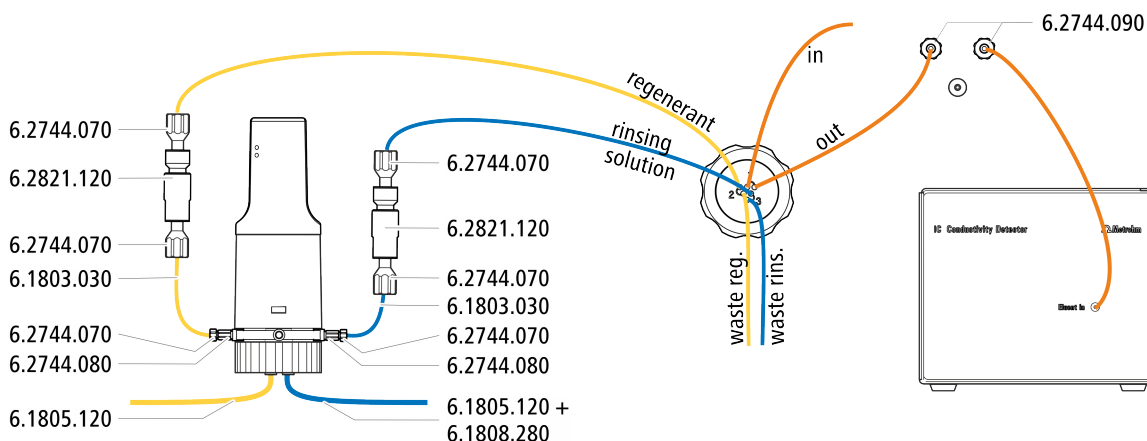
5 waste rins.
Outlet capillary for the rinsing solution; to the waste container.

6 rinsing solution
Inlet capillary for the rinsing solution.

Recommended installation



Alternative installation



4.13.2.1 Installing the eluent path

The eluent path is connected with the capillaries *in* and *out*.

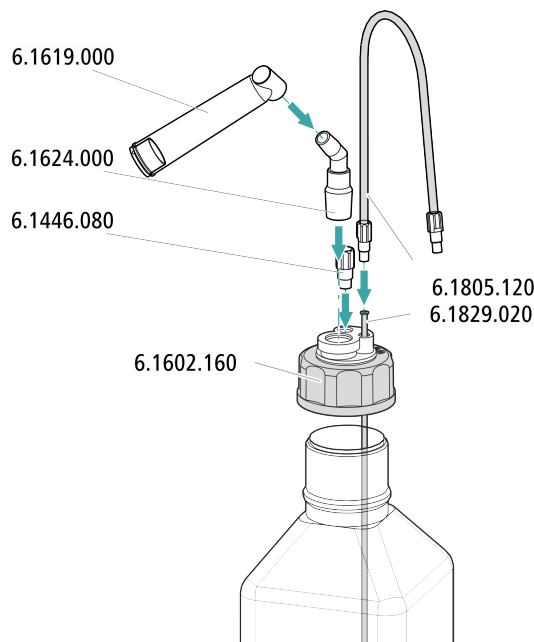
- 1** Connect the capillary labeled *in* to the exit of the separation column using a short pressure screw (6.2744.070).
- 2** Use a long pressure screw (6.2744.090) to connect the capillary labeled *out* to the inlet of the MCS (see chapter 4.14.2, page 43).

4.13.2.2 Installing bottles with auxiliary solutions

Accessories

To connect the bottles of the auxiliary solutions, you will need the following accessories:

- Accessories from the accessory kit: IC Vario/Flex SeS (6.5000.020)
- Accessories from IC equipment: Dosino Regeneration (6.5330.190)



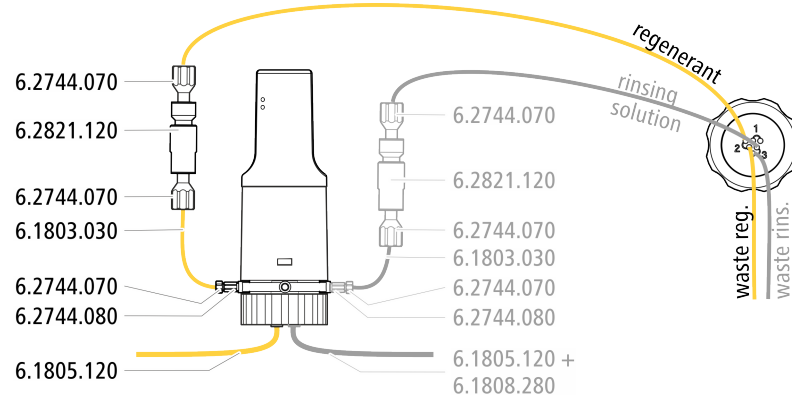
4.13.2.3 Connecting the regeneration solution

The regeneration solution is connected to the *regenerant* capillary.

Connecting the regeneration solution to a Dosino

For this step, you need the following accessories:

- Dosino (2.800.0010)
- Accessory kit: Flex/Vario: SeS (6.5000.020)
- IC equipment: Dosino Regeneration (6.5330.190)



- 1** Connect the capillary labeled *regenerant* to the exit of the inline filter (6.2821.120) using a pressure screw (6.2744.070).
- 2** Use a pressure screw (6.2744.070) to fasten a piece of the PTFE capillary (6.1803.030) to the entry of the inline filter.
- 3** Use a pressure screw (6.2744.070) and an adapter (6.2744.080) to fasten the other end of the PTFE capillary to Port 1 of the Dosino.
- 4** Connect the FEP tubing (6.1805.120) from the bottle with the regeneration solution to Port 2 of the Dosino.

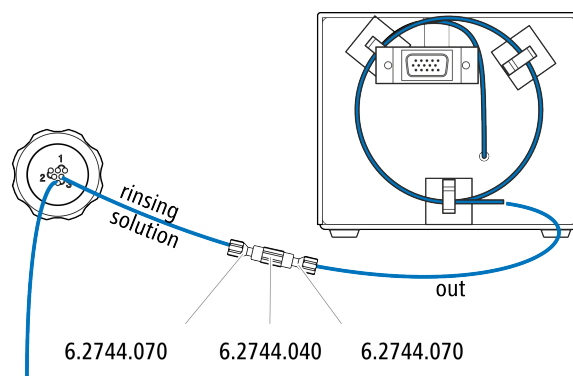
4.13.2.4 Connecting the rinsing solution

Various possibilities exist for rinsing the Metrohm Suppressor Module:

- Rinsing solution via STREAM (recommended)
Use the eluent from the conductivity detector as rinsing solution.
- Rinsing solution via Dosino
Prepare the rinsing solution in a separate bottle and convey it with a Dosino.

The rinsing solution is connected to the *rinsing solution* capillary.

Connecting the rinsing solution inlet with STREAM



- 1 Connect the detector outlet capillary of the conductivity detector and the capillary labeled *rinsing solution* to each other using a coupling (6.2744.040) and two pressure screws (6.2744.070).



NOTE

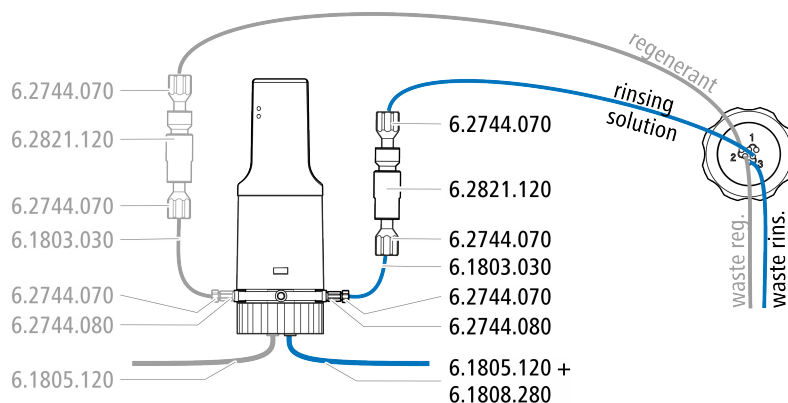
The detector outlet capillary must not be shortened.

Connecting the rinsing solution inlet to the Dosino

The *rinsing solution* capillary can be connected to the Dosino to which the *regenerant* capillary is already connected.

For this step, you need the following accessories: (not contained in its entirety in the standard accessories):

- 3 short pressure screws (6.2744.070)
- Inline filter (6.2821.120)
- PTFE capillary (6.1803.030)
- Adapter M6/UNF (6.2744.080)
- FEP tubing M6 / 100 cm (6.1805.120)
- Adapter Dosino Port 4, M6 inner (6.1808.280)



- 1 Fasten the capillary labeled *rinsing solution* to the exit of an inline filter (6.2821.120) using a pressure screw (6.2744.070).
- 2 Use a pressure screw (6.2744.070) to fasten a piece of the PTFE capillary (6.1803.030) to the entry of the inline filter.
- 3 Use a pressure screw (6.2744.070) and an adapter (6.2744.080) to fasten the other end of the PTFE capillary to Port 3 of the Dosino.
- 4 Connect the FEP tubing (6.1805.120) from the bottle with the rinsing solution with the adapter (6.1808.280) to Port 4 of the Dosino.

4.14 Metrohm CO₂ Suppressor (MCS)

4.14.1 General information on the MCS



NOTE

The Metrohm CO₂ Suppressor (MCS) is used only in conjunction with conductivity detection with chemical suppression.

The Metrohm CO₂ Suppressor (MCS) removes the CO₂ from the eluent stream. This lowers the background conductivity, improves detection sensitivity and minimizes the injection peak and carbonate peak.

CO₂ can enter the eluent flow through the sample itself or can develop due to the suppression reaction in the suppressor. Connecting the MCS between the suppressor and detector minimizes the carbonate peak in the chromatogram.

The MCS essentially consists of a degassing cell containing a capillary made from a fluoropolymer membrane. The capillary is permeable to gases. The degassing cell is connected to the vacuum pump. In the

degassing cell, the eluent is directed through the capillary made of a fluoropolymer membrane. At the same time, the vacuum pump generates a vacuum and draws in the air from the outside. The pressure and concentration difference this creates in the degassing cell relative to inside the capillary causes the CO₂ to be diffused out of the eluent flow. The ambient air is drawn in by the CO₂ Absorber to filter out the CO₂ from the air.

4.14.2 Connecting the MCS

The MCS is connected between the Metrohm Suppressor Module (MSM) and the conductivity detector.

Connecting the MCS

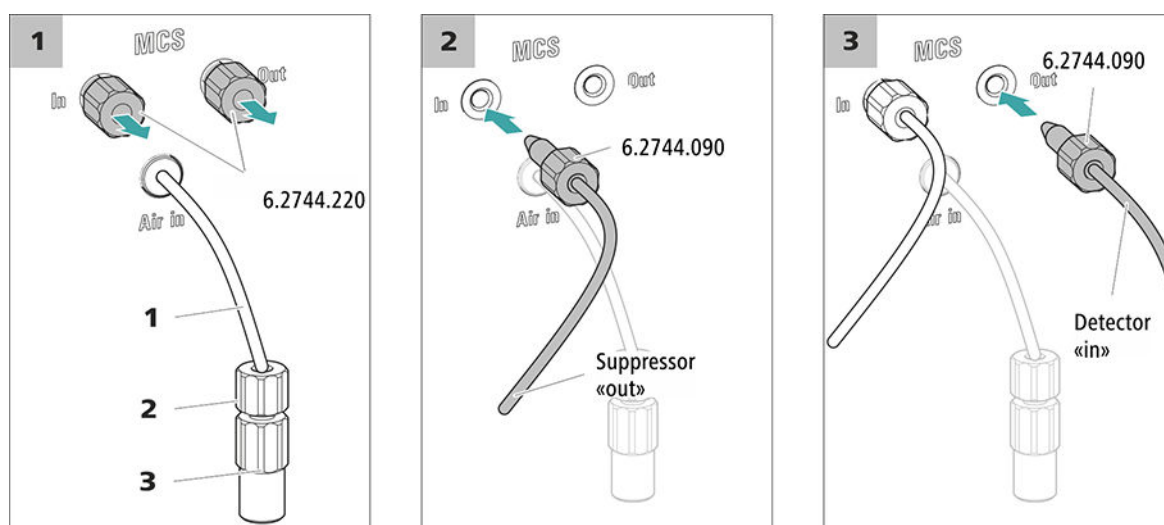


Figure 14 Connecting the MCS

1 Air aspiration capillary

For aspirating air with low CO₂ content (via the CO₂ Absorber).

2 Pressure screw, short (6.2744.070)

Installed on the air aspiration capillary.

3 Luer coupling (6.2744.120)

Mounted on the air aspiration capillary with a pressure screw (6.2744.070).

1 Removing the threaded stoppers

Remove and keep the two threaded stoppers (6.2744.220) from the inlet and outlet of the MCS.

2 Connection from the suppressor

Use a long pressure screw (6.2744.090) to connect the capillary of the MSM labeled **out** to the input of the MCS (labeled **In**).

3 Connection to the detector

Connect the inlet capillary of the conductivity detector with a long pressure screw (6.2744.090) to the MCS outlet (labeled **Out**).

**CAUTION**

If the MCS is not used, then the inlet and outlet must be sealed with the threaded stoppers (6.2744.220).

4.14.3 Installing the CO₂ Absorber

The aspirated air must have the lowest CO₂ content possible in order for the CO₂ to be removed from the eluent efficiently. In order to achieve this, the air is aspirated through the CO₂ Absorber (6.2837.100).

Accessories

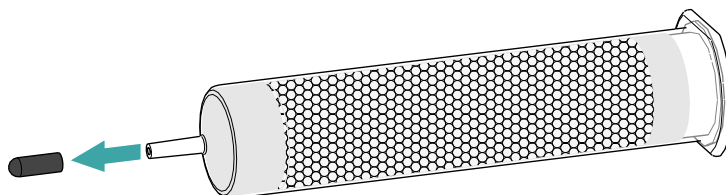
For this step, the following accessories are required:

- CO₂ Absorber (6.2837.100)
The CO₂ Absorber is in the accessory kit: Vario/Flex SeS (6.5000.020).

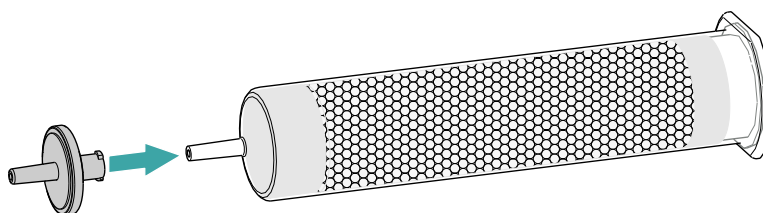
Preparing the CO₂ Absorber

Prepare the CO₂ Absorber for use as follows:

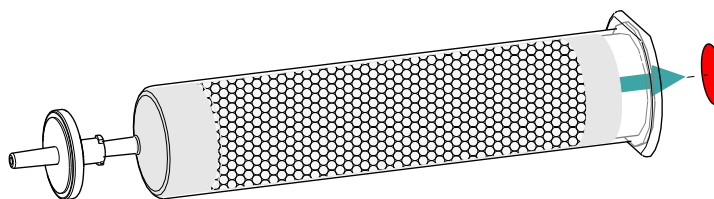
- 1** Remove the protective cap from the tip of the CO₂ Absorber.



- 2** Attach the dust filter to the tip of the CO₂ Absorber.



- 3** Remove the label from the lid of the CO₂ Absorber.



As a result, the small opening in the lid of the CO₂ Absorber is opened, through which the air is then aspirated.

The CO₂ Absorber is now ready for installation.



NOTE

The new CO₂ Absorber (6.2837.100) works **without** upstream H₂O adsorber cartridge.

Installing the CO₂ Absorber

Accessories

- Prepared CO₂ Absorber (6.2837.100)



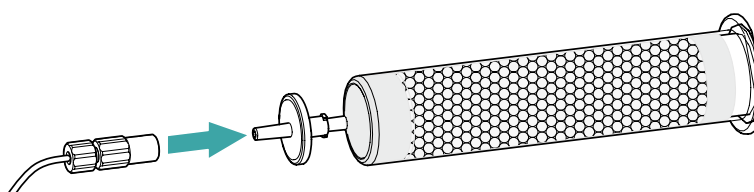
CAUTION

The following preparatory steps absolutely must be carried out for CO₂ suppression to operate correctly.

Install the CO₂ Absorber as follows:

1 Connecting the CO₂ Absorber

Attach the capillary connected to the Metrohm CO₂ Suppressor's (MCS) **Air in** connector to the tip of the CO₂ Absorber.



2 Placing the CO₂ Absorber in the instrument

- Place the CO₂ Absorber into the instrument's detector chamber.

4.15 Installing the conductivity detector

The 940 Professional IC Vario provides enough space for two detectors and additional accessories in the detector chamber. The detectors are available as separate devices and are supplied with separate manuals.

Placing the detector in the instrument

Follow the instructions in the chapter *Inserting the detector* in the manual for the detector.

Connecting the detector to the eluent path



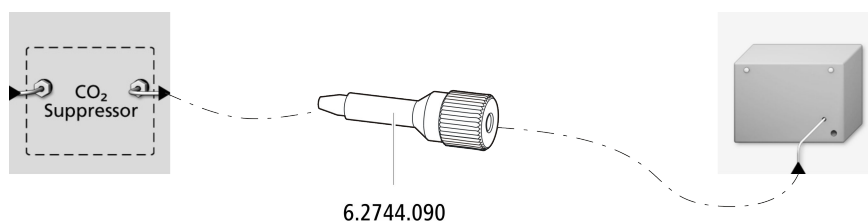
NOTE

The separation column is not inserted into the instrument until it is being started up for the first time. Until then, the detector inlet capillary has to be connected to the *out* outlet of the MCS using a long pressure screw (6.2744.090).

Accessories

For this step, you need the following accessories:

- Pressure screw, long (6.2744.090)



- 1 Tighten the detector inlet capillary to the *Out* outlet of the MCS using a long pressure screw (6.2744.090).

4.16 Installing the amperometric detector

The 940 Professional IC Vario provides enough space for two detectors and additional accessories in the detector chamber. The detectors are available as separate devices and are supplied with separate manuals.

Placing the detector in the instrument

Follow the instructions in the chapter *Inserting the detector* in the manual for the detector.

4.17 Connecting the sample degasser (optional)

Gas bubbles in the sample lead to poor reproducibility, as the amount of sample in the sample loop is not always the same. Therefore, we recommend degassing samples that contain gas before injection.



NOTE

The sample degasser does not have to be connected. We recommend only using the sample degasser if the application requires it.

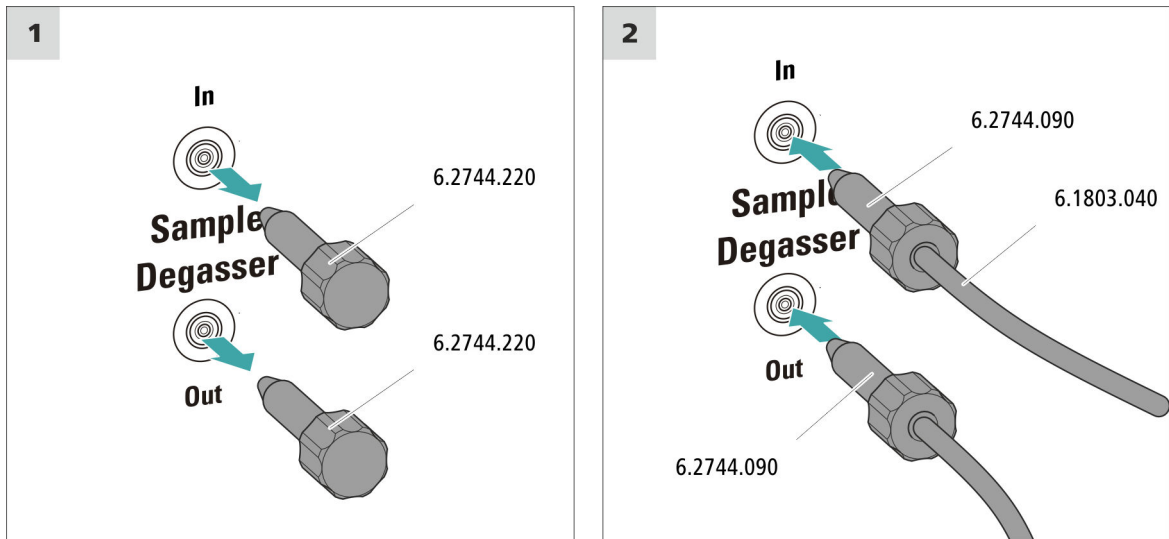
The rinsing time increases by at least two minutes when the sample degasser is connected.

Accessories

For this step, you need the following accessories:

- 2 × pressure screw, long (6.2744.090)
- PTFE capillary (6.1803.040)

Connecting the sample degasser



CAUTION

If the sample degasser is not used, the inlet and outlet **must** be sealed with threaded stoppers (6.2744.220).

1 Removing the threaded stoppers

Remove and keep the threaded stoppers (6.2744.220) from the inlet and outlet of the sample degasser.

2 Connecting the outlet capillary

- Push a long pressure screw over the loose end of the capillary connected to Port 1 of the injection valve.
- Tighten the pressure screw to the outlet of the sample degasser (labeled **Out**).

Try to ensure the shortest possible connections (shorten the capillary if necessary).

3 Connecting the inlet capillary

- Push a long pressure screw over one end of the PTFE capillary (6.1803.040) and tighten the pressure screw to the inlet of the sample degasser (labeled **In**).

- Guide the other end of the PTFE capillary (6.1803.040) out of the instrument through a capillary feed-through and connect it to the Sample Processor, if applicable.
Try to ensure the shortest possible connections (shorten the capillary if necessary).

4.18 Low-pressure gradient

Up to three different eluents can be mixed using the low-pressure gradient. The three valves are normally closed. The valves are opened long enough during each pump cycle so that the desired portion of eluent flows and then the valves are closed again. This also results in all of the valves audibly opening and closing if 100% of a solution are being pumped.

The eluent gradient generated in the mixing valve is aspirated by the high-pressure pump and led into the IC system. Due to the physical limitations of the mixing valve, the flow rate must not exceed 3 mL/min when a low-pressure gradient is used.

We recommend using the low-pressure gradient for eluent portions of 20 to 80%. The smallest possible portion of eluent can change, however, depending on the pump head being used and the selected flow rate (*see table 2, page 49*).

Table 2 Smallest possible portion of eluent based on the pump head in use and the set flow rate

Flow rate	Standard pump head	Macro pump head
1 mL/min	20%	2.5%
2 mL/min	20%	5%
3 mL/min	Not recommended	7.5%

The optimal assignment of eluents to the valves depends on the application and is outlined in the Application Notes. You can only achieve a reproducible gradient profile if this eluent-valve assignment remains unchanged.

Each eluent is degassed via a separate eluent degasser.

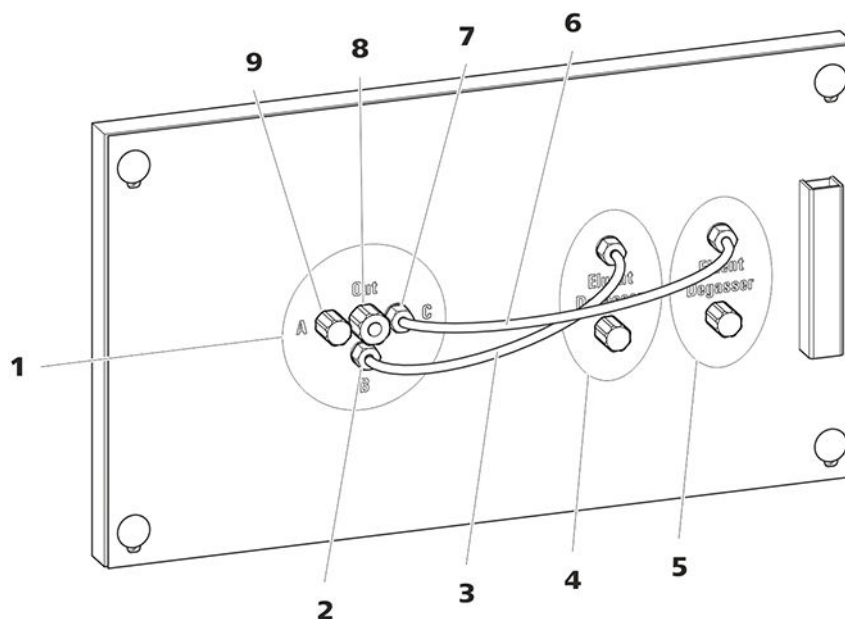


Figure 15 Low-pressure gradient

<p>1 Mixing valve</p>	<p>2 Eluent inlet B Connected to the outlet of the eluent degasser (15-4).</p>
<p>3 Connection tubing (6.1834.100) Connects the eluent degasser (15-4) and the mixing valve inlet B. Pre-installed.</p>	<p>4 Eluent degasser For eluent B.</p>
<p>5 Eluent degasser For eluent C.</p>	<p>6 Connection tubing (6.1834.110) Connects the eluent degasser (15-5) and the mixing valve inlet B. Pre-installed.</p>
<p>7 Eluent inlet C Connected to the outlet of the eluent degasser (15-5).</p>	<p>8 Eluent outlet Has to be connected to the inlet of the high-pressure pump.</p>
<p>9 Eluent inlet A Has to be connected to the eluent degasser in the middle plug-in.</p>	

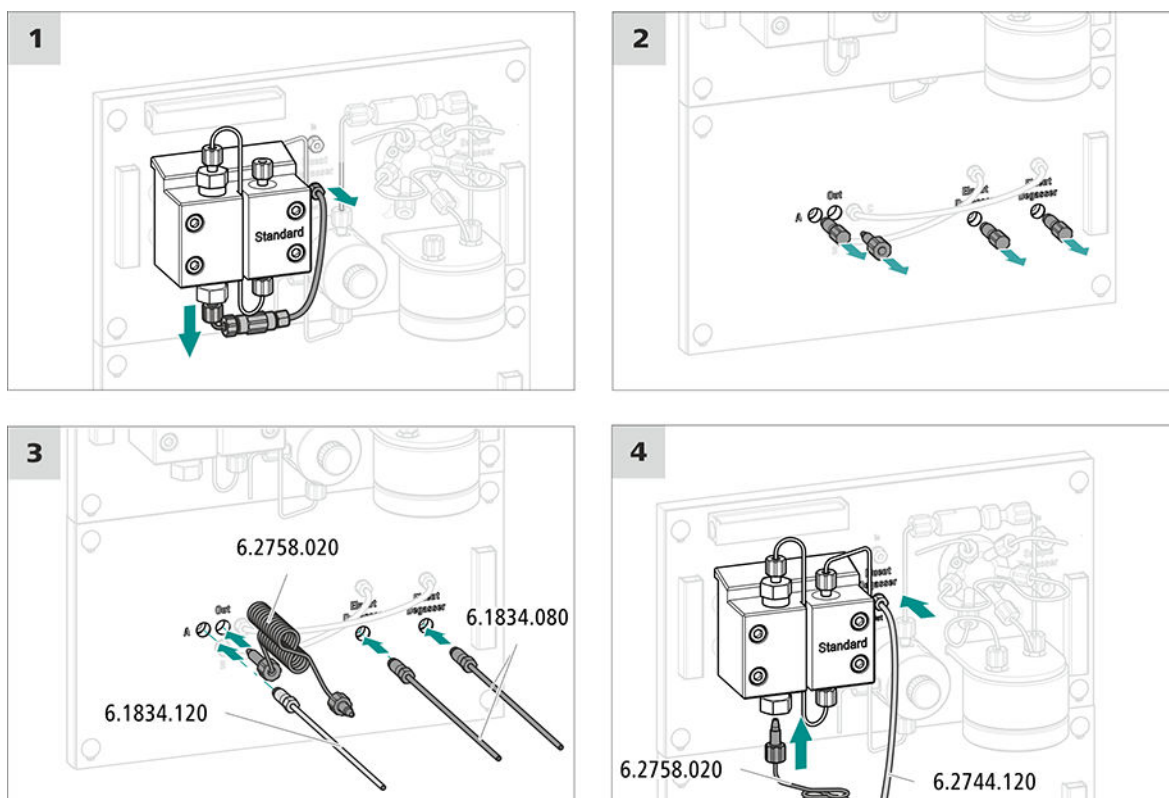
4.19 Installing the low-pressure gradient

Accessories

For this step, you need the following accessories:

- Mixing coil for low-pressure gradient (6.2758.020)
- 2 × aspiration tubing, 2 m (6.1834.080)
- Connection tubing Mixing valve – Eluent degasser (6.1834.120)

Installing the low-pressure gradient



1 Removing the connection tubing between the eluent degasser and the high-pressure pump

- Loosen the clamping screw at the outlet of the eluent degasser and remove the connection tubing.
- Loosen the pressure screw on the high-pressure pump's inlet valve holder and remove the connection tubing, the coupling and the pump head inlet capillary.

2 Removing the stoppers

- Remove the stopper at the eluent inlet **A**.
- Remove the stopper from the eluent outlet (labeled **Out**).



- Remove the two stoppers on the outlets for the two eluent degassers.

3 Connecting the mixing coil and eluent aspiration tubing in the low-pressure gradient module

- Screw the long pressure screw of the mixing coil for low-pressure gradients (6.2758.020) into the eluent outlet (**Out**).
- Screw a piece of aspiration tubing (6.1834.080) into the outlet on each of the two eluent degassers.
- Screw the connection tubing between the mixing valve and the eluent degasser (6.1834.120) into the eluent inlet **A**.

4 Connecting the mixing coil and eluent connection tubing to the middle plug-in

- Screw the connection tubing between the mixing valve and the eluent degasser (6.1834.120) into the outlet for the eluent degasser.
- Screw the short pressure screw of the mixing coil for low-pressure gradients (6.2758.020) into the high-pressure pump's inlet valve holder.

Next steps

- Connect the two aspiration tubings (6.1834.080) to an eluent bottle (see chapter 4.7, page 25).

4.20 Connecting the instrument to a computer



NOTE

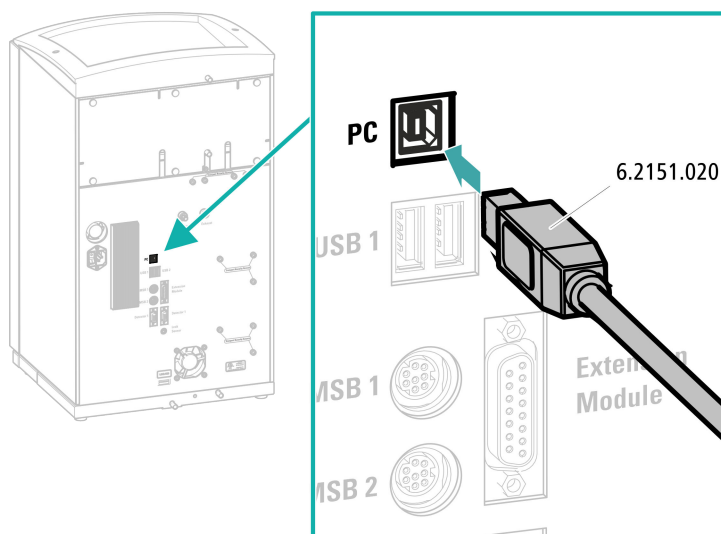
If the instrument is connected to the computer, then it must be switched off.

Accessories

For this step, you need the following accessories:

- USB connecting cable (6.2151.020)

Connecting the USB cable



- 1 Insert the USB cable into the connection socket on the rear of the instrument labeled *PC*.
- 2 Insert the other end into a USB port on the computer.

4.21 Connecting the instrument to the power grid



WARNING

Electric shock from electrical potential

Risk of injury by touching live components or through moisture on live parts.

- Never open the housing of the instrument while the power cord is still connected.
- Protect live parts (e.g. power supply unit, power cord, connection sockets) against moisture.
- Unplug the power plug immediately if you suspect that moisture has gotten inside the instrument.
- Only personnel who have been issued Metrohm qualifications may perform service and repair work on electrical and electronic parts.

Connecting the power cord

Accessories

Power cord with the following specifications:

- Length: max. 2 m
- Number of cores: 3, with protective conductor
- Instrument plug: IEC 60320 type C13
- Conductor cross-section 3x min. 0.75 mm² / 18 AWG
- Power plug:
 - according to customer requirement (6.2122.XX0)
 - min. 10 A



NOTE

Do not use a not permitted power cord!

1 Plugging in the power cord

- Plug the power cord into the instrument's power socket.
- Connect the power cord to the power grid.

4.22 Initial start-up

Even before the guard column and separation column are installed, the entire system must be completely rinsed with eluent for the first time.

Rinsing the IC system



CAUTION

The separation column and the guard column are not permitted to be installed at the time of the initial start-up.

Make sure that a coupling (6.2744.040) is being used instead of the columns.

1 Preparing the software

- Start the **MagIC Net** computer program.
- Open the **Equilibration** tab in MagIC Net: **Workplace ► Run ► Equilibration**.
- Import (or create) a suitable method.
Also see: *MagIC Net Tutorial* and online help.

2 Preparing the instrument

- Ensure that the eluent aspiration tubing is immersed in the eluent and that there is enough eluent in the eluent bottle.

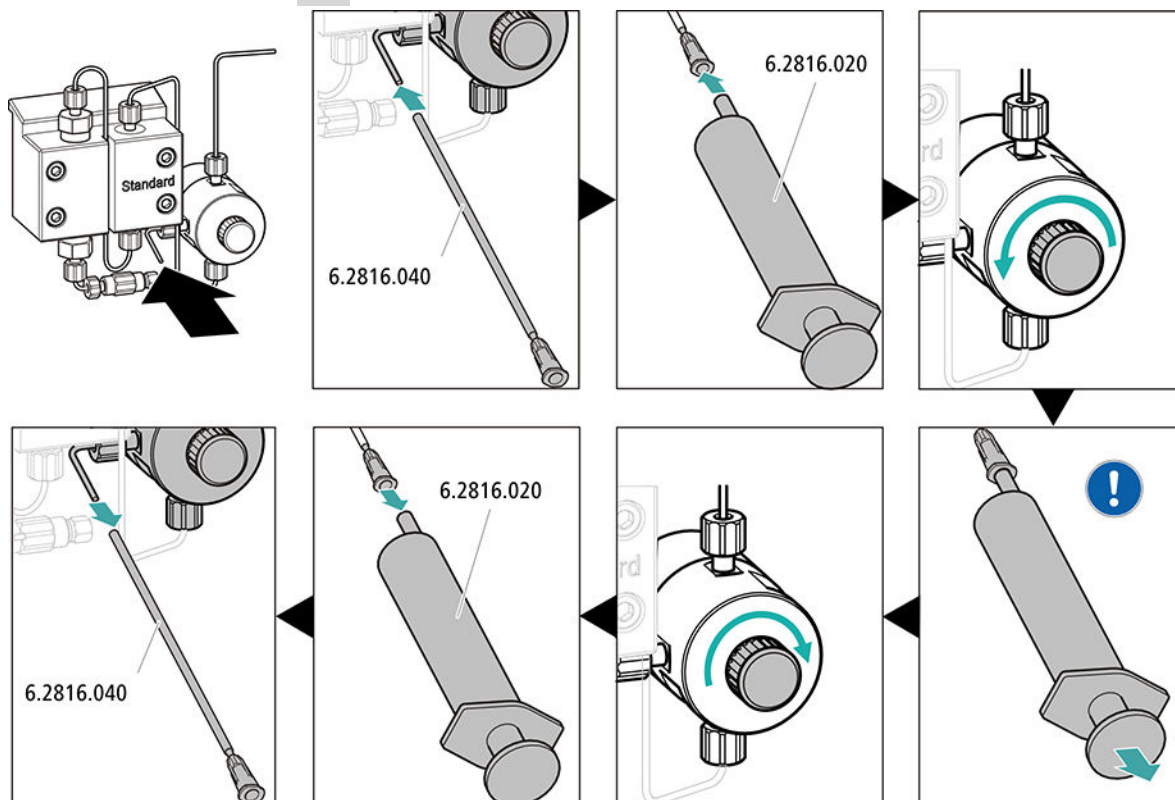
- – STREAM method (recommended): Ensure that the aspiration tubing for the regeneration solution is immersed in the solution and that there is enough solution. Check whether the detector outlet capillary is connected to the Metrohm Suppressor Module (MSM)'s inlet capillary for rinsing solution (labeled *rinsing solution*).
- Alternatively, if 2 bottles are being used for rinsing and regeneration: Ensure that the aspiration tubings for the auxiliary solutions (regeneration solution and rinsing solution) are immersed in the respective solutions and that there is enough solution in both bottles. Check whether the detector outlet capillary is guided into the waste container or is connected with the waste collector.
- Switch on the instrument.

MagIC Net detects the instrument and all of its modules.

3 Starting the equilibration

- Start the equilibration in MagIC Net: **Workplace ► Run ► Equilibration ► Start HW.**

4 Deaerating the high-pressure pump





- Push the end of the purge needle (6.2816.040) over the end of the purge capillary on the purge valve.
- Insert the syringe (6.2816.020) in the Luer connector of the purge needle.
- Open the purge valve using the rotary knob (approx. ½ turn).
- Switch on the high-pressure pump in MagIC Net.
- Use the syringe to aspirate eluent until there are no more air bubbles in the eluent aspiration tubing.
- Switch off the high-pressure pump in MagIC Net.
- Seal the purge valve using the rotary knob.
- Remove the syringe from the purge needle.
- Pull the purge needle out of the purge capillary.

5 Rinsing the instrument without columns

- Rinse the instrument (without columns) with eluent for 10 minutes.

4.23 Connecting and rinsing the guard column

Guard columns protect separation columns and significantly increase their service life. The guard columns available from Metrohm are either actual guard columns or guard column cartridges used together with a cartridge holder. The process of installing a guard column cartridge into the corresponding holder is described in the cartridge leaflet.



NOTE

Metrohm recommends always working with guard columns. Guard columns protect the separation columns and can be replaced regularly as needed.



NOTE

Information regarding which guard column is suitable for your separation column can be found in the **Metrohm Column Program** (which is available from your regional Metrohm representative), the column leaflet and the product information or in consultation with your regional Metrohm representative.

You can find product information for your separation column at <http://www.metrohm.com> in the Ion Chromatography product area.



CAUTION

New guard columns are filled with solution and sealed with stoppers or caps on both sides.

Before inserting the guard column, ensure that this solution can be mixed with the eluent being used (follow the manufacturer specification).



NOTE

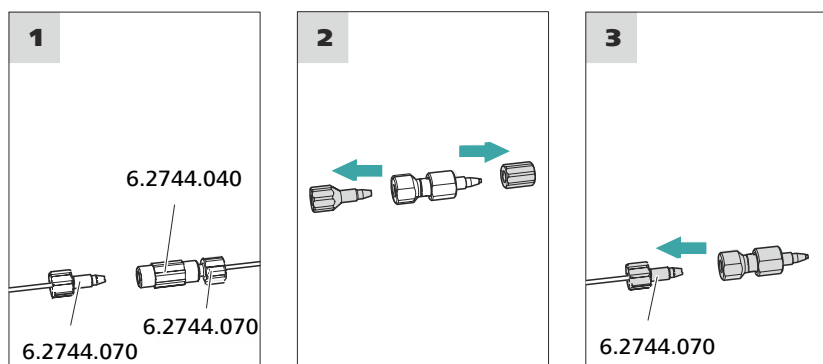
Do not connect the guard column until after the initial start-up of the instrument (see chapter 4.22, page 54). Until then, replace the guard column and the separation column with couplings (6.2744.040).

Accessories

For this step, you need the following accessories:

- Guard column (suitable for separation column)

Connecting the guard column



1 Removing the coupling

Remove the coupling (6.2744.040) installed between the column inlet capillary and the column outlet capillary for the initial start-up.

2 Preparing the guard column

- Remove the stoppers or the stopper and the sealing cap from the guard column.



3 Connecting the guard column



CAUTION

When inserting the guard column, ensure that it is inserted correctly based on the marked flow direction (if specified).

- Fasten the inlet of the guard column to the column inlet capillary using a short pressure screw (6.2744.070).
- If the guard column is connected to the separation column using a connection capillary, fasten this connection capillary to the guard column outlet with a pressure screw.

Rinsing the guard column

1 Rinsing the guard column

- Place a beaker under the guard column's outlet.
- Start manual control in MagIC Net and select the high-pressure pump: **Manual ► Manual control ► Pump**
 - **Flow:** in accordance with column leaflet
 - **On**
- Rinse the guard column with eluent for approx. 5 minutes.
- Stop the high-pressure pump in the manual control in MagIC Net again: **Off**.

4.24 Connecting and rinsing the separation column

The smart separation column (iColumn) is the heart of ion chromatographic analysis. It separates the different components according to their interactions with the column. Metrohm separation columns are equipped with a chip where their technical specifications and history (start-up, operating hours, injections etc) are stored.



NOTE

Information regarding which separation column is suitable for your application can be found in the **Metrohm Column Program**, the product information for the separation column or it can be obtained from your regional Metrohm representative.

You can find product information for your separation column at <http://www.metrohm.com> in the Ion Chromatography product area.

A test chromatogram accompanies every column. The column leaflet can be found online at <http://www.metrohm.com> with the corresponding article. Detailed information on special IC applications can be found in the corresponding **Application Bulletins** or **Application Notes**. You can find these online at <http://www.metrohm.com> in the Applications area or request them free of charge from your responsible regional Metrohm representative.



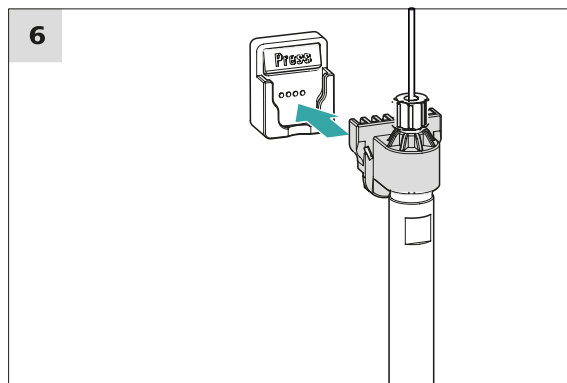
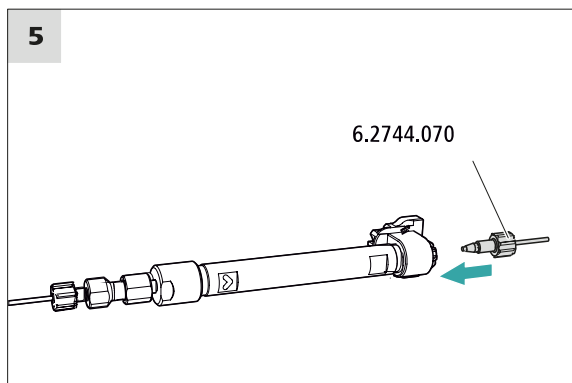
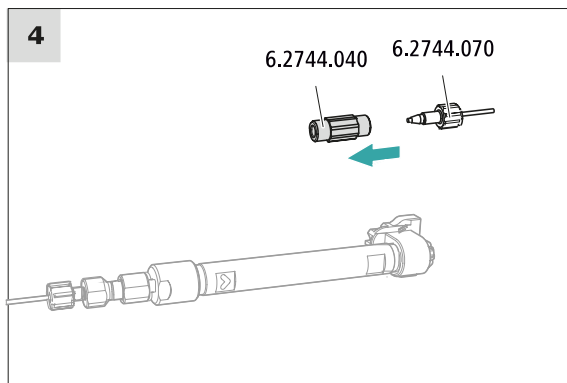
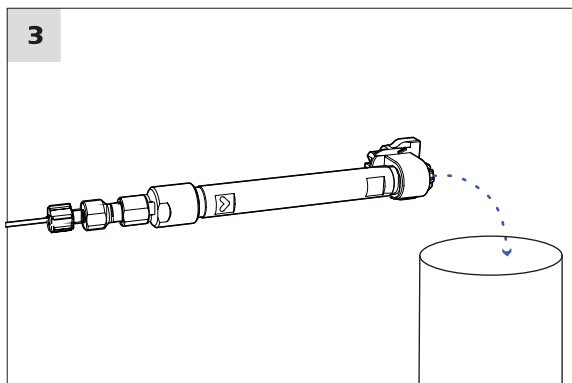
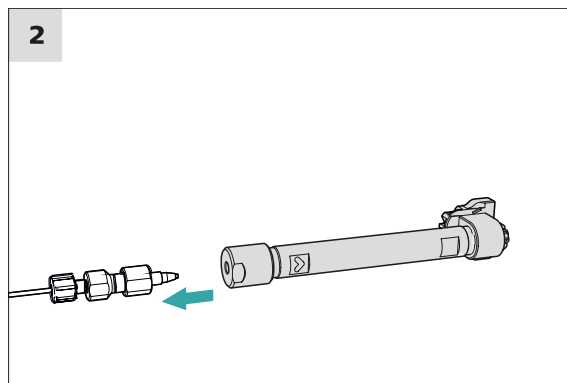
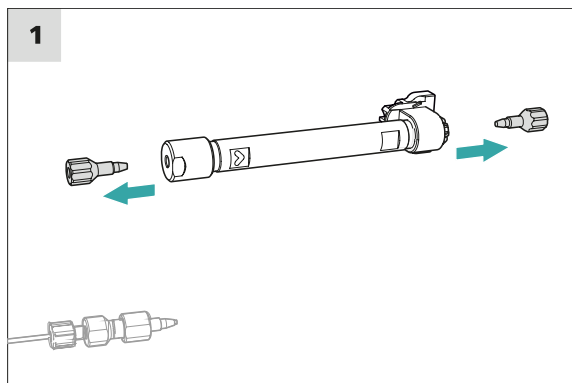
CAUTION

New IC Columns are filled with solution and sealed with stoppers on both sides. Before inserting the column, ensure that this solution can be mixed with the eluent being used (follow the information provided by the manufacturer).



NOTE

Connect the separation column only after the initial start-up of the instrument. Until that point, insert a coupling (6.2744.040) instead of the guard column and separation column.



Connecting the separation column

- 1 Removing the stoppers**
 - Remove the stoppers from the separation column.

2 Installing the inlet of the separation column



CAUTION

When inserting the column, ensure that it is inserted correctly based on the marked flow direction.

There are 3 possibilities:

- Attach the column inlet directly onto the guard column or,
- if the guard column is connected to the separation column using a connection capillary: Connect the column inlet to the guard column outlet capillary using a PEEK pressure screw (6.2744.070) or,
- if no guard column is used (not recommended): Connect the column inlet capillary to the inlet of the separation column using a short pressure screw (6.2744.070).

3 Rinsing the separation column

- Place a beaker under the outlet of the separation column.
- Start manual control in MagIC Net and select the high-pressure pump: **Manual ► Manual control ► Pump**
 - **Flow:** Increase gradually up to the flow rate recommended in the column leaflet.
 - **On**
- Rinse the separation column with eluent for approx. 10 minutes.
- Stop the high-pressure pump in the manual control in MagIC Net again: **Off**.

4 Removing the coupling

- Remove the coupling (6.2744.040) from the column outlet capillary.

5 Installing the outlet of the separation column

- Fasten the column outlet capillary to the column outlet using a short PEEK pressure screw (6.2744.070).

6 Inserting the separation column

- Insert the separation column with the chip into the column holder until you hear it snap in place.

The separation column is now detected by MagIC Net.

- Visually inspect whether all capillaries and their connections from the high-pressure pump to the detector are leak-tight. If eluent is leaking out anywhere, tighten the corresponding pressure screw further, or loosen the pressure screw, check the end of the capillary and shorten it using the capillary cutter if necessary and retighten the pressure screw.

4 Conditioning the system

Continue rinsing the system with eluent until the desired stability level for the baseline has been attained .

The instrument is now ready for measuring samples.

5 Operation

The 940 Professional IC Vario ONE/SeS/LPG is operated solely using the MagIC Net software. You can find information on operating the software in the tutorial for MagIC Net or in the online help.

6 Operation and maintenance

6.1 IC system

6.1.1 Operation

In order to avoid disruptive temperature influences, protect the analysis system, including the eluent bottle, from direct sunlight.

6.1.2 Care

The instrument requires appropriate care. Excess contamination of the instrument results in malfunctions and a reduction in the service life of the sturdy mechanical and electronic components.

The instrument must be cleaned immediately if chemicals or solvents are spilled on it. In particular, the plug connections (particularly the power plug) must be protected against contamination.



CAUTION

The instrument has been designed so that liquid is largely prevented from being able to get inside the instrument. However, unplug the power plug immediately if you suspect that corrosive media have gotten inside the instrument. This is the only way to prevent extreme damage to the instrument electronics. Notify Metrohm Service.



WARNING

Electric shock caused by live parts

Never open the housing of the instrument.

Only trained personnel are permitted to open the housing of the instrument.

6.1.3 Maintenance by Metrohm Service

Maintenance of the instrument is best carried out as part of an annual service performed by specialist personnel from Metrohm. A shorter maintenance interval is recommended if you frequently work with caustic and corrosive chemicals. Metrohm Service offers every form of technical advice for maintenance and service of all Metrohm instruments.

6.2 Capillary connections

All capillary connections between the injection valve, the separation column and the detector must be as short as possible, have a low dead volume and be completely leak-tight.

The PEEK capillary downstream of the detector must be free of blockages.

Use only PEEK capillaries with an inner diameter of 0.25 mm between the high-pressure pump and the detector (high-pressure section).

6.3 Servicing the door



CAUTION

The door is made of PMMA (poly(methyl methacrylate)). It must never be cleaned with abrasive media or solvents.



CAUTION

Never hold the instrument by the door when lifting it. Only hold the instrument by the housing.

6.4 Column thermostat – Replacing the capillaries

There are two preheating grooves on both of the column thermostat's side walls, where the column inlet capillary has already been inserted and fastened in place with a holder plate.

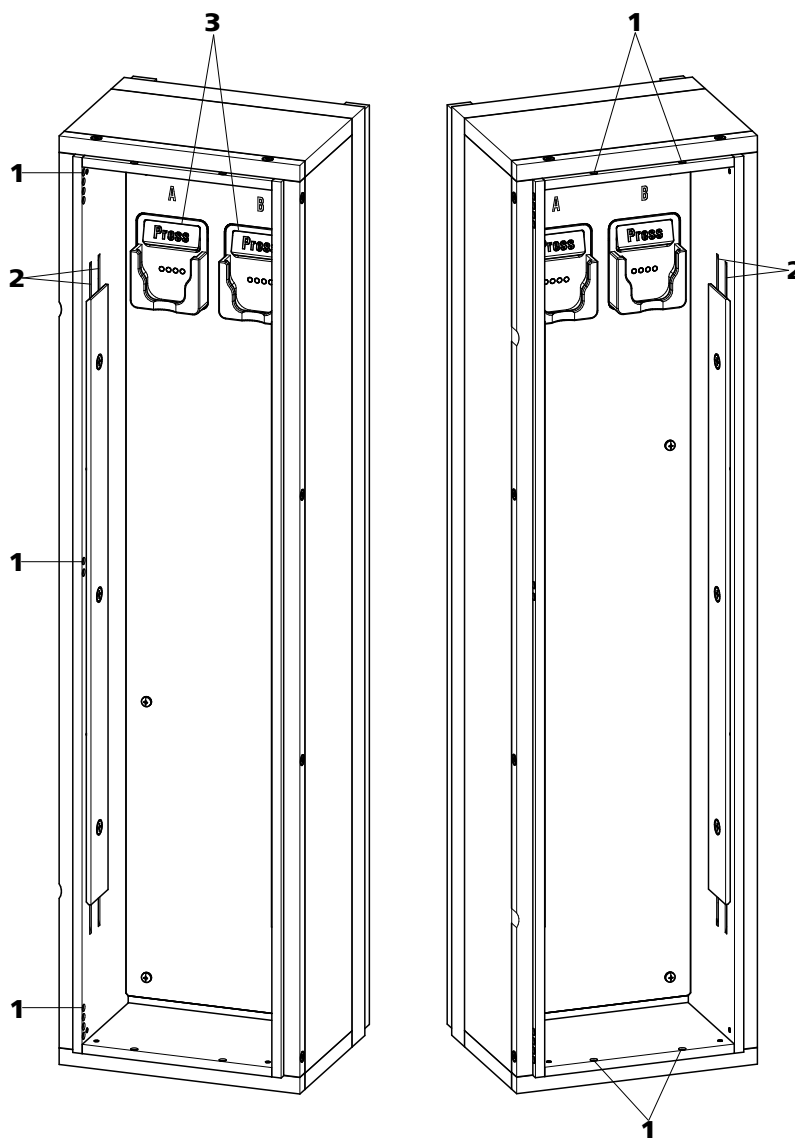


Figure 16 Column thermostat

1 Openings

For feeding capillaries into and out of the instrument.

2 Preheating grooves

For regulating the temperature of the eluent.

3 Column holder

With column recognition. For fastening the column.

Replacing the preheating capillaries

In order to make threading the column inlet capillary into the column oven's preheating grooves easier, Metrohm recommends loosening the screws for the holder plate a little, but not removing them all the way.

- 1 Guide the column inlet capillary into the column thermostat via a suitable opening (16-1).
- 2 Push the column inlet capillary into the outer preheating groove (16-2) from the bottom. Continue pushing it through under the holder plate until it comes back out the top.
- 3 Carefully bend the column inlet capillary downward and push it through the inner preheating groove until it comes out at the bottom edge of the holder plate.

6.5 Handling the eluent

Careful handling of the eluent ensures stable analysis results. Keep the following general measures in mind when handling the eluent:

- The supply bottle with the eluent must be connected as indicated in *chapter 4.7, page 25*. This is particularly important for eluents with volatile solvents (e.g. acetone).
- Avoid condensation in the eluent bottle. Drop formation can change the concentration ratio in the eluent.
- In the case of very sensitive measurements, we recommend that the eluent be stirred constantly with a magnetic stirrer (e. g. the 2.801.0010 with 6.2070.000).
- To protect the IC system from foreign particles, we recommend aspirating the eluent via an aspiration filter (*see chapter 4.7, page 25*) (6.2821.090). This aspiration filter must be replaced as soon as it turns yellow but at least every 3 months.

6.5.1 Manufacturing eluent

Chemicals used for manufacturing eluents must have a purity grade of at least "p.a.". They may be diluted only by using ultrapure water (resistance > 18.2 MΩ*cm). (These specifications apply generally for all reagents used in ion chromatography.)

Newly manufactured eluents always need to be microfiltered (0.45 µm filter).

Connecting the connecting tubing

- 1
 - Insert the clamping screws on the connector and screw them in by hand.
 - Tighten the clamping screws with the wrench.

6.7 Notes on operating the high-pressure pump



CAUTION

The pump head is filled ex works with methanol/ultrapure water. Ensure that the eluent used is miscible with this solvent.

Keep the following recommendations in mind in order to protect the high-pressure pump from damage as much as possible during operation:

- To protect the high-pressure pump from **foreign particles**, we recommend filtering the eluent through a filter with a pore size of 0.45 µm and aspirating it via an aspiration filter (6.2821.090).
- Ensure that no precipitates can form when changing the eluent. Salt crystals between the piston and seal cause abrasive particles that can find their way into the eluent. These particles lead to contaminated valves, an increase in pressure and, in extreme cases, scratched pistons and thus to leakages in the high-pressure pump. Immediately successive solutions must always be miscible. If the system must be rinsed with organic solvents, use several solvents with rising or falling lipophilicity.
- In order to protect the pump seals, ensure that the pump is never operated dry. Therefore ensure that the eluent supply is correctly connected and that there is enough eluent in the eluent bottle each time before turning on the pump.



6.8 Servicing the high-pressure pump



NOTE

You can find a video sequence for this task in the *Multimedia Guide IC Maintenance* or on the Internet at <http://ic-help.metrohm.com/>.

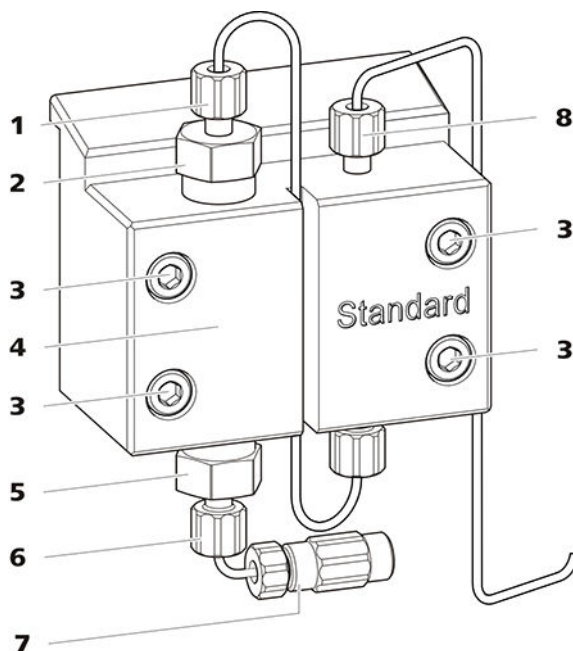


Figure 17 High-pressure pump – Parts

1	Pressure screw, short (6.2744.070) Fastened to the outlet valve holder.	2	Outlet valve holder
3	Fastening screw	4	Pump head
5	Inlet valve holder	6	Pressure screw, short (6.2744.070) Fastened to the inlet valve holder.
7	Eluent aspiration tubing connector Consists of a coupling with a pressure screw.	8	Pressure screw, short (6.2744.070) Fastened to the pump output.

Maintenance interval

The following parts of the high-pressure pump must be serviced at least once per year:

- Inlet valve (6.2824.170)
- Outlet valve (6.2824.160)
- Piston seal (6.2741.020)
- Zirconium oxide piston (6.2824.070)

Maintenance tasks can also be carried out if the following problems occur:

- Unstable baseline (pulsations, flow fluctuations)



CAUTION

Maintenance work on the high-pressure pump may not be carried out unless the **instrument is switched off**.

Recommended procedure

We recommend the following procedure for the maintenance of the pump head:

1. Service the inlet valve and the outlet valve.
2. Remove the pump head.
3. Service both pistons, one after the other.
 - a. Remove piston.
 - b. Dismantle the piston.
 - c. Replace the piston seal.
 - d. Replace the zirconium oxide piston.
 - e. Assemble the piston.
 - f. Insert the piston.
4. Reinstall the pump head.

You can find brief video sequences on the following maintenance steps on the Internet at <http://ic-help.metrohm.com/>.

Servicing the outlet valve and inlet valve

Accessories

For this step, you need the following accessories:

You can find these parts in the accessory kit: *Vario/Flex Basic* (6.5000.000).

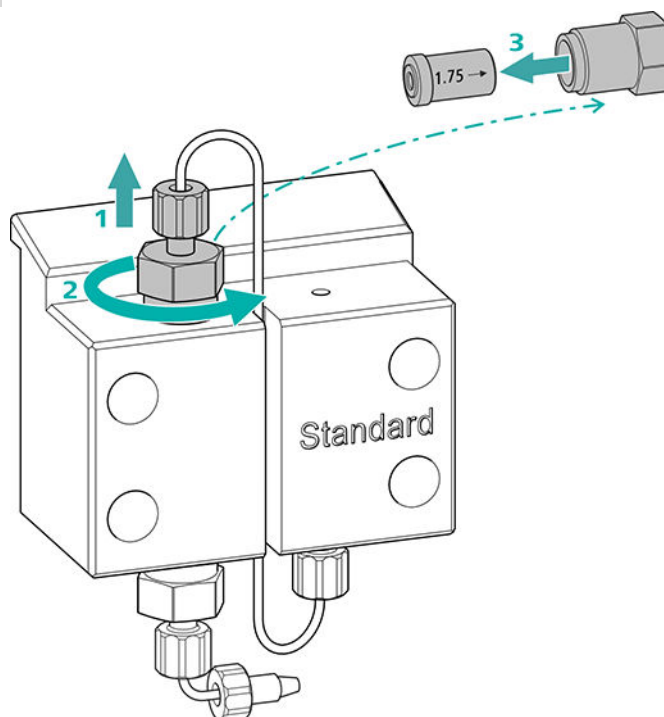
- Adjustable wrench (6.2621.000)

Cleaning the outlet valve

Spare parts

If the outlet valve cannot be cleaned, you will need a new outlet valve (6.2824.160) for this step.

1 Removing the outlet valve



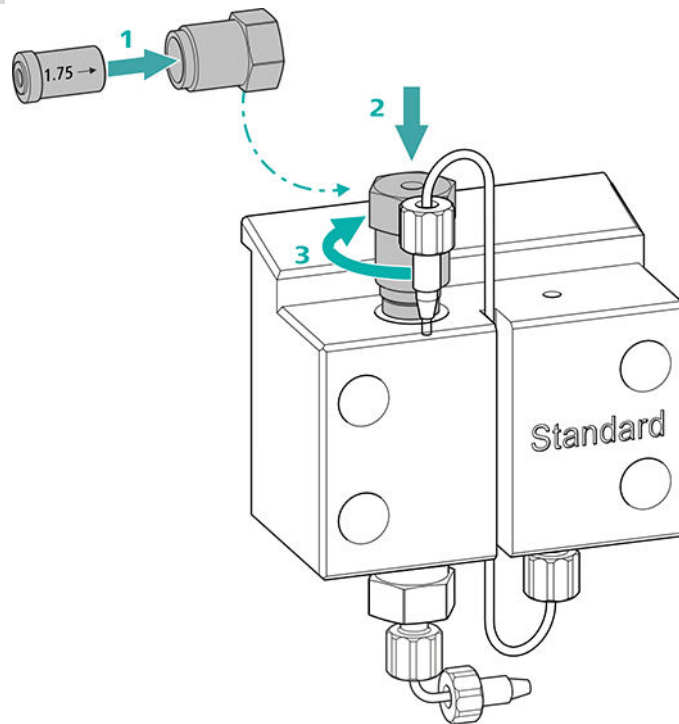
- Unscrew the connection capillary to the auxiliary piston from the outlet valve holder (17-2) (1).
- Start by loosening the outlet valve holder with the adjustable wrench and then unscrew it by hand (2) and remove it.
- Remove the outlet valve from the outlet valve holder (3).

2 Cleaning the outlet valve

- Start by rinsing the outlet valve in the direction of eluent flow using a wash bottle filled with ultrapure water, RBS™ solution or acetone. (The direction of eluent flow is marked on the valve by an arrow.)
The rinsing solution must come out at the valve exit.
If no more solution comes out, then the valve is blocked.
- Rinse the outlet valve in the direction opposite the eluent flow using a wash bottle filled with ultrapure water, RBS™ solution or acetone.
The rinsing solution may only come out at the valve exit.

The outlet valve must be replaced if it is still clogged after cleaning.

3 Reinserting the outlet valve into the pump head



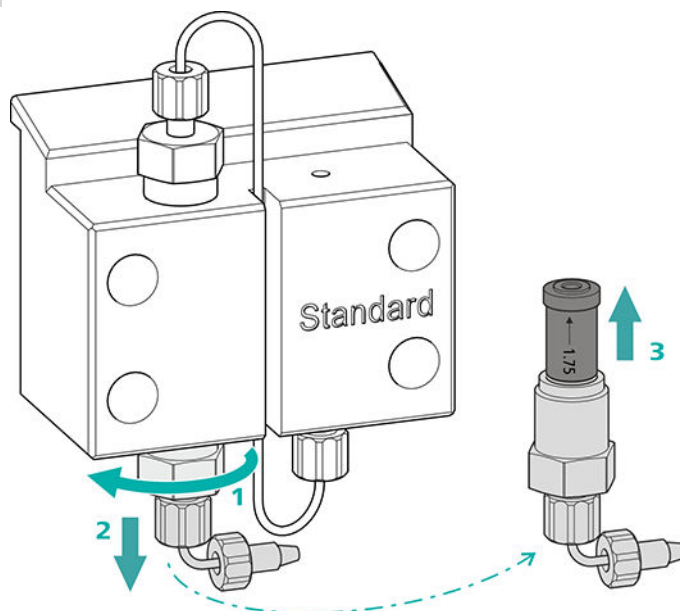
- Insert the outlet valve into the outlet valve holder (the seal must be visible) (1).
- Screw the outlet valve holder up into the pump head (2) and tighten it firmly by hand and then retighten it one additional $\frac{3}{4}$ turn using the adjustable wrench (3).
- Tighten the connection capillary to the auxiliary piston back onto the outlet valve holder.

Cleaning the inlet valve

Spare parts

If the inlet valve cannot be cleaned, you will need a new inlet valve (6.2824.170) for this step.

1 Removing the inlet valve



- Unscrew the connection capillary to the connection of the eluent aspiration tubing (17-7).
- Start by loosening the inlet valve holder with the adjustable wrench (1) and then unscrew it by hand (2) and remove it.
- Remove the inlet valve from the inlet valve holder (3).

2 Cleaning the inlet valve

- Start by rinsing the inlet valve in the direction of eluent flow using a wash bottle filled with ultrapure water, RBS™ solution or acetone. (The direction of eluent flow is marked on the valve by an arrow.)

The rinsing solution must come out at the valve exit.

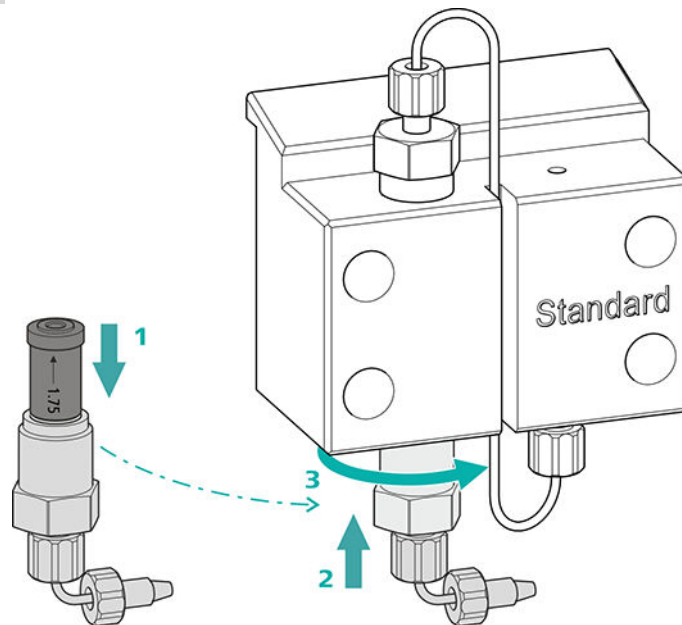
If no more solution comes out, then the valve is blocked.

- Rinse the inlet valve in the direction opposite the eluent flow using a wash bottle filled with ultrapure water, RBS™ solution or acetone.

The rinsing solution may only come out at the valve exit.

The inlet valve must be replaced if it is still clogged after cleaning.

3 Reinserting the inlet valve into the pump head



- Insert the inlet valve into the inlet valve holder (the seal must be visible) (1).
- Screw the inlet valve holder up into the pump head (2) and tighten it firmly by hand and then retighten it one additional $\frac{3}{4}$ turn using the adjustable wrench (3).
- Refasten the connection capillary to the connection of the eluent aspiration tubing (17-7).

Removing the pump head

Accessories

For this step, you need the following accessories:

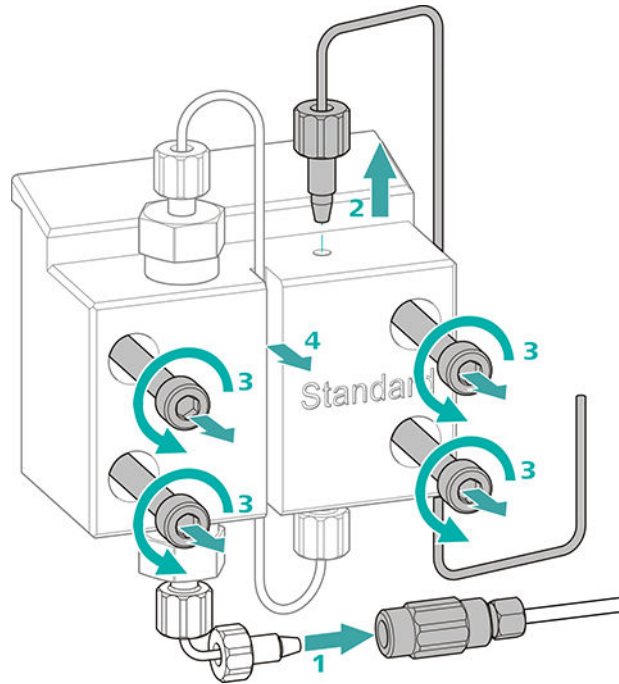
You can find these parts in the accessory kit: *Vario/Flex Basic* (6.5000.000).

- 4 mm hex key (6.2621.030)

Removing the pump head

Prerequisites:

- Is the high-pressure pump switched off?
- Has the pressure been released?
- Is the instrument switched off?



- 1** Release the coupling from the pressure screw and seal it with a stopper.
- 2** Unscrew and remove the pressure screw on the pump head's outlet (17-8).
- 3** Loosen and remove the four fastening screws (17-3) using the hex key.
- 4** Remove the pump head (17-4).

Servicing the piston

Carry out the following work on both pistons in turn.

Servicing a piston consists of the following tasks:

1. Replace the piston seal.
2. Clean or replace the zirconium oxide piston.
3. Reinstall the piston.

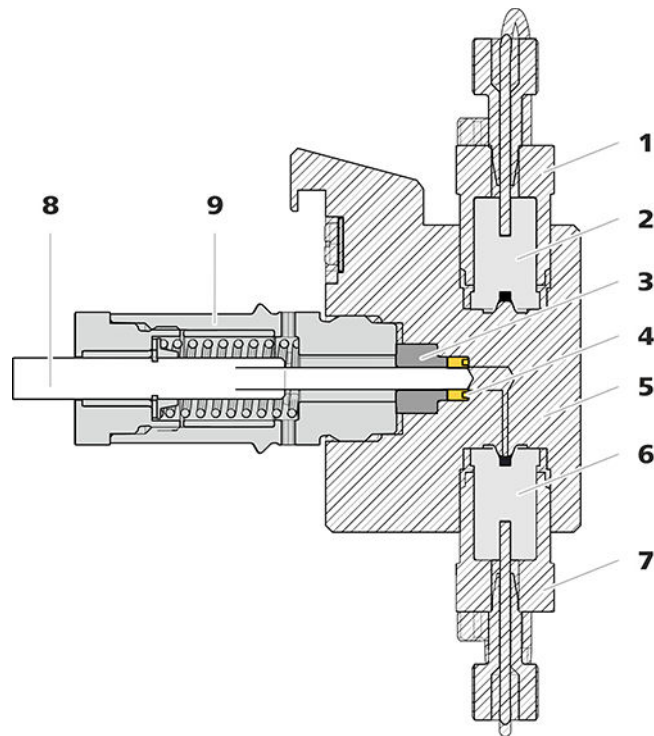


Figure 18 High-pressure pump – Cross-section

1	Outlet valve holder	2	Outlet valve (6.2824.160)
3	Backup ring	4	Piston seal (6.2741.020)
5	Pump head	6	Inlet valve (6.2824.170)
7	Inlet valve holder	8	Zirconium oxide piston (6.2824.070)
9	Piston cartridge		

Accessories

For this step, you need the following accessories:

You can find these parts in the accessory kit: *Vario/Flex Basic* (6.5000.000).

- Adjustable wrench (6.2621.000)
- Tool for piston seals (6.2617.010) consisting of a tip (19-1) for removing the old piston seal and a sleeve (19-2) for inserting the new piston seal.

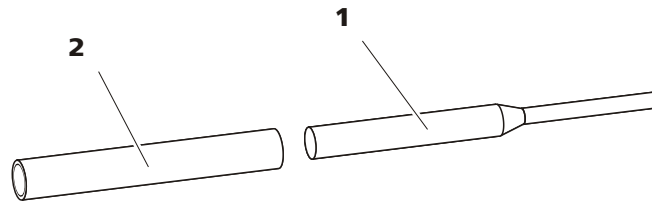


Figure 19 Tool for piston seal (6.2617.010)

1 Tip

2 Sleeve

Spare part

For this step, you need a new piston seal (6.2741.020).

Replacing the piston seal

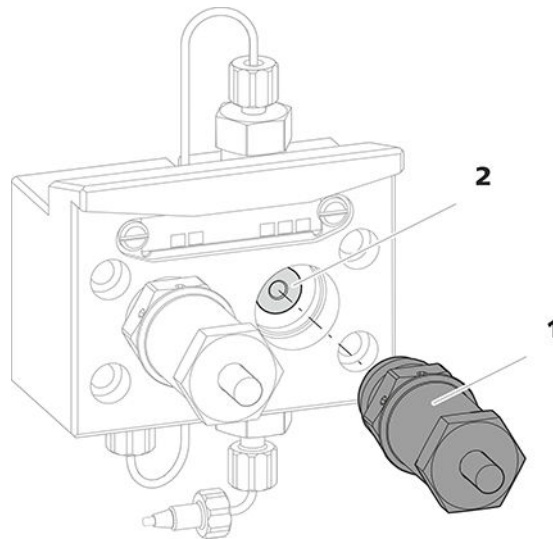


Figure 20 Removing the piston cartridge from the pump head

1 Piston cartridge

2 Backup ring

1 Removing the piston cartridge

Loosen the piston cartridge (20-1) using the adjustable wrench and then unscrew it from the pump head by hand. Set it aside.

2 Removing the backup ring

Shake the backup ring (20-2) out of the piston opening. Set it aside.

3 Removing the old piston seal



CAUTION

Screwing the (6.2617.010) special tool for the piston seal into the piston seal destroys this completely!



CAUTION

Avoid touching the sealing surface in the pump head with the tool!

Only screw the tip (19-1) of the tool for the piston seal far enough into the piston seal that the seal can be pulled out.

4 Inserting the new piston seal into the tool

Insert the new piston seal into the recess of the sleeve (21-1) of the tool for piston seal. The sealing spring must be visible from the outside.

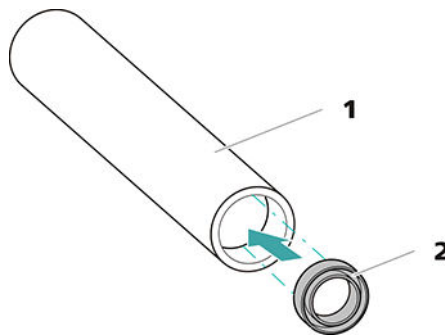


Figure 21 Inserting the piston seal into the tool

1 Tool for piston seal (6.2617.010)

Sleeve for inserting the new piston seal.

2 Piston seal (6.2741.020)

5 Inserting the new piston seal into the pump head

Guide the sleeve (19-2) of the tool for the piston seal with inserted piston seal into the pump head. Press the seal into the pump head recess using the wide end of the tip (19-1) of the tool.

Cleaning or replacing the zirconium oxide piston

Prerequisites:



- The pump head has been removed (see "Removing the pump head", page 77).
- The piston cartridge is removed (see "Replacing the piston seal", page 80).

For this task, you need the following accessories:

- Zirconium oxide piston (6.2824.070)
- Adjustable wrench (6.2621.000) from the accessory kit: *Vario/Flex Basic* (6.5000.000).

1 Breaking down the piston cartridge



CAUTION

Inside the piston cartridge there is a taut spring that can launch out of the piston cartridge if the tension is released suddenly.

When opening the piston cartridge, counteract the pressure from the spring and carefully unscrew the cartridge.

- Loosen the piston cartridge's screw with an adjustable wrench and carefully unscrew the screw by hand while counteracting the pressure from the taut spring.
- Remove the zirconium oxide piston and place it on a paper towel.
- Remove the spring retainer, the spring and the inner plastic sleeve from the piston cartridge and lay them next to the piston.
- Place the backup ring you put aside with the remaining parts.

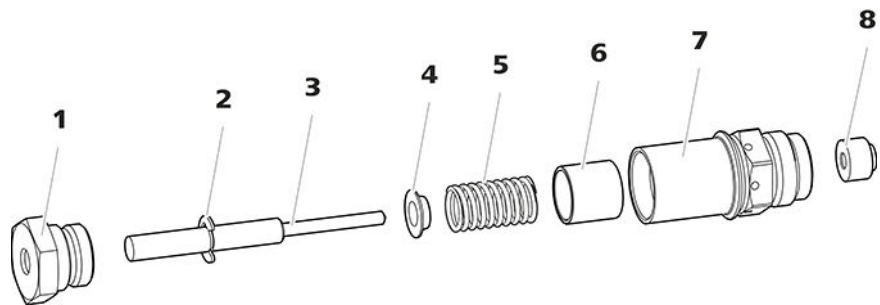


Figure 22 Parts of the piston cartridge

1	Piston cartridge screw	2	Retaining washer
3	Zirconium oxide piston (6.2824.070)	4	Spring retainer
5	Spring (6.2824.060)	6	Inner plastic sleeve Protects from metallic abrasion.
7	Piston cartridge	8	Backup ring

2 Cleaning the parts of the piston cartridge

- If the zirconium oxide piston has become contaminated due to abrasion or deposits, then clean it using a fine abrasive cleaning powder, rinse it using ultrapure water until it is free of particles and dry it.

The zirconium oxide piston must be replaced if it is heavily contaminated or scratched.

- Rinse the other parts of the piston with ultrapure water and dry with a lint-free cloth.

3 Replacing the zirconium oxide piston

- Remove the retaining washer (22-2) from the old piston. If the retaining washer sits too tightly, use a pointed object to loosen the retaining washer.
- Assemble the retaining washer at the same point on the new piston.

4 Putting the piston cartridge together

- Insert the inner plastic sleeve, the spring and the spring retainer into the piston cartridge.
- Slide the zirconium oxide piston carefully into the piston cartridge until its tip emerges from the small opening of the piston cartridge.
- Attach the screw and tighten it by hand.

Mounting the piston

1 Reinserting the backup ring

Clean the backup ring (18-3) with ultrapure water and reinsert it.

2 Reinserting the piston cartridge

Screw the assembled piston cartridge back into the pump head and tighten, first by hand, then also using an adjustable wrench by approx. 15°.

Clean the second piston cartridge in the same way.

Mounting the pump head

For this step, you need the following accessories:

You can find these parts in the accessory kit: *Vario/Flex Basic* (6.5000.000).

Accessories

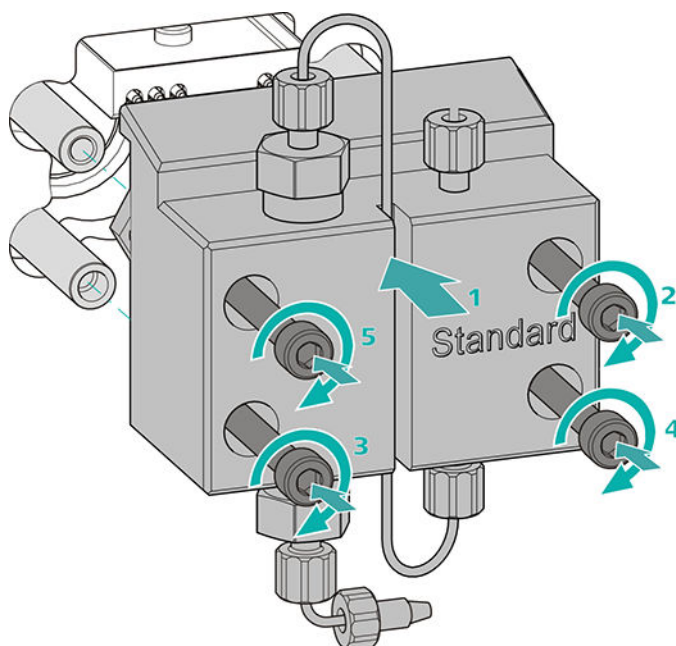
- 4 mm hex key (6.2621.030)

Mounting the pump head



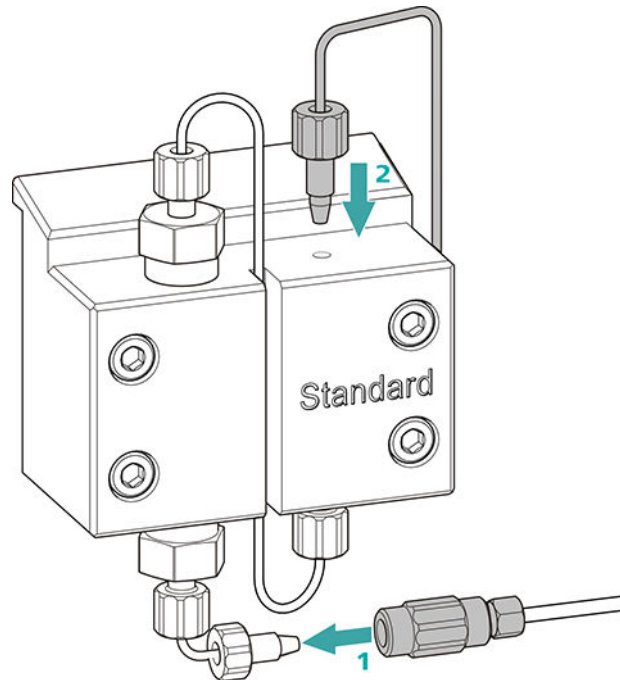
NOTE

The pump head cannot be mounted the wrong way, as it has fastening bolts with different bore hole depths, i.e., one fastening bolt is longer than all others. The bore hole with the greatest depth must therefore be aligned with the longest bolt.



- 1**
 - Push the pump head onto the four fastening bolts (1).
 - Tighten the four fastening screws using the hex key (6.2621.030) alternating crosswise.

Connecting the entry and exit for the high-pressure pump



- 1
 - Remove the stopper from the coupling. Tighten the coupling to the pressure screw located on the pump head inlet capillary (1).
 - Reconnect the pump head outlet capillary to the pump head outlet (2).

6.9 Servicing the inline filter



NOTE

You can find a video sequence for this task in the *Multimedia Guide IC Maintenance* or on the Internet at <http://ic-help.metrohm.com/>.

Maintenance interval

The filter must be replaced at least every 3 months; it may need to be replaced more frequently, depending on the application.

Accessories

For this task, you need the following accessories:

- Two adjustable wrenches (6.2621.000) from the accessory kit: Vario/Flex Basic (6.5000.000)
- Tweezers
- A new filter from the packaging (6.2821.130)



Removing the filter

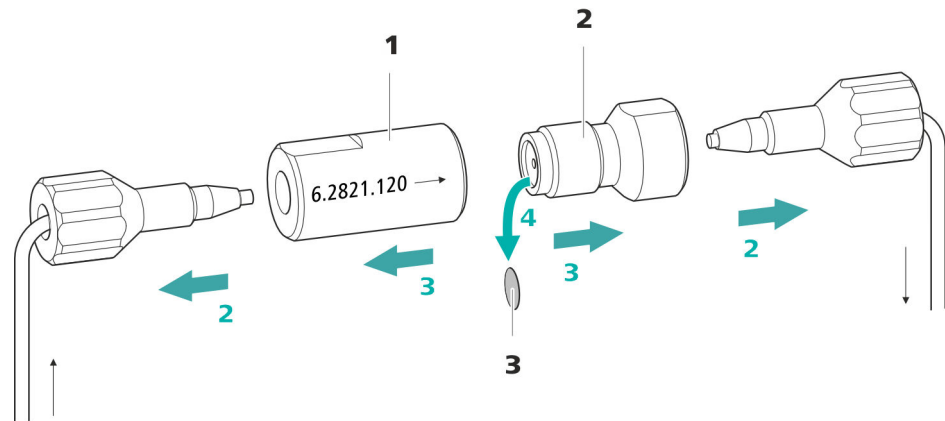


Figure 23 In-line filter – Removing the filter

1 Filter housing

Inline filter housing. Part of the accessories (6.2821.120).

2 Filter screw

Screw for the inline filter. Part of the accessories (6.2821.120).

3 Filter (6.2821.130)

Pack contains 10 pieces.

1 Shutting off the flow

Switch off the high-pressure pump in the software.

2 Removing the inline filter

Unscrew both pressure screws from the inline filter.

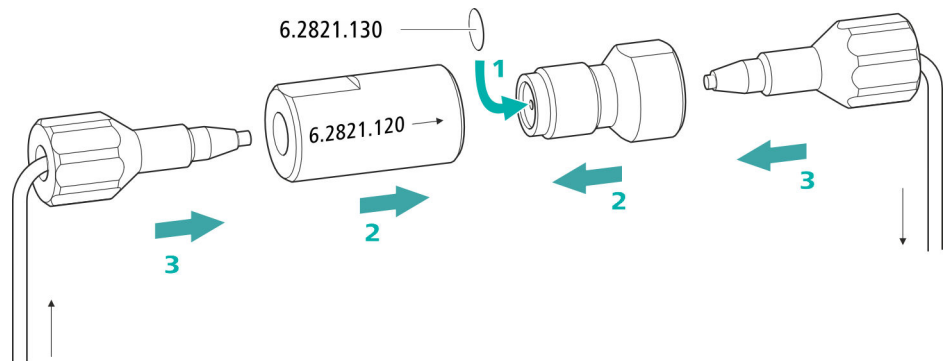
3 Unscrewing the filter screw

Use two adjustable wrenches (6.2621.000) to loosen the filter screw (23-2) from the filter housing (23-1) and unscrew it by hand.

4 Removing the filter

Remove the old filter (23-3) using tweezers.

Inserting a new filter



1 Inserting a new filter

- Use tweezers to carefully place a new filter into the filter screw (23-2) so that it is flat and press it firmly into place with the rear of the tweezers.

2 Installing the filter screw

- Screw the filter screw (23-2) back into the filter housing (23-1) and tighten by hand. Then use two adjustable wrenches (6.2621.000) to tighten it slightly.

3 Remounting the inline filter

- Screw pressure screws back onto the inline filter. Take care to ensure that the flow direction matches that inscribed on the inline filter.

4 Rinsing the inline filter

- Dismantle the guard column (if present) and the separation column and replace with a coupling (6.2744.040).
- Rinse the instrument with eluent.
- Reinsert the columns after 10 minutes.

6.10 Servicing the pulsation absorber



CAUTION

The pulsation absorber is maintenance-free and must not be opened.

6.11 Injection valve

Maintenance on the injection valve is best performed by specialist personnel from Metrohm during annual service.

6.12 Metrohm Suppressor Module (MSM)

6.12.1 Notes for operating the Metrohm Suppressor Module (MSM)



NOTE

The suppressor units must never be regenerated in the same flow direction the eluent is pumped. Therefore, always mount the inlet and outlet capillaries according to the diagram outlined in *Chapter Connecting the Metrohm Suppressor Module (MSM)*, page 37.

The Metrohm Suppressor Module (MSM) consists of three suppressor units, which, in rotation, are (1) used for suppression, (2) regenerated with regeneration solution and (3) rinsed with ultrapure water or with suppressed eluent. In order to record each new chromatogram under comparable conditions, work is normally performed with a freshly regenerated and rinsed suppressor unit.



CAUTION

The Metrohm Suppressor Module (MSM) must never be switched over if liquid is not flowing through it, since otherwise it may become jammed. If the Metrohm Suppressor Module (MSM) is in a dry state, it must be rinsed for at least five minutes before it may be switched over.

**CAUTION**

The Metrohm Suppressor Module (MSM) must be regenerated (see chapter 6.12.3.2, page 90), cleaned (see chapter 6.12.3.4, page 92) or replaced (see chapter 6.12.3.5, page 95) if the capacity of the Metrohm Suppressor Module (MSM) is reduced or if the backpressure is high.

6.12.2 Taking care of the suppressor housing

**CAUTION**

The transparent suppressor housing can become fogged.

The suppressor housing is made of PMMA (poly(methyl methacrylate)). It can become scratched and foggy if cleaned improperly. This can make viewing the rotor difficult or impossible.

- Do **not use any scouring agents** for cleaning.
- Do **not use any solvents** for cleaning.

6.12.3 Servicing the Metrohm Suppressor Module (MSM)

6.12.3.1 Parts of the Metrohm Suppressor Module (MSM)

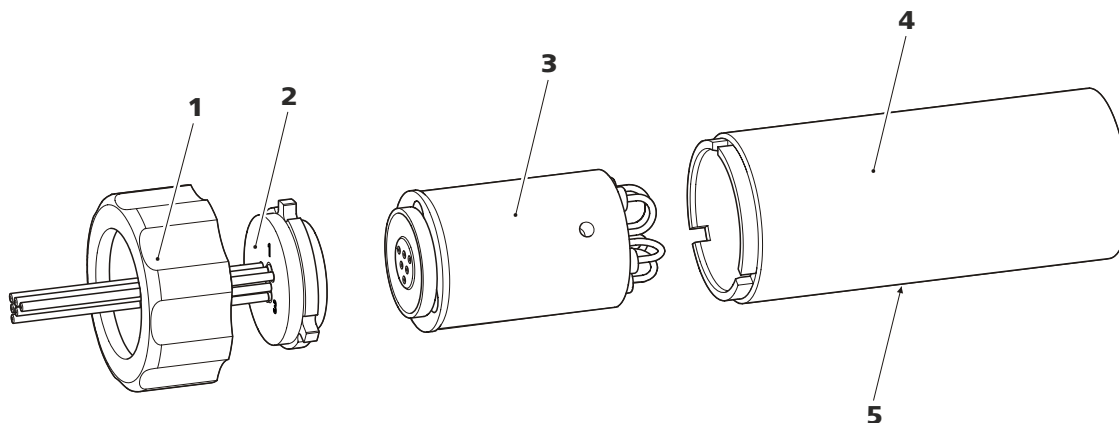


Figure 24 Parts of the Metrohm Suppressor Module (MSM)

1 Union nut

3 Rotor

5 Slot in the housing

2 Connecting piece

4 Housing

6.12.3.2 Regenerating the anion suppression rotor

If the anion suppressor units are loaded with certain heavy metals (such as iron) or organic contamination for long periods, then the standard regeneration solution may no longer be able to completely remove them. This constantly reduces the capacity of the suppressor units, which results in reduced phosphate sensitivity in mild cases and a large increase in the baseline in severe cases.

If such capacity problems occur at one or more positions, all anion suppressor units must be regenerated with one of the following solutions:

Regeneration solutions

- **Contamination with heavy metals or elevated backpressure:**
1 mol/L H₂SO₄ + 0.1 mol/L oxalic acid
- **Contamination with organic cationic complexing agents:**
0.1 mol/L H₂SO₄ / 0.1 mol/L oxalic acid / acetone 5%
- **Heavy contamination with organic substances:**
0.2 mol/L H₂SO₄ / acetone ≥ 20%
- **Contamination by certain environmental samples**
1 mol/L H₃PO₄



NOTE

If phosphoric acid has been used once as regeneration solution in an IC system, you will have to continue using phosphoric acid for regeneration. Regenerating it with sulfuric acid again can lead to problems in the baseline.



CAUTION

Pump tubing made of PVC must not be used for solutions containing organic solvents.

We recommend using the high-pressure pump for regeneration.

Regenerating the anion suppressor rotor

1 Disconnecting the Metrohm Suppressor Module (MSM) from the IC system

- Disconnect the capillaries of the MSM labeled **regenerant** and **rinsing solution** from the IC system.

2 Regenerating the Metrohm Suppressor Module (MSM)

Regenerate the three suppressor units one after the other for approx. 15 minutes using one of the solutions mentioned above.

- Connect the capillary labeled **regenerant** to the outlet of the high-pressure pump using a coupling (6.2744.040).
- Set the flow of the high-pressure pump to 0.5 mL/min in the software.
- Connect the regeneration solution to the high-pressure pump.
- Switch on the high-pressure pump.
If the pressure decreases during regeneration, slowly increase the flow of the pump to a maximum of 2 mL/min. When doing so, make sure that the pressure does not exceed 2 MPa!
- After approx. 15 minutes, switch off the high-pressure pump.
- In the software, use the **Step** command to switch to the next suppressor unit and regenerate it as described above.
- As soon as all three suppressor units have been regenerated, disconnect the capillary labeled **regenerant** from the coupling.

3 Rinsing the Metrohm Suppressor Module (MSM)

After regeneration, each of the three suppressor units must be rinsed with degassed ultrapure water for about 15 minutes.

- Connect the capillary labeled **rinsing solution** to the outlet of the high-pressure pump using a coupling (6.2744.040).
- Set the flow of the high-pressure pump to 0.5 mL/min in the software.
- Connect the ultrapure water to the high-pressure pump.
- Switch on the high-pressure pump.
If the pressure decreases during rinsing, slowly increase the flow of the pump to a maximum of 2 mL/min. When doing so, make sure that the pressure does not exceed 2 MPa!
- After approx. 15 minutes, switch off the high-pressure pump.
- In the software, use the **Step** command to switch to the next suppressor unit and rinse it as described above.
- As soon as all three suppressor units have been rinsed, disconnect the capillary labeled **rinsing solution** from the coupling.

4 Connecting the Metrohm Suppressor Module (MSM) to the IC system

- Reconnect the capillaries of the MSM labeled **regenerant** and **rinsing solution** to the IC system.
- Reconnect the entry and the exit of the high-pressure pump to the IC system.

- Irremediable blockage of the MSM (solutions can no longer be pumped through the MSM).
- Irremediable jamming of the MSM (MSM can no longer be switched over).

Cleaning the Metrohm Suppressor Module (MSM)

1 Disconnecting the Metrohm Suppressor Module (MSM) from the IC system

- Switch off the instrument.
- Disconnect all capillaries of the MSM from the IC system.

2 Dismantling the Metrohm Suppressor Module (MSM)

- Unscrew the union nut (24-1) from the housing (24-4).
- Pull the connecting piece (24-2) out of the housing together with the rotor (24-3).

If the rotor gets stuck in the housing, you can push it out as follows:

Put a pointed object into the slot in the housing and use it to push out the rotor.

- Loosen the connecting piece from the rotor with a turning movement.

3 Rinsing the capillaries

- Connect each of the six PTFE capillaries connected to the connecting piece (24-2) in sequential order to the high-pressure pump and pump ultrapure water through them.
- Check whether water comes out at the connecting piece.

If one of the capillaries remains blocked, the connecting piece (see *"Replacing parts of the Metrohm Suppressor Module (MSM)"*, page 95) must be replaced (order number 6.2835.010).

4 Cleaning the rotor

- Clean the sealing surface of the rotor (24-3) with ethanol using a lint-free cloth.

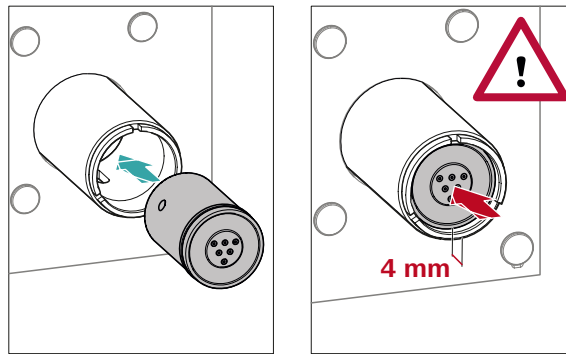
5 Inserting the rotor



CAUTION

The rotor may be destroyed during start-up if it is not inserted correctly.

For an overview of the rotors, see figure , page 34



- Insert the rotor (24-3) into the housing (24-4) in such a way that the tubing connections on the rear of the rotor fit into the corresponding recesses inside the housing and one of the three holes of the rotor is visible from below in the slot of the housing (24-5).



NOTE

The rotor's sealing surface is located approx. 4 mm deep inside the suppressor drive if the rotor is inserted correctly.

If this is not the case, then the rotor must be moved into the correct position using careful turning. If the rotor cannot be turned or removed, it can be moved into the correct position from below by means of a pointed object (e.g. a screwdriver).

6 Cleaning the connecting piece

- Clean the sealing surface of the connecting piece (24-2) with ethanol using a lint-free cloth.

7 Inserting the connecting piece

See also Chapter 4.13.1, page 34

- Insert the connecting piece (24-2) into the housing in such a way that connector 1 is on top and the three pins of the connecting piece fit into the corresponding recesses on the housing.
- Reattach the union nut (24-1) and tighten by hand (do not use a tool).

8 Connecting and conditioning the Metrohm Suppressor Module (MSM)

- Reconnect the MSM to the IC system.

- Before switching the MSM over for the first time, rinse each of the three suppressor units with solution for five minutes.

6.12.3.5 Replacing parts of the Metrohm Suppressor Module (MSM)

Parts of the Metrohm Suppressor Module (MSM) may need to be replaced in the following cases:

- Irremediable loss of suppressor capacity (reduced phosphate sensitivity and/or significant rise in the baseline).
- Irremediable blockage of the MSM (solutions can no longer be pumped through the MSM).

Both the rotor and the connecting piece can be replaced.

Replacing parts of the Metrohm Suppressor Module (MSM)

1 Disconnecting the Metrohm Suppressor Module (MSM) from the IC system

- Switch off the instrument.
- Disconnect all capillaries of the MSM from the IC system.

2 Dismantling the Metrohm Suppressor Module (MSM)

- Unscrew the union nut (24-1) from the housing (24-4).
- Pull the connecting piece (24-2) out of the housing together with the rotor (24-3).

If the rotor gets stuck in the housing, you can push it out as follows:

Put a pointed object into the slot in the housing and use it to push out the rotor.

- Loosen the connecting piece from the rotor with a turning movement.

3 Cleaning the new rotor

- Clean the sealing surface of the new rotor (24-3) with ethanol using a lint-free cloth.

4 Inserting the new rotor

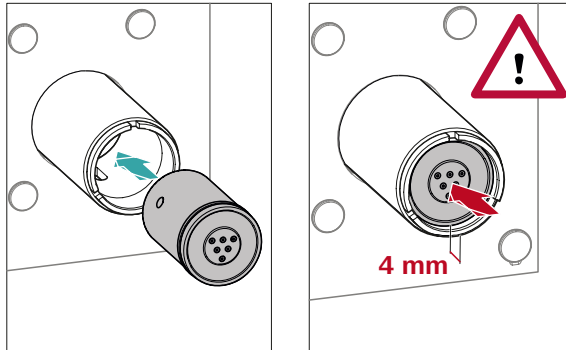


CAUTION

The rotor may be destroyed during start-up if it is not inserted correctly.

**NOTE**

The adapter (6.2842.020) (see "Inserting small rotors", page 36) is required in order to insert a small rotor into the suppressor drive.



- Insert the new rotor (24-3) into the housing (24-4) in such a way that the tubing connections on the rear of the rotor fit into the corresponding recesses inside the housing and one of the three holes of the rotor is visible from below in the slot of the housing (24-5).

**NOTE**

The rotor's sealing surface is located approx. 4 mm deep inside the suppressor drive if the rotor is inserted correctly.

If this is not the case, then the rotor must be moved into the correct position using careful turning. If the rotor cannot be turned or removed, it can be moved into the correct position from below by means of a pointed object (e.g. a screwdriver).

5 Cleaning the new connecting piece

- Clean the sealing surface of the new connecting piece (24-2) with ethanol using a lint-free cloth.

6 Inserting the new connecting piece

See also Chapter 4.13.1, Page 34

- Insert the connecting piece (24-2) into the housing in such a way that connector 1 is on top and the three pins of the connecting piece fit into the corresponding recesses on the housing.
- Reattach the union nut (24-1) and tighten by hand (do not use a tool).

7 Connecting and conditioning the Metrohm Suppressor Module (MSM)

- Reconnect all capillaries of the MSM to the IC system.
- Before switching the MSM over for the first time, rinse the three suppressor units with solution for five minutes.

6.13 Maintenance on the Metrohm CO₂ Suppressor (MCS)

6.13.1 Replacing the CO₂ Absorber

Capacity loss

The absorption capacity of the CO₂ Absorber is limited and decreases over time. This is indicated by an increasing baseline (since more CO₂ gets to the detector). As soon as the absorption capacity of the CO₂ Absorber is depleted, it must be replaced. CO₂ Absorbers are available under order number 6.2837.100.

Maintenance interval The CO₂ Absorber (6.2837.100) loses capacity over time. Replace the CO₂ Absorber every year.

Removing a depleted CO₂ Absorber

- 1 Remove the depleted CO₂ Absorber from the detector chamber.
- 2 Remove the **Air in** capillary of the Metrohm CO₂ Suppressor (MCS).
- 3 Dispose of the depleted CO₂ Absorber properly.

Installing a new CO₂ Absorber

- 1 Prepare the new CO₂ Absorber (see "Preparing the CO₂ Absorber", page 44).
- 2 Install the new CO₂ Absorber (see "Installing the CO₂ Absorber", page 45).

If the sample is injected automatically, the rinsing time must be at least three times the **transfer time**.

Checking the rinsing time

You can determine if the applied rinsing time is sufficient by measuring the sample carry-over directly. Proceed as follows to do this:

1 Preparing two samples

- **Sample A:** A typical sample for the application.
- **Sample B:** Ultrapure water.

2 Determining "Sample A"

Allow "Sample A" to run through the sample path for the duration of the rinsing time; inject and then measure it.

3 Determining "Sample B"

Allow "Sample B" to run through the sample path for the duration of the rinsing time; inject and then measure it.

4 Calculating the sample carry-over

The sample carry-over corresponds to the ratio of the peak areas of the measurement from Sample B to the measurement from Sample A. The smaller this ratio, the smaller the amount of sample carry-over. This ratio can be changed by varying the rinsing time. This can be used to determine the required rinsing time for the application.

6.16 Separation column

6.16.1 Separating efficiency

The analysis quality that can be attained depends in a large part on the separating efficiency of the separation column being used. The separating efficiency of the selected separation column must be sufficient for the current analysis problems. If difficulties arise, start by checking the quality of the separation column in each case by recording a standard chromatogram.

You can find detailed information on the separation columns available from Metrohm in the leaflet provided along with your separation column, in the **Metrohm IC Column Program** (available from your Metrohm representative) or on the Internet at <http://www.metrohm.com> in the Ion Chromatography product area. You can find information on special IC applications in the corresponding "**Application Bulletins**" or "**Application Notes**", which are available on the Internet at <http://>

7 Troubleshooting

Problem	Cause	Remedy
Marked drop in pressure.	<i>Leak in the system.</i>	Check the capillary connections and seal leaks, if necessary (<i>see chapter 4.2, page 17</i>).
The baseline has a large amount of noise.	<i>The eluent is not sufficiently degassed.</i>	Ensure that the connectors for the eluent degasser are firmly connected (<i>see chapter 6.6, page 70</i>).
	<i>The eluent path has a leak.</i>	Check the eluent path and fix the leak. If necessary, tighten the pressure screws using a wrench (6.2739.000).
	<i>High-pressure pump – Contaminated pump valves.</i>	Clean the pump valves (<i>see chapter 6.8, page 72</i>).
	<i>The eluent path is blocked.</i>	Check the eluent path and eliminate the blockage.
	<i>Contaminations in the eluent</i>	Check the quality of the chemicals and the water.
	<i>High-pressure pump – Defective piston seals.</i>	Replace the piston seals (<i>see chapter 6.8, page 72</i>).
	<i>MCS – The CO2 Absorber is depleted.</i>	Replace the CO2 Absorber (<i>see chapter 6.13.1, page 97</i>).
	<i>The pulsation absorber is not connected or is defective.</i>	Connect (<i>see chapter 4.11, page 31</i>) or replace the pulsation absorber.
<i>MCS – The vacuum pump is defective.</i>	Contact the regional Metrohm service representative.	
The baseline is drifting.	<i>Thermal equilibrium is not yet attained.</i>	Condition the instrument with the column thermostat enabled until the baseline is stable .
	<i>Leak in the system.</i>	Check all capillary connections and seal leaks, if necessary (<i>see chapter 4.2, page 17</i>).

Problem	Cause	Remedy
	<i>The organic solvent in the eluent is evaporating.</i>	<ul style="list-style-type: none"> Check the eluent bottle cap (<i>see chapter 4.7, page 25</i>). Constantly stir the eluent.
The pressure in the system markedly increases.	<i>The inline filter (6.2821.120) is blocked.</i>	Replace the filter (6.2821.130) .
	<i>The MSM is blocked.</i>	<ul style="list-style-type: none"> Regenerate the MSM (<i>see chapter 6.12.3.2, page 90</i>). <p>Note: 6.2821.180 pump tubing connection with filter must be used.</p>
	<i>Guard column – Blocked.</i>	Replace the guard column (<i>see chapter 4.23, page 56</i>).
	<i>Separation column – Blocked.</i>	<ul style="list-style-type: none"> Regenerate the separation column (<i>see chapter 6.16.4, page 100</i>). Replace the separation column (<i>see "Connecting the separation column", page 60</i>). <p>Note: Samples should always be microfiltered .</p>
	<i>Injection valve – blocked.</i>	Have the valve cleaned (by a Metrohm service engineer).
The retention times in the chromatogram have changed unexpectedly.	<i>Eluent - Incorrect concentration</i>	Create eluent with correct concentration.
	<i>Separation column – Diminished separating efficiency.</i>	<ul style="list-style-type: none"> Regenerate the separation column (<i>see chapter 6.16.4, page 100</i>). Replace the separation column (<i>see "Connecting the separation column", page 60</i>).
	<i>The eluent contains gas bubbles.</i>	<ul style="list-style-type: none"> Ensure that the connectors for the eluent degasser are firmly connected . Purge the high-pressure pump (<i>see figure , page 55</i>).
	<i>High-pressure pump – Defective.</i>	Request Metrohm Service.
Peak areas are lower than expected.	<i>Sample – There is a leak in the sample path.</i>	Find and fix the leak in the sample path.

Problem	Cause	Remedy
	<i>Sample – The sample path is blocked.</i>	Find and eliminate the blockage in the sample path.
	<i>Sample – The sample loop is not (completely) filled.</i>	Adjust the transfer time for the sample (see "Determining the transfer time", page 98).
	<i>Sample – There are gas bubbles in the sample.</i>	Use the sample degasser .
	<i>MCS – The CO₂ suppressor is not connected.</i>	Connect the CO ₂ suppressor.
Data of the separation column cannot be read.	<i>Column chip dirty.</i>	Clean the contact surfaces of the column chip with ethanol.
	<i>Column chip is defective.</i>	1. Save column configuration in MagIC Net. 2. Notify Metrohm Service.
Individual peaks are greater than expected.	<i>Sample – Sample carry-over from previous measurements.</i>	Check the rinsing time (see "Checking the rinsing time", page 99).
MSM – Insufficient flow of regeneration solution or rinsing solution.	<i>There is a leak in the system.</i>	Check all connections.
	<i>MSM – Backpressure too high.</i>	Clean the MSM (see chapter 6.12.3.4, page 92) or replace parts (see chapter 6.12.3.5, page 95).
The background conductivity is too high.	<i>The MSM is not connected.</i>	Connect the MSM (see chapter 4.13, page 34).
	<i>The incorrect eluent is being used.</i>	Change the eluent (see chapter 6.5.2, page 70).
	<i>MSM – No or insufficient flow of regeneration solution or rinsing solution.</i>	Check the flow of the regeneration solution and of the rinsing solution .
	<i>MCS – The CO₂ suppressor is not connected.</i>	Connect the CO ₂ suppressor.
The retention times are poorly reproducible.	<i>The eluent path has a leak.</i>	Check all of the connections along the eluent path and fix the leak.
	<i>The eluent path is blocked.</i>	Check the eluent path and eliminate the blockage.

Problem	Cause	Remedy
	<i>Injection valve – Defective.</i>	Request Metrohm Service.
	<i>MCS – The vacuum is too low.</i>	<ul style="list-style-type: none"> ▪ Check the connectors. If they are OK: ▪ Contact the regional Metrohm service representative.
Vacuum is not being built	<i>Eluent degasser – Vacuum connection on the rear of the instrument is not (tightly) sealed.</i>	<ul style="list-style-type: none"> ▪ Seal the Vacuum connector tightly with a threaded stopper (6.1446.040).



8 Technical specifications

8.1 Reference conditions

The technical specifications listed in this chapter refer to the following reference conditions:

<i>Ambient temperature</i>	+25 °C (±3 °C)
<i>Device status</i>	> 40 minutes in operation

8.2 Ambient conditions

Operation

<i>Nominal function range</i>	+5 to +45 °C at max. 80% relative humidity, non-condensing
-------------------------------	---

<i>Storage</i>	+5 to +45 °C at max. 80% relative humidity, non-condensing
----------------	---

<i>Altitude / Pressure range</i>	max. 3,000 m above sea level / min. 700 mbar
----------------------------------	--

<i>Overvoltage category</i>	II
-----------------------------	----

<i>Pollution degree</i>	2
-------------------------	---

8.3 Housing

Dimensions

Width 365 mm

Height 642 mm

Depth 380 mm

Controls

Indicators LED for standby indicator

On/off switch On the rear of the instrument

Housing

Base tray, housing and bottle holder material Polyurethane hard foam (PUR) with flame retardation for fire class UL 94 V-0, CFC-free, coated

IP degree of protection IP 20

8.4 Weight

2.940.1450 37.29 kg (without accessories)

8.5 Leak sensor

Type Electronic, no calibration necessary

8.6 Column thermostat

Type Thermostat using Peltier technology for two intelligent separation columns

Adjustable temperature range 0 to +80 °C, in 0.1 °C increments

Heating Up to 50 °C above the ambient temperature

Cooling Down to 20 °C below the ambient temperature

Temperature reproducibility ± 0.2 °C

Stability < 0.05 °C

Heating time < 30 minutes from 20 to 50 °C

Cooling time < 40 minutes from 50 to 20 °C

8.7 Eluent degasser

Material Fluoropolymer

Resistance to solvents No restriction (except PFC)

Time to establish vacuum < 60 s



8.8 High-pressure pump

<i>Type</i>	<ul style="list-style-type: none"> ▪ Serial dual-piston pump ▪ Intelligent pump head recognition ▪ Chemically inert ▪ Metal-free pump heads ▪ Materials in contact with the eluent: PEEK, ZrO₂, PTFE/PE ▪ Self-optimizing flow and pressure
<i>Flow rate</i>	
<i>Adjustable flow range</i>	0.001–20 mL/min 0.01–5 mL/min with standard PEEK pump head
<i>Flow increment</i>	1 µL/min
<i>Reproducibility of the eluent flow</i>	< 0.1% deviation
<i>Pressure range</i>	
<i>Pump</i>	0–50.0 MPa (0–500 bar)
<i>Pump head</i>	0–35.0 MPa (0–350 bar) (applies for the standard PEEK pump head)
<i>Residual pulsation</i>	< 1%
<i>Safety shutdown</i>	
<i>Function</i>	Automatic shutdown upon reaching the pressure limits
<i>Maximum pressure limit</i>	<ul style="list-style-type: none"> ▪ Adjustable from 0.1–50 MPa (1–500 bar) ▪ The pump is automatically shut down at the first piston stroke above the maximum limit value
<i>Minimum pressure limit</i>	<ul style="list-style-type: none"> ▪ Adjustable from 0–49 MPa (0–490 bar) ▪ The shutdown mechanism is inactive at 0 MPa ▪ The shutdown mechanism becomes active two minutes after system start ▪ The pump is automatically shut down after three piston strokes below the minimum pressure limit
<i>Gradient capability</i>	Isocratic or gradient (extendable to quaternary)
<i>Profile</i>	Step, linear, convex and concave
<i>Resolution</i>	< 1 nL/min

8.9 Injection valve

<i>Actuator switching time</i>	typ. 100 ms
<i>Maximum operating pressure</i>	35 MPa (350 bar)
<i>Material</i>	PEEK

8.10 Metrohm Suppressor Module (MSM)

<i>Resistance to solvents</i>	No restriction
<i>Switching time</i>	typ. 100 ms

8.11 Metrohm CO₂ Suppressor (MCS)

<i>Material</i>	Fluoropolymer
<i>Resistance to solvents</i>	no restriction (except PFC)
<i>Vacuum</i>	
<i>Working range</i>	microprocessor-controlled/stabilized
<i>Time to establish after starting</i>	< 30 s
<i>Capillary volume</i>	400 µL
<i>Recommended flow range</i>	0.1–1.0 mL/min

8.16 Interfaces

USB

Input 1 USB upstream, type B (labeled **PC** for connecting to a computer)

Output 2 USB downstream, type A (labeled **USB 1** and **USB 2**)

MSB 2 MSB 8-pin Mini DIN (female) (labeled **MSB 1** and **MSB 2** for Dosino, stirrer, remote lines, etc.)

Detector 2 15-pin high-density D-sub (female) (labeled **Detector 1** and **Detector 2**)

Column recognition 3 (including 2 in the column thermostat)

Leak sensor 1 jack plug (labeled **Leak Sensor**)

Further connections

- 1 15-pin D-sub (female) (labeled **Extension Module**)

-
- M**
- Maintenance
- High-pressure pump 72
 - Injection valve 88
 - Suppressor 88
- MCS
- Absorber connector 44
 - Capillary connection 43
 - Installation 42
 - Technical specifications 109
 - Use 42
- MSB 111
- O**
- Operation 106
- Suppressor 88
- Organic contamination
- Suppressor 90
- Overvoltage category 106
- P**
- Piston of the high-pressure pump 73
- Piston seal 73
- Power connection 53, 54
- Power consumption 110
- Power supply unit 110
- Precipitate 71
- Pressure increase 71
- Pressure limit 108
- Pressure range 108
- Protection
- Inline filter 30
- Pulsation 73
- Pulsation absorber
- Installation 31
- R**
- Reference conditions 106
- Regeneration 65
- Anion suppressor 90
- Cation suppressor 92
- Rinse
- Guard column 56, 58
 - Sample path 98
 - Separation column 61
- Rinsing
- Separation column 58
- Rinsing time 99
- S**
- Safety instructions 7
- Safety shutdown 108
- Sample
- Carry-over 98
 - Sample loop 32
 - Transfer time 98
- Sample degasser
- Installation 47
 - Technical specifications 110
- Sample loop 32
- Sample path
- Rinse 98
- Sea level 106
- Separation column
- Installation 58
 - Protection 2, 31, 100
 - Regeneration 100
 - Rinse 61
 - Rinsing 58
 - Separating efficiency 99
 - Storage 100
- Service 7, 65
- Shutting down 66
- Storage 106
- Supply voltage 7
- Suppression rotor
- see Suppressor 90, 92
- Suppressor
- Clean 92
 - Install rotor 34
 - Installation 34
- Maintenance 88
 - Operation 88
 - Replacing parts 95
 - Switching 88
 - Technical specifications 109
- Suppressor drive
- see "Suppressor" 34
- T**
- Technical specifications
- Column thermostat 107
 - Detector 111
 - Eluent degasser 107
 - High-pressure pump 108
 - Injection valve 109
 - Interfaces 111
 - Leak sensor 107
 - MCS 109
 - Reference conditions 106
 - Sample degasser 110
 - Suppressor 109
- Temperature 106
- Thermostat
- Also see "Column thermostat" 24
- Transfer time 98
- Transport
- Grip 20
- Transport locking screws 21
- Tubings
- Installation 17
- U**
- USB 111
- V**
- Vacuum pump
- Protection 22
- Valve
- See also "Injection valve" 32
- Voltage 110