

# 916 Ti-Touch



## Manual – Short Instructions

8.916.8004EN / v6 / 2024-10-30





Metrohm AG  
CH-9100 Herisau  
Switzerland  
+41 71 353 85 85  
info@metrohm.com  
www.metrohm.com

# **916 Ti-Touch**

## **Manual – Short Instructions**

Technical Communication  
Metrohm AG  
CH-9100 Herisau

This documentation is protected by copyright. All rights reserved.

This documentation is an original document.

This documentation has been prepared with great care. However, errors can never be entirely ruled out. Please send comments regarding possible errors to the address above.

### **Disclaimer**

Deficiencies arising from circumstances that are not the responsibility of Metrohm, such as improper storage or improper use, etc., are expressly excluded from the warranty. Unauthorized modifications to the product (e.g. conversions or attachments) exclude any liability on the part of the manufacturer for resulting damage and its consequences. Instructions and notes in the Metrohm product documentation must be strictly followed. Otherwise, Metrohm's liability is excluded.

Melody for the BEEP command: excerpt from "En Altfrentsche", with kind permission of the Laseyer Quartett, Appenzell.

# Table of contents

<b>1</b>	<b>About these short instructions</b>	<b>1</b>
<b>2</b>	<b>Introduction</b>	<b>2</b>
<b>2.1</b>	<b>Instrument description</b>	<b>2</b>
2.1.1	Titration and measuring modes	2
2.1.2	Connectors	4
2.1.3	Intended use	4
<b>2.2</b>	<b>About the documentation</b>	<b>5</b>
2.2.1	Symbols and conventions	5
<b>3</b>	<b>Safety</b>	<b>7</b>
<b>3.1</b>	<b>Intended use</b>	<b>7</b>
<b>3.2</b>	<b>Responsibility of the operator</b>	<b>7</b>
<b>3.3</b>	<b>Requirements for operating personnel</b>	<b>8</b>
<b>3.4</b>	<b>Safety instructions</b>	<b>8</b>
3.4.1	General notes on safety	8
3.4.2	Electrical safety	8
3.4.3	Tubing and capillary connections	9
3.4.4	Flammable solvents and chemicals	10
3.4.5	Recycling and disposal	10
<b>4</b>	<b>Overview of the instrument</b>	<b>11</b>
<b>4.1</b>	<b>Front of the instrument</b>	<b>11</b>
<b>4.2</b>	<b>Rear of the instrument</b>	<b>12</b>
<b>5</b>	<b>Installation</b>	<b>13</b>
<b>5.1</b>	<b>Setting up the instrument</b>	<b>13</b>
5.1.1	Packaging	13
5.1.2	Checks	13
5.1.3	Location	13
<b>5.2</b>	<b>Connecting the power supply unit</b>	<b>13</b>
<b>5.3</b>	<b>Mounting the electrode holder</b>	<b>15</b>
<b>5.4</b>	<b>Connecting the propeller stirrer (depending on the product version)</b>	<b>16</b>
<b>5.5</b>	<b>Connecting MSB devices</b>	<b>17</b>
5.5.1	Connecting a dosing device	18
5.5.2	Connecting an additional stirrer or titration stand	19
5.5.3	Connecting a Remote Box	19



<b>5.6</b>	<b>Connecting USB devices</b>	<b>20</b>
5.6.1	General	20
5.6.2	Connecting a USB hub	20
5.6.3	Connecting a printer	20
5.6.4	Connecting a balance	21
5.6.5	Connecting a PC keyboard	22
5.6.6	Connecting a barcode reader	22
5.6.7	Connecting a Sample Processor	23
<b>5.7</b>	<b>Connecting sensors</b>	<b>24</b>
5.7.1	General	24
5.7.2	Connecting a pH, metal or ion-selective electrode	24
5.7.3	Connecting a reference electrode	25
5.7.4	Connecting a polarizable electrode	26
5.7.5	Connecting the temperature sensor or electrode with integrated temperature sensor	27
5.7.6	Connecting the iConnect	28
5.7.7	Differential potentiometry	31
<b>5.8</b>	<b>Connecting the Ti-Touch to a network</b>	<b>31</b>
<b>6</b>	<b>Operation</b>	<b>33</b>
6.1	Switching the instrument on and off	33
6.2	Fundamentals of operation	35
6.2.1	Touch-sensitive screen	35
6.2.2	Display elements and controls	36
6.2.3	Status display	37
6.2.4	Entering text and numbers	38
<b>7</b>	<b>Maintenance</b>	<b>40</b>
	<b>Index</b>	<b>41</b>

# 1 About these short instructions

The present short instructions contain important chapters from the more detailed manual. In addition to an introduction, safety instructions and an overview of the instruments, you will also find information about the installation and operation of the 916 Ti-Touch in addition to documents regarding conformity and warranty. You will find the more detailed manual as a PDF file on the external storage medium included in the scope of delivery.



- **MET**  
Monotonic equivalence point titration. The reagent is added in constant volume steps.  
Measuring modes:
  - **pH** (pH measurement)
  - **U** (potentiometric voltage measurement)
  - **Ipol** (voltametric measurement with selectable polarization current)
  - **Upol** (amperometric measurement with selectable polarization voltage)
- **SET**  
Endpoint titration at one or two specified endpoints.  
Measuring modes:
  - **pH** (pH measurement)
  - **U** (potentiometric voltage measurement)
  - **Ipol** (voltametric measurement with selectable polarization current)
  - **Upol** (amperometric measurement with selectable polarization voltage)
- **STAT**  
Titration with constant maintenance of the measured value.  
Measuring modes:
  - **pH** (pH measurement)
  - **U** (potentiometric voltage measurement)
- **MAT**  
Manual titration with manual dosing and manual ending.  
Measuring modes (optional):
  - **pH** (pH measurement)
  - **U** (potentiometric voltage measurement)
- **MEAS**  
Measuring modes:
  - **pH** (pH measurement)
  - **U** (potentiometric voltage measurement)
  - **Ipol** (voltametric measurement with selectable polarization current)
  - **Upol** (amperometric measurement with selectable polarization voltage)
  - **T** (temperature measurement)
- **CAL**  
pH electrode calibration.  
Measuring mode:
  - **pH** (calibration of pH electrodes)
  - **ELT** (Electrode test for pH electrodes)



## 2.2 About the documentation








### CAUTION

Please read through this documentation carefully before putting the instrument into operation. The documentation contains information and warnings which the user must follow in order to ensure safe operation of the instrument.

### 2.2.1 Symbols and conventions

The following symbols and formatting may appear in this documentation:

(5-12)	<b>Cross-reference to figure legend</b> The first number refers to the figure number, the second to the instrument part in the figure.
<b>1</b>	<b>Instruction step</b> Perform the steps one after the other.
<b>Method</b>	<b>Dialog text, parameter</b> in the software
<b>File ► New</b>	Menu or menu item
<b>[Continue]</b>	<b>Button or key</b>
	<b>WARNING</b> This symbol draws attention to a possible life-threatening hazard or risk of injury.
	<b>WARNING</b> This symbol draws attention to a possible hazard due to electrical current.
	<b>WARNING</b> This symbol draws attention to a possible hazard due to heat or hot instrument parts.
	<b>WARNING</b> This symbol draws attention to a possible biological hazard.
	<b>WARNING</b> Warning of optical radiation



**CAUTION**

This symbol draws attention to possible damage to instruments or instrument parts.



**NOTICE**

This symbol highlights additional information and tips.

---

## 3 Safety

### 3.1 Intended use

The 916 Ti-Touch is designed for usage as a titrator in analytical laboratories. Its main area of use is volumetric titration.

This device is suitable for processing chemicals and flammable samples. Therefore, the use of the device requires the user to have basic knowledge and experience in handling toxic and caustic substances. Knowledge of the application of the fire prevention measures prescribed for laboratories is also mandatory.

### 3.2 Responsibility of the operator

The operator must ensure that basic regulations on occupational safety and accident prevention in chemical laboratories are observed. The operator has the following responsibilities:

- Instruct personnel in the safe handling of the product.
- Train personnel in the use of the product according to the user documentation (e.g. install, operate, clean, eliminate faults).
- Train staff on basic occupational safety and accident prevention regulations.
- Provide personal protective equipment (e.g. protective glasses, gloves).
- Provide suitable tools and equipment to carry out the work safely.

The product may be used only when it is in perfect condition. The following measures are required to ensure the safe operation of the product:

- Check the condition of the product before use.
- Remedy defects and malfunctions immediately.
- Maintain and clean the product regularly.

## 3.3 Requirements for operating personnel

Only qualified personnel may operate the product. Qualified personnel are persons who meet the following requirements:

- Basic regulations on occupational safety and accident prevention for chemical laboratories are known and complied with.
- Knowledge of handling hazardous chemicals is present. Personnel have the ability to recognize and avoid potential dangers.
- Knowledge regarding the application of fire prevention measures for laboratories is available.
- Safety-relevant information is communicated and understood. The personnel can operate the product safely.
- The user documentation has been read and understood. The personnel operate the product according to the instructions in the user documentation.

## 3.4 Safety instructions

### 3.4.1 General notes on safety



#### WARNING

---

Operate this instrument only according to the information contained in this documentation.

This instrument left the factory in a flawless state in terms of technical safety. To maintain this state and ensure non-hazardous operation of the instrument, the following instructions must be observed carefully.

### 3.4.2 Electrical safety

The electrical safety when working with the instrument is ensured as part of the international standard IEC 61010.



#### WARNING

---

Only personnel qualified by Metrohm are authorized to carry out service work on electronic components.

**WARNING**

Never open the housing of the instrument. The instrument could be damaged by this. There is also a risk of serious injury if live components are touched.

There are no parts inside the housing which can be serviced or replaced by the user.

**Supply voltage****WARNING**

An incorrect supply voltage can damage the instrument.

Only operate this instrument with a supply voltage specified for it (see rear panel of the instrument).

**Protection against electrostatic charges****WARNING**

Electronic components are sensitive to electrostatic charges and can be destroyed by discharges.

Do not fail to pull the power cord out of the power socket before you set up or disconnect electrical plug connections at the rear of the instrument.

**3.4.3 Tubing and capillary connections****CAUTION**

Leaks in tubing and capillary connections are a safety risk. Tighten all connections well by hand. Avoid applying excessive force to tubing connections. Damaged tubing ends lead to leakage. Appropriate tools can be used to loosen connections.

Check the connections regularly for leakage. If the instrument is used mainly in unattended operation, then weekly inspections are mandatory.



### 3.4.4 Flammable solvents and chemicals

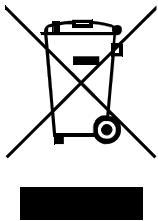


#### WARNING

All relevant safety measures are to be observed when working with flammable solvents and chemicals.

- Set up the instrument in a well-ventilated location (e.g. fume cupboard).
- Keep all sources of flame far from the workplace.
- Clean up spilled liquids and solids immediately.
- Follow the safety instructions of the chemical manufacturer.

### 3.4.5 Recycling and disposal



Properly dispose of chemicals and of the product to reduce negative effects on the environment and public health. Local authorities, waste disposal companies or dealers provide more detailed information on disposal. Observe the WEEE EU directive (WEEE = Waste Electrical and Electronic Equipment) for the proper disposal of waste electronic equipment within the European Union.

## 4 Overview of the instrument

### 4.1 Front of the instrument

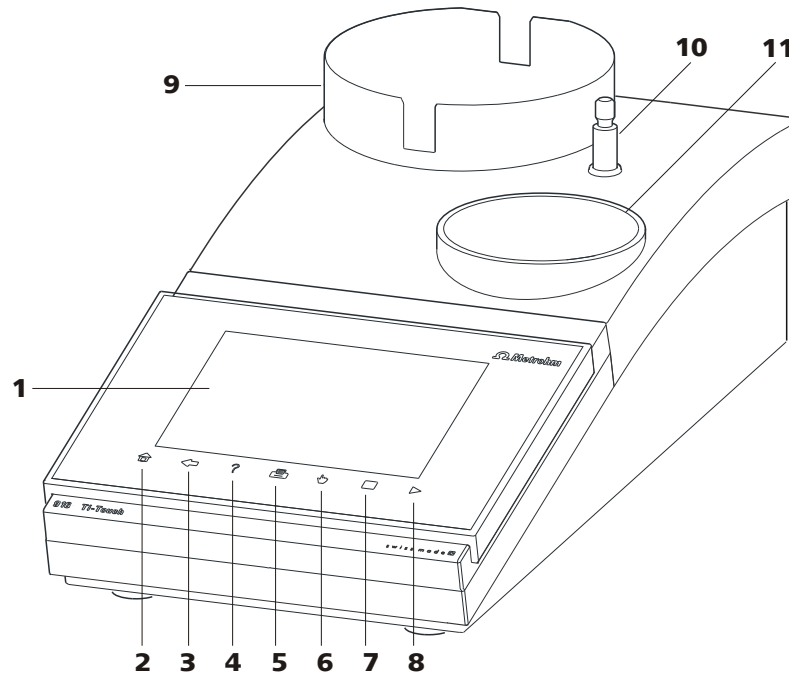


Figure 1 Front 916 Ti-Touch

<p><b>1 Display</b> Touch screen.</p>	<p><b>2 Fixed key [Home]</b> Opens the main dialog.</p>
<p><b>3 Fixed key [Back]</b> Saves the entry and opens the next-higher dialog page.</p>	<p><b>4 Fixed key [Help]</b> Opens the online help for the dialog displayed.</p>
<p><b>5 Fixed key [Print]</b> Opens the print dialog.</p>	<p><b>6 Fixed key [Manual]</b> Opens the manual control.</p>
<p><b>7 Fixed key [STOP]</b> Cancels the running determination.</p>	<p><b>8 Fixed key [START]</b> Starts a determination.</p>
<p><b>9 Bottle holder</b> With holding clips, for reagent bottle.</p>	<p><b>10 Support rod (lower part)</b> For mounting the support rod (upper part).</p>
<p><b>11 Titration stand</b> For placing the titration vessel (with built-in magnetic stirrer, depending on the product version).</p>	



## 5 Installation

### 5.1 Setting up the instrument

#### 5.1.1 Packaging

The instrument is supplied in protective packaging together with the separately packed accessories. Keep this packaging, as only this ensures safe transportation of the instrument.

#### 5.1.2 Checks

Immediately after receipt, check whether the shipment has arrived complete and without damage by comparing it with the delivery note.

#### 5.1.3 Location

The instrument has been developed for operation indoors and may not be used in explosive environments.

Place the instrument in a location of the laboratory which is suitable for operation and free of vibrations and which provides protection against corrosive atmosphere and contamination by chemicals.

The instrument should be protected against excessive temperature fluctuations and direct sunlight.

### 5.2 Connecting the power supply unit

The 916 Ti-Touch has an external power supply unit for a 24 V power supply (DC). This is connected to the power socket of the Ti-Touch.



#### WARNING

An incorrect supply voltage can damage the instrument.

Operate the instrument only with the supply voltage specified for it. Use the supplied power supply unit exclusively, see chapter *Technical specifications*.

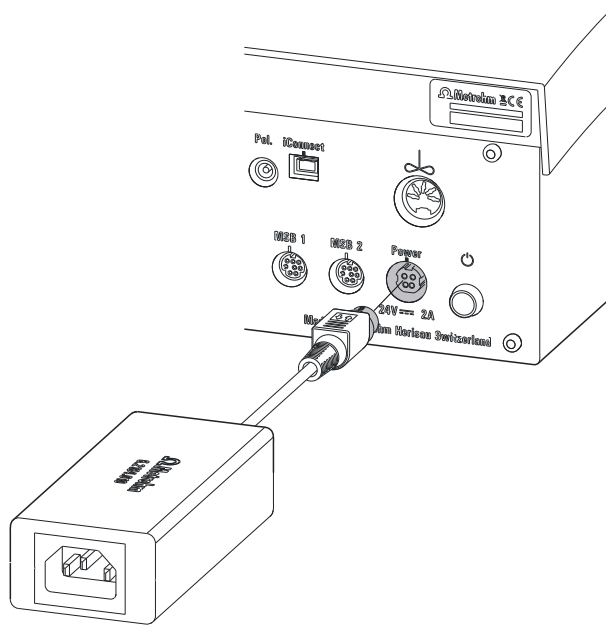


Figure 3 Connect power supply unit

Proceed as follows:

- 1 Connect the plug of the external power supply unit with the power socket of the Ti-Touch (see figure 3, page 14).



**NOTE**

The plug of the power supply unit is protected against accidental disconnection of the cable by means of a pull-out protection feature. If you wish to pull out the plug, you first need to pull back the outer plug sleeve marked with arrows.

- 2 Connect the power cord with the external power supply unit of the Ti-Touch and with the power grid.



**CAUTION**

Switch off the Ti-Touch correctly by pressing the power switch before you disconnect the electricity supply. If this is not done, then there is a danger of data loss.

## 5.3 Mounting the electrode holder

An electrode or, depending on the product version, a propeller stirrer can be mounted onto the 916 Ti-Touch with the aid of the electrode holder.



### NOTE

To prevent damage to the electrode or rod stirrer, the permissible immersion depth of the products applied can be fixed with the aid of the clamping ring on the electrode holder.

Proceed as follows:

- 1** Push the clamping ring (6.2013.010) down as far as possible onto the mounted support rod (6.2016.050). Make sure while doing so that the indent is facing upwards.
- 2** Attach the electrode holder (6.2021.020) on the support rod.
- 3** Keep the locking lever pressed down and push the electrode holder down.
- 4** Release the locking lever at the desired position. The electrode holder is fixed.
- 5** Readjust the clamping ring to the electrode holder position and screw tight to fix the position of the electrode holder. Make sure that the nose of the electrode holder is placed in the opening of the clamping ring.

## 5.4 Connecting the propeller stirrer (depending on the product version)

The 916 Ti-Touch is equipped with a built-in magnetic stirrer or a built-in stirrer connector, depending on the product version. You can connect the 802 Stirrer propeller stirrer to the stirrer connector.



### NOTE

Before the rod stirrer is connected, the electrode holder with the clamping ring must be mounted on the support rod, see (see chapter 5.3, page 15).

Proceed as follows:

- 1 Plug in the connection cable of the 802 Stirrer propeller stirrer to the stirrer connector of the Ti-Touch (2-**11**).

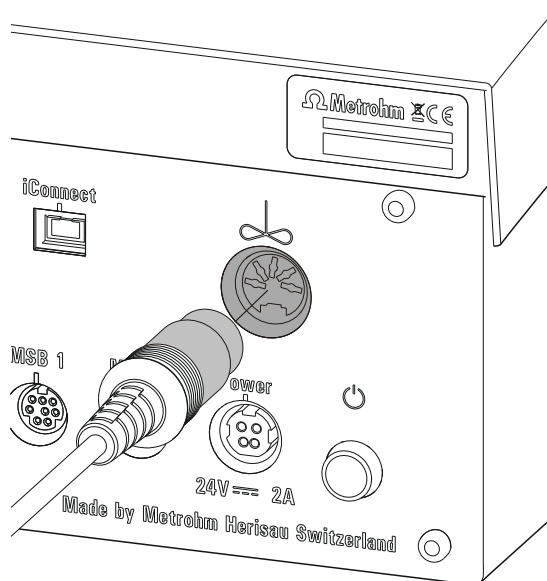


Figure 4 Connecting the propeller stirrer

- 2 Insert the propeller stirrer 802 Stirrer without the stirring propeller from above into the center opening of the electrode holder.
- 3 Plug the stirring propeller (6.1909.010) from below to the propeller stirrer.

- 4 Check whether the height of the electrode holder on the support rod is correctly selected and fixed to prevent damages on the propeller.

## 5.5 Connecting MSB devices

In order to connect MSB devices, e.g. dosing device or Remote Box, the Ti-Touch has two connectors at what is referred to as the *Metrohm Serial Bus* (MSB). Various peripheral devices can be connected in sequence (daisy chain) at a single MSB connector (8-pin Mini DIN socket) and be controlled simultaneously by the Ti-Touch. In addition to the connection cable, stirrers and the Remote Box are each equipped with their own MSB socket for this purpose.



### NOTE

The additional stirrer must not be connected to the MSB 1!

The following figure provides an overview of the instruments that can be connected to an MSB socket, along with a number of different cabling variations.

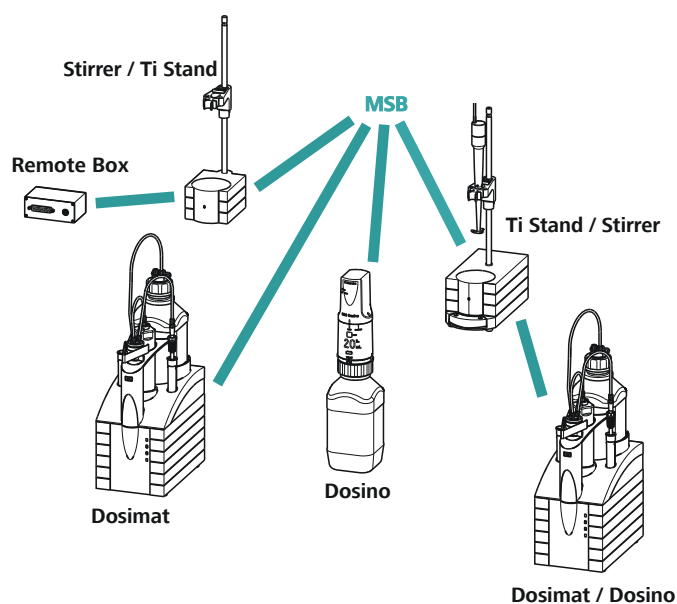


Figure 5 MSB connections



### NOTE

When connecting MSB devices together, the following must be observed:

- No additional stirrer may be connected to the MSB 1!
- Only one device of the same type may be used at a single MSB connector at one time.
- When making the connection, take care to ensure that the flat part of the MSB plug marked with arrows is pointing in the direction of the marking on the MSB connector (see figure 6, page 18).

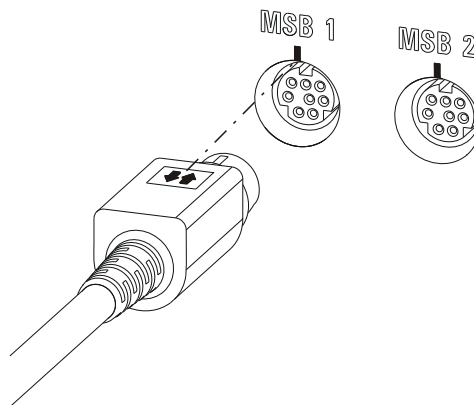


Figure 6 MSB connector



### CAUTION

Switch off the Ti-Touch before you plug in MSB devices. When it is switched on, the Ti-Touch automatically recognizes which device is connected to which MSB connector. The connected MSB devices are entered automatically in the device manager.

MSB connections can be extended with the 6.2151.010 cable. The maximum connection length permitted is 6 m.

#### 5.5.1 Connecting a dosing device

You can connect two dosing devices to the Ti-Touch.

The types of dosing devices that are supported are:

- 800 Dosino
- 805 Dosimat

Proceed as follows:

- 1 Switch off the Ti-Touch.

**2** Connect the dosing device connection cable to an MSB connector (2-7) on the rear side of the Ti-Touch.

**3** Switch on the Ti-Touch.

### 5.5.2 Connecting an additional stirrer or titration stand

Depending on the product version, you can use a further stirrer in addition to the built-in magnetic stirrer or the built-in stirrer connector for the propeller stirrer 802 Stirrer, namely the magnetic stirrer 801 Stirrer, the 803 Ti Stand or the 804 Ti Stand with the propeller stirrer 802 Stirrer .

Proceed as follows:

**1** Switch off the Ti-Touch.

**2** Connect the connection cable of the magnetic stirrer or of the titration stand to MSB 2 (2-7) on the rear of the Ti-Touch.

**3** Switch on the Ti-Touch.

### 5.5.3 Connecting a Remote Box

Instruments that are controlled via remote lines and/or that send control signals via remote lines can be connected via the 6.2148.010 Remote Box. In addition to Metrohm, other instrument manufacturers also use similar connectors that make it possible to connect different instruments together. These interfaces are also frequently given the designations "TTL Logic", "I/O Control" or "Relay Control" and they generally have a signal level of 5 volts.

Control signals are understood to be electrical line statuses or brief (> 200 ms) electrical pulses which display the operational state of an instrument or which trigger or report an event. Sequences on a variety of instruments can thus be coordinated in a single complex automation system. However, no exchange of data is possible.

Proceed as follows:

**1** Switch off the Ti-Touch.

**2** Connect the Remote Box connection cable to an MSB connector (2-7) on the rear side of the Ti-Touch.

**3** Switch on the Ti-Touch.



- 2 Configure the printer in the device manager of the Ti-Touch.

#### 5.6.4 Connecting a balance

If you want to connect a balance to the Ti-Touch you need a USB/RS-232 adapter (6.2148.050).

The following table offers an overview of the balances that you can use together with the Ti-Touch and of which cable you will need for connection to the RS-232 interface:

Balance	Cables
AND ER, FR, FX with RS-232 interface (OP-03)	6.2125.020 + 6.2125.010
Mettler AB, AG, PR (LC-RS9)	In the scope of delivery for the balance
Mettler AM, PM, PE with interface option 016 or Mettler AJ, PJ with interface option 018	6.2146.020 + 6.2125.010 Also from Mettler: ME 47473 adapter and either ME 42500 hand switch or ME 46278 foot switch
Mettler AT	6.2146.020 + 6.2125.010 Also from Mettler: ME 42500 hand switch or ME 46278 foot switch
Mettler AX, MX, UMX, PG, AB-S, PB-S, XP, XS	6.2134.120
Mettler AE with interface option 011 or 012	6.2125.020 + 6.2125.010 Also from Mettler: ME 42500 hand switch or ME 46278 foot switch
Ohaus Voyager, Explorer, Analytical Plus	Cable AS017-09 from Ohaus
Precisa balances with RS-232-C interface	6.2125.080 + 6.2125.010
Sartorius MP8, MC, LA, Genius, Cubis	6.2134.060
Shimadzu BX, BW	6.2125.080 + 6.2125.010



Connect the balance as follows:

- 1** Connect the USB plug of the USB/RS-232 adapter with the USB connector of the Ti-Touch (Type A).  
The USB/RS-232 adapter will be recognized automatically and entered in the device manager of the Ti-Touch.
- 2** Connect the RS-232 interface of the USB/RS-232 adapter with the RS-232 interface of the balance (see table for cable).
- 3** Switch on the balance.
- 4** If necessary, switch on the RS-232 interface of the balance.
- 5** Configure the RS-232 interface of the USB/RS-232 adapter in the device manager of the Ti-Touch .
- 6** Enter and configure the balance in the device manager of the Ti-Touch.
- 7** Make sure that the parameters of the USB/RS-232 adapter configured in the device manager match those of the balance.

### **5.6.5 Connecting a PC keyboard**

The PC keyboard is used as an aid for text and numerical input.

Connect the PC keyboard as follows:

- 1** Connect the USB plug of the keyboard with the USB connector of the Ti-Touch (Type A).
- 2** Enter and configure the keyboard in the device manager of the Ti-Touch.

### **5.6.6 Connecting a barcode reader**

The barcode reader is used as an aid for text and numerical input. You can connect a barcode reader with USB interface.

Connect the barcode reader as follows:

- 1** Connect the USB plug of the barcode reader with the USB connector of the Ti-Touch (Type A).

- 2 Enter and configure the barcode reader in the device manager.

### **Settings on the barcode reader:**

Program the barcode reader as follows (also see manual for the barcode reader):

- 1 Switch the barcode reader to programming mode.
- 2 Specify the desired layout for the keyboard (USA, Germany, France, Spain, German-speaking Switzerland).  
This setting must match the setting in the device manager.
- 3 Make sure that the barcode reader is set in such a way that Ctrl characters (ASCII 00 to 31) can be sent.
- 4 Program the barcode reader in such a way that the ASCII character 02 (STX or Ctrl B) is sent as the first character. This first character is normally referred to as the "Preamble" or "Prefix Code".
- 5 Program the barcode reader in such a way that the ASCII character 04 (EOT or Ctrl D) is sent as the last character. This last character is normally referred to as the "Postamble", "Record Suffix" or "Postfix Code".
- 6 Exit the programming mode.

## **5.6.7 Connecting a Sample Processor**

If you wish to integrate your Ti-Touch in an automation system, then you can connect the following Sample Processors to the USB connector:

- 814 USB Sample Processor
- 815 Robotic USB Sample Processor XL
- 810 Sample Processor (from firmware version 5.916.0040)

To connect a Sample Processor, you need the 6.2151.000 controller cable.

Connect the Sample Processor as follows:

- 1 Connect the Sample Processor to the power grid.
- 2 Connect the Sample Processor to the Ti-Touch with the controller cable.

The Sample Processor will be recognized automatically and entered in the device manager of the Ti-Touch.

**NOTE**

The plug on the controller cable is protected against accidental disconnection by means of a pull-out protection feature. If you wish to pull out the plug, you first need to pull back the outer plug sleeve marked with arrows.

- 3 Configure the Sample Processor in the device manager.

## 5.7 Connecting sensors

### 5.7.1 General

The measuring interface includes one high-ohm measuring input (**Ind.**) for a pH, metal or ion-selective electrode, one input (**Ref.**) for a separate reference electrode, one measuring input (**Temp.**) for a temperature sensor (Pt1000 or NTC), one measuring input (**Pol.**) for a polarizable electrode and one connector (**iConnect**) for an iConnect. This contains a measuring interface for electrodes with integrated data chip, referred to as iTrodes.

**NOTE**

Before the sensor is connected, the electrode holder must be mounted on the support rod with the clamping ring, see (*see chapter 5.3, page 15*).

### 5.7.2 Connecting a pH, metal or ion-selective electrode

Connect the pH, metal or ion-selective electrode as follows:

- 1 Plug the electrode plug into the **Ind.** socket of the Ti-Touch.

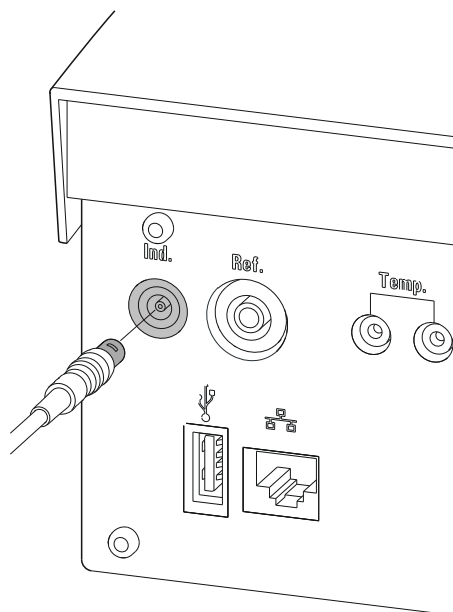


Figure 7 Connecting a pH, metal or ion-selective electrode



#### NOTE

The electrode cable is protected against accidental disconnection of the cable by means of a pull-out protection. If you wish to pull out the plug again, you first need to pull back the outer plug sleeve.

### 5.7.3 Connecting a reference electrode

Connect the reference electrode as follows:

- 1 Plug the electrode plug into the **Ref.** socket of the Ti-Touch.

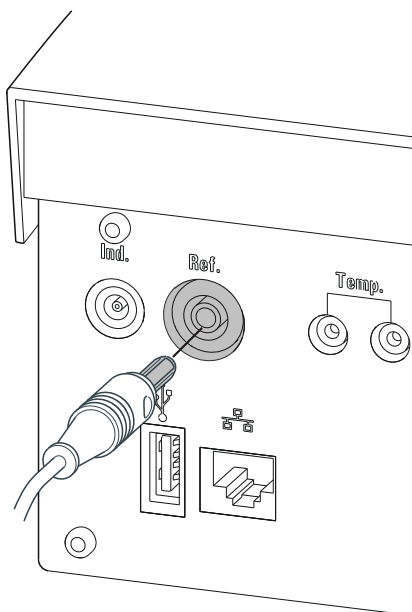


Figure 8 Connecting a reference electrode

#### 5.7.4 Connecting a polarizable electrode

Connect the polarizable electrode as follows:

- 1 Plug the electrode plug into the **Pol.** socket of the Ti-Touch.

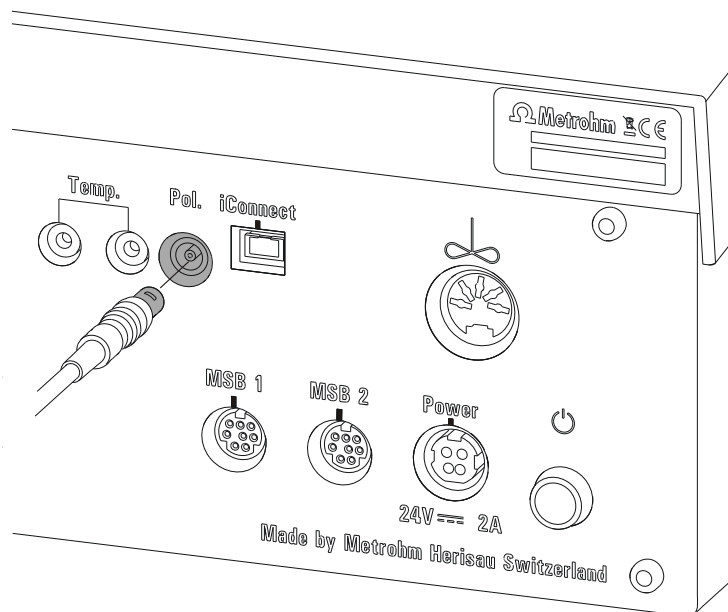


Figure 9 Connecting a polarizable electrode (stirrer connector; not available, depending on the product version)

**NOTE**

The electrode cable is protected against accidental disconnection of the cable by means of a pull-out protection. If you wish to pull out the plug again, you first need to pull back the outer plug sleeve.

### 5.7.5 Connecting the temperature sensor or electrode with integrated temperature sensor

A temperature sensor of the Pt1000 or NTC type can be connected to the **Temp.** connector.

Connect the temperature sensor or the electrode with integrated temperature sensor as follows:

- 1 Plug the temperature sensor plugs into the **Temp.** sockets of the Ti-Touch.

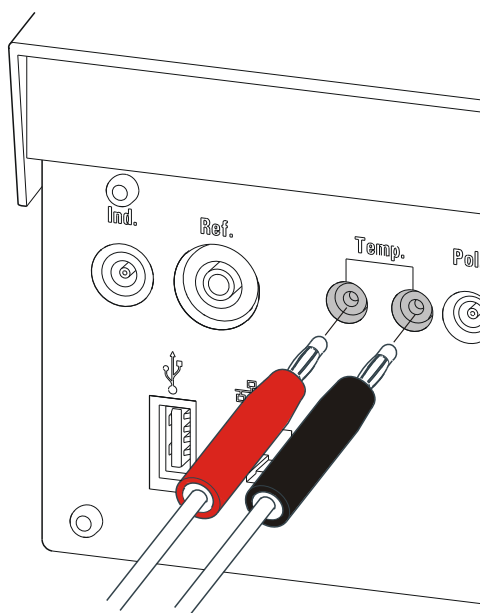


Figure 10 Connecting the temperature sensor or electrode with integrated temperature sensor

**NOTE**

The red plug must always be plugged into the red socket for the purpose of shielding against disruptions.

If you use an electrode with an integrated NTC sensor, then you must plug the red plug into the red socket.

### 5.7.6 Connecting the iConnect

The external measuring interface 854 iConnect can be connected to the **iConnect** connector.

#### Connecting the 6.2168.000 mini USB adapter cable to an instrument

If the mini USB adapter cable is not connected to the instrument yet, proceed as follows:

- 1 Plug the mini USB adapter cable (2) into the **iConnect** connector of the instrument (1). Observe the correct orientation (markings).

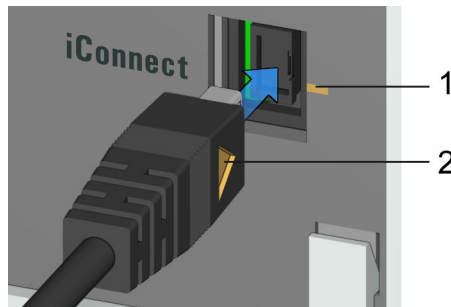


Figure 11 Plugging in the mini USB adapter cable

Depending on the instrument's model version, there may be several **iConnect** connectors.

- 2 Leave the adapter cable plugged in to protect the connector inside the instrument (1) against mechanical impact.

#### Connecting the 854 iConnect to the adapter cable

Make sure that the mini USB adapter cable is connected to the instrument.

The 854 iConnect can also be connected while the instrument is switched on.

- 1 Plug the plug of the 854 iConnect (3) into the socket of the mini USB adapter cable (2). Observe the correct orientation (markings).

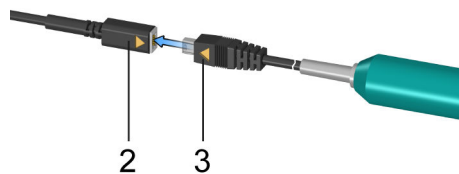


Figure 12 Plugging in the 854 iConnect

As soon as the instrument is switched on, the 854 iConnect is detected automatically and entered as measuring input into the device properties.

### Connecting the electrode

The 854 iConnect is used as measuring input for iTrodes (electrodes with integrated memory chip).

Connect the electrode as follows:

- 1 Remove the protective cap of the 854 iConnect.

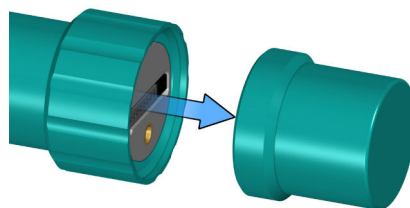


Figure 13 Removing the protective cap

- 2 Align the guide pin (5) of the electrode with the recess in the 854 iConnect (4).

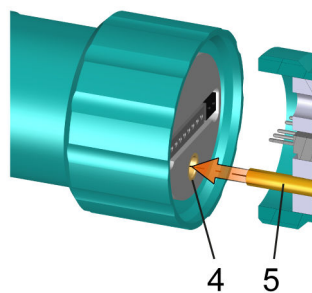


Figure 14 Aligning the guide pin

- 3 Attach the electrode to the 854 iConnect.

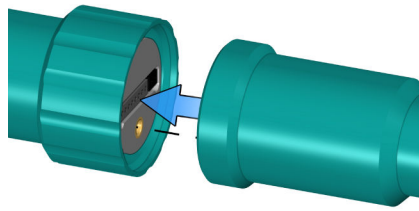


Figure 15 Attaching the electrode

The guide pin guarantees correct connection in such a way that the contact pins cannot be damaged.

- 4 Tighten the screw cap by hand.

If there is an electrode in the sensor list of the firmware or software, the electrode is detected automatically when connecting it.



**NOTE**

Mount the protective cap again as soon as the 854 iConnect is not in use anymore and no electrode is connected.

**Removing the 854 iConnect**

The 854 iConnect can also be removed while the instrument is switched on.

- 1 Unplug the 854 iConnect (3) from the socket of the mini USB adapter cable (2).

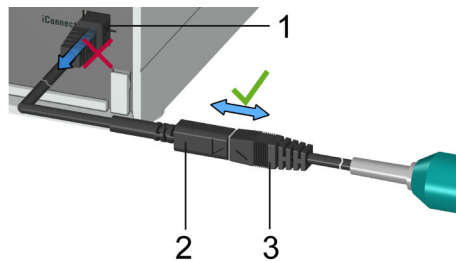


Figure 16 Unplugging the 854 iConnect

- 2 Leave the mini USB adapter cable (2) plugged into the socket of the instrument (1).

**NOTE**

Position the mini USB adapter cable in such a way that it cannot be removed by accident.

**NOTE**

For further information on the 854 iConnect, see *Manual iConnect 854*, article number 8.854.8002.

### 5.7.7 Differential potentiometry

Potentiometric measurements with high-ohm measuring chains can be disrupted by electrostatic and electromagnetic fields in media with low conductivity. Use our 6.0229.100 Solvotrode or other special electrodes for pH measurements in organic solvents. If no reliable measurements are possible with these, then a 6.5104.030 (230 V) or 6.5104.040 (115 V) differential amplifier can be used. The differential amplifier is connected to the high-ohm measuring input (**Ind.**).

## 5.8 Connecting the Ti-Touch to a network

The 916 Ti-Touch has a network connection (Ethernet). This can be used to integrate your Ti-Touch in your network. You can, for example, store data on a PC within the network or print reports on a network printer. You will find information as to which settings are necessary for the network connection in the *Device manager* chapter contained in the more detailed manual.

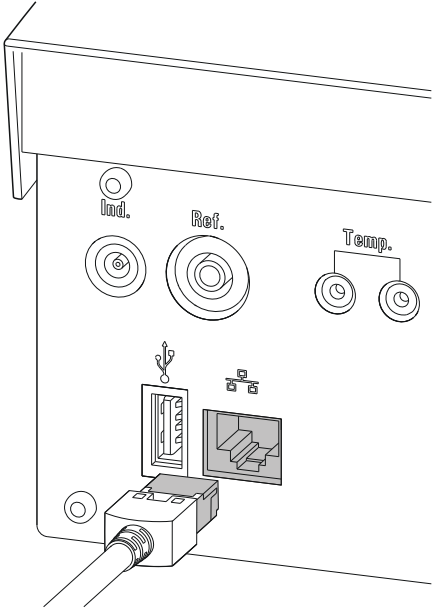


Figure 17 Connecting the Ti-Touch to a network

## 6 Operation

### 6.1 Switching the instrument on and off

#### Switching on the instrument



#### CAUTION

Peripheral devices (e.g., printers) must be connected and switched on before you switch on the 916 Ti-Touch.



#### NOTE

English is set as the default dialog language when the instrument is switched on for the first time.

Information about changing the dialog language can be found in the chapter *Selecting the dialog language* of the detailed manual.

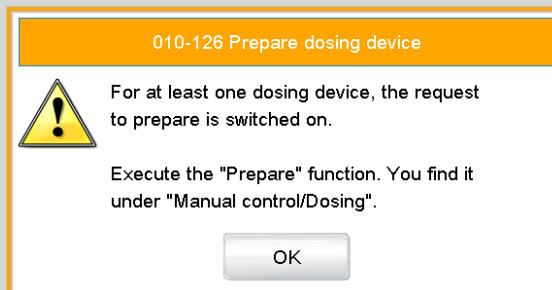
Proceed as follows:

- 1 ▪ Press the power switch on the left-hand side of the back panel of the 916 Ti-Touch.  
The 916 Ti-Touch is initialized. A system test is performed. This process takes some time.



**NOTE**

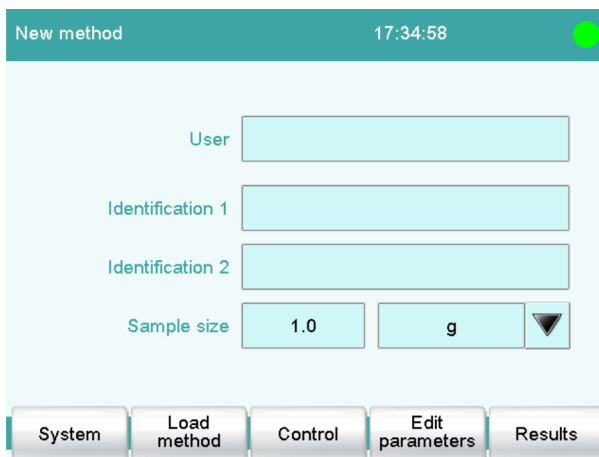
If a buret unit is connected, then a request appears to carry out the **Prepare** function:



All tubings and the cylinder are rinsed with the **Prepare** function. The preparing of the buret unit is described in the chapter *Manual control* of the detailed manual.

- Confirm the message with **[OK]**.

The main dialog is displayed:



**Switching off the instrument**



**CAUTION**

The 916 Ti-Touch must be switched off by pressing the power switch on the rear of the instrument before the electricity supply is interrupted. If this is not done, then there is a danger of data loss.


Proceed as follows:

- 1 Press the power switch on the left-hand side of the back panel of the 916 Ti-Touch.

The current data is saved and the system is shut down. This process takes just a short time. At the same time, all other instruments connected to the 916 Ti-Touch via a USB cable are also being switched off.

## 6.2 Fundamentals of operation

### 6.2.1 Touch-sensitive screen

The entire 916 Ti-Touch user interface is touch-sensitive. Simply touch a few of the buttons on the interface to learn how a touch-sensitive screen reacts. You can always return to the main dialog by touching [  ].

In order to enable an element on the 916 Ti-Touch user interface, just touch the screen with your fingertip, the eraser of a pencil or a stylus (special tool for operating instruments with touch-sensitive screens).

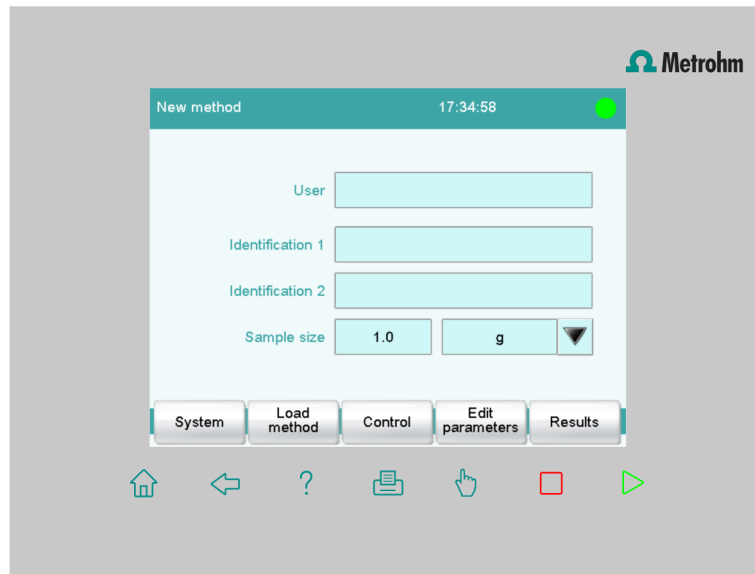


#### CAUTION

Never touch the touch screen with a pointed or sharp object such as a ballpoint pen.

In the default setting, the software is configured in such a way that an acoustic signal will be generated every time an active control is touched. This setting can be deactivated in the system settings.

## 6.2.2 Display elements and controls



The following display elements and controls are available:

Table 1 Fixed keys which are always available

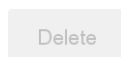
	<b>[Home]</b> always opens the main dialog.
	<b>[Back]</b> saves the entry and opens the next-higher dialog page.
	<b>[Help]</b> opens the online help for the dialog displayed.
	<b>[Print]</b> opens the printing dialog.
	<b>[Manual]</b> opens the manual control.
	<b>[Stop]</b> cancels the running determination.
	<b>[Start]</b> starts a determination.

The file name of the loaded method, the time and the system status are displayed in the main dialog in the **Title bar**.

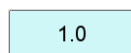
In the other dialogs, the title bar shows the headings of the next upper level and of the displayed dialog. This is an aid for orientation during navigation through the user dialog.

Table 2 Screen elements

	<b>Buttons</b> open a new dialog when they are tapped.



**Inactive buttons** with gray lettering indicate that the respective function is not available at the moment.



**Input fields** open an input dialog when tapped.



Tapping on the **selection symbol** opens a selection list.



A **check box** can also be activated or deactivated by tapping on it.

### 6.2.3 Status display

The current status of the system is displayed in the upper right-hand corner of the title bar.

Table 3 Status displays



The instrument is in normal status.



The working medium is being conditioned.



Conditioning has been paused.



The working medium is conditioned.



A method has been started.



A method has been paused.



An action has been started in manual control.

## 6.2.4 Entering text and numbers

In the editing dialog for text or numerical input, enter the individual characters by tapping in the input field. The following functions are available:

### Text editor



Table 4 Editing functions

Editing function	Description
[OK]	The modification is applied and the editing dialog is exited.
[Cancel]	The editing dialog is exited without applying the modification.
[Delete entry]	The content of the input field is deleted completely.
[□]	The character in front of the cursor is deleted.
[⇐]	The cursor within the input field is shifted to the left by one character.
[⇒]	The cursor within the input field is shifted to the right by one character.
[a...z]	The lower-case letters are displayed. The label changes to [A...Z]. The upper-case letters are displayed again by tapping.
[0-9]	Numbers and mathematical characters are displayed.
[Special characters]	Special characters are displayed. You can use the button [More] to navigate through all available characters.

## Number editor

Edit command / Stop conditions

Stop time  s

Input:  
1 ... 999999

Default value:  
off

7	8	9	off
4	5	6	R1 ▼
1	2	3	
0	+/-	.	

Cancel Delete entry OK

Table 5 Editing functions

Editing function	Description
<b>[OK]</b>	The modification is applied and the editing dialog is exited.
<b>[Cancel]</b>	The editing dialog is exited without applying the modification.
<b>[Delete entry]</b>	The content of the input field is deleted completely.
<b>[off]</b>	If not only numbers but also special values (e.g., <b>off</b> ) can be entered, then the corresponding buttons will be shown to the right of the numerical keypad.
<b>[R1]</b>	For many parameters, a result previously defined in the method can also be entered in place of a number. You will find precise information concerning this in the Appendix of the detailed manual. You can select the result variable by touching <b>[R1]</b> .



### NOTE

A commercially available USB keyboard can be connected to make text and numerical input easier.

The key assignment is described in the chapter *Device manager* of the detailed manual.

# 7 Maintenance

## Maintenance

The electronic and mechanical functional groups of Metrohm instruments can and should be checked by specialist personnel from Metrohm as part of a regular preventive maintenance schedule. Please ask your local Metrohm representative regarding the precise terms and conditions involved in concluding a corresponding maintenance agreement.

For detailed information on this topic, please visit [www.metrohm.com](http://www.metrohm.com).

## Cleaning

### Cleaning the surfaces of the instrument

#### Prerequisites

- The instrument is disconnected from the power grid.

- 1 Clean the surfaces with a damp cloth.



#### NOTE

---

Water or ethanol can be used as a cleaning medium.



#### NOTE

---

The connectors at the rear of the instrument must only be cleaned with a dry cloth.

# Index

800 Dosino .....	18
801 Stirrer .....	19
803 Ti Stand .....	19
804 Ti Stand .....	19
805 Dosimat .....	18

## B

Balance .....	21
Barcode reader	
Connect .....	22

## C

Connect	
Balance .....	21
Barcode reader .....	22
Dosing device .....	18
MSB devices .....	17
PC keyboard .....	22
Power supply unit .....	13
Printer .....	20
Remote Box .....	19
Sample Processor .....	23
Stirrer or titration stand .....	19
USB devices .....	20
USB hub .....	20

## D

DET .....	2
Differential potentiometry .....	31
Dosing device	
Connect .....	18

## E

Electrostatic charge .....	9
Ethernet connector .....	31

## F

Fixed key .....	11
-----------------	----

## I

Installation	
Set up instrument .....	13
Instrument	
Switch off .....	34
Switch on .....	33

## K

Keyboard	
Connect .....	22

## M

Magnetic stirrer	
Connect .....	19
MAT .....	3
MET .....	3
Metrohm Serial Bus MSB, see also	
"MSB" .....	17
MSB	
Connect devices .....	17

## N

Network connection .....	31
Numerical input .....	38

## O

Operation	
General .....	35

## P

PC keyboard	
Connect .....	22
Power supply unit	
Connect .....	13
Printer .....	20

## R

Remote Box	
Connect .....	19

## S

Safety .....	7
Safety instructions .....	8
Sample Processor	
Connect .....	23
Service .....	8
SET .....	3
Set up instrument .....	13
STAT .....	3
Stirrer	
Connect .....	19
Supply voltage .....	9
Switch off .....	34
Switch on .....	33

## T

Text input .....	38
Titration mode	
DET .....	2
MAT .....	3
MET .....	3
SET .....	3
STAT .....	3
Titration stand .....	19
Connect .....	19
Touch screen .....	35

## U

USB	
Connect devices .....	20
USB hub	
Connect .....	20