

890 Titrande



Manual

8.890.8002EN / v6 / 2025-09-12



Metrohm AG

CH-9100 Herisau

Switzerland

Phone +41 71 353 85 85

Fax +41 71 353 89 01

info@metrohm.com

www.metrohm.com

890 Titrando

Manual

Technical Communication
Metrohm AG
CH-9100 Herisau
techcom@metrohm.com

This documentation is protected by copyright. All rights reserved.

This documentation has been prepared with great care. However, errors can never be entirely ruled out. Please send comments regarding possible errors to the address above.

Table of contents

1	Introduction	1
1.1	The Titrando system	1
1.2	Device description	2
1.3	Titration modes – Measuring modes – Dosing commands	2
1.4	About the documentation	3
1.4.1	Accessories	3
1.4.2	Symbols and conventions	4
2	Safety	6
2.1	Intended use	6
2.2	Responsibility of the operator	6
2.3	Personnel requirement	7
2.4	Safety instructions	7
2.4.1	Electrical safety	7
2.4.2	Tubing and capillary connections	8
2.4.3	Flammable solvents and chemicals	8
3	Overview of the instrument	9
4	Installation	11
4.1	Setting up the instrument	11
4.1.1	Packaging	11
4.1.2	Checks	11
4.1.3	Location	11
4.2	Connecting a controller	11
4.2.1	Operation	11
4.3	Connecting MSB devices	16
4.3.1	Connecting a dosing device	17
4.3.2	Connecting a stirrer or titration stand	18
4.3.3	Connecting a Remote Box	19
4.4	Connecting USB devices	20
4.4.1	General	20
4.4.2	Connecting a USB hub	21
4.4.3	Connecting a printer	21
4.4.4	Connecting a balance	22
4.4.5	Connecting a PC keyboard (only for operation with Touch Control)	23
4.4.6	Connecting a barcode reader	24



4.5	Connecting sensors	25
4.5.1	Connecting a polarizable electrode	25
5	Working with the exchange unit	26
6	Operation and maintenance	28
6.1	General notes	28
6.1.1	Care	28
6.1.2	Maintenance by Metrohm Service	28
7	Troubleshooting	29
7.1	General	29
7.2	Karl Fischer titration	30
7.2.1	30
8	Appendix	32
8.1	Remote interface	32
8.1.1	Pin assignment of the remote interface	32
9	Technical specifications	36
9.1	Measuring interface	36
9.1.1	Polarizer	36
9.2	Internal dosing device	37
9.3	Power connection	37
9.4	Ambient conditions	37
9.5	Reference conditions	38
9.6	Dimensions	38
9.7	Interfaces	38
	Index	40

Table of figures

Figure 1	The Titrand system	1
Figure 2	Front 890 Titrand	9
Figure 3	Rear 890 Titrand	10
Figure 4	Connecting the Touch Control	12
Figure 5	Connecting the computer	15
Figure 6	MSB connections	16
Figure 7	Connecting a dosing device	18
Figure 8	Connecting an MSB stirrer	19
Figure 9	Connecting the rod stirrer to the titration stand	19
Figure 10	Connecting the Remote Box	20
Figure 11	Connecting a printer	22
Figure 12	Connecting a polarizable electrode	25
Figure 13	Attaching the exchange unit	26
Figure 14	Connectors of the Remote Box	32
Figure 15	Pin assignment of remote socket and remote plug	32

1 Introduction

1.1 The Titrando system

The Titrando is the heart of the modular Titrando system. Operation is carried out either by a Touch Control with a touch-sensitive screen ("stand-alone titrator") or by a computer with a corresponding software.

A Titrando system can contain numerous, various kinds of devices. The following figure provides an overview of the peripheral devices you can connect to the 890 Titrando.

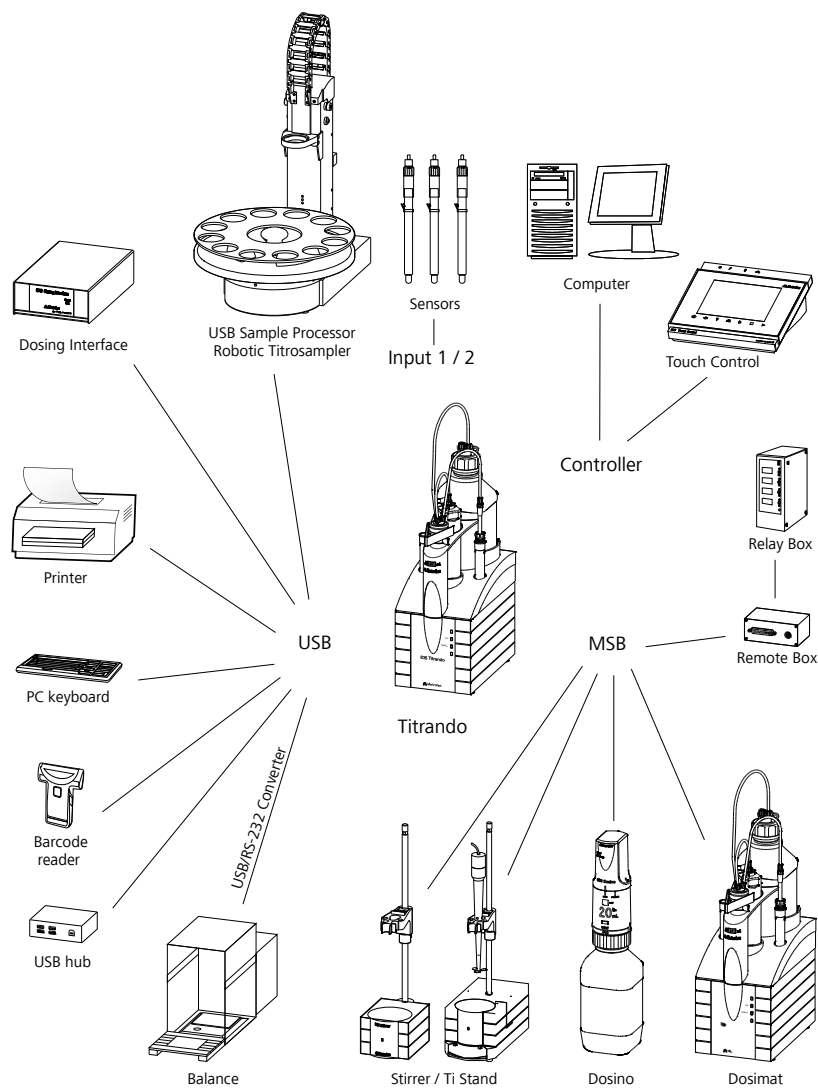


Figure 1 The Titrando system



Up to three control instruments (Titrande, Dosing Interface, USB Sample Processor, etc.) can be controlled via USB connection during operation with the 900 Touch Control.

You can request information on special applications in the "Application Bulletins" and "Application Notes", available free of charge via the Metrohm representative responsible. Various monographs on the subjects of titration techniques and electrodes are also available.

Updating the device software is described in the help of the corresponding PC software.

1.2 Device description

The 890 Titrande has the following characteristics:

- **Operation**
Operation is carried out by means of a touch-sensitive Touch Control or with a high-performance PC software.
- **Dosing**
An internal dosing drive for exchange units.
- **MSB connectors**
Four MSB connectors (Metrohm Serial Bus) for connecting dosing devices (Dosimat with exchange unit or Dosino with dosing unit), stirrers, titration stands and Remote Boxes.
- **USB connectors**
Two USB connectors, through which devices such as printers, PC keyboards, barcode readers or additional control devices (USB Sample Processor, Titrande, Dosing Interface, etc.) can be connected.
- **Measuring interface**
One measuring input for a polarizable electrode.

1.3 Titration modes – Measuring modes – Dosing commands

The 890 Titrande supports the following titration modes, measuring modes and dosing commands:

- **KFT**
Volumetric water content determination according to Karl Fischer.
Measuring modes:
 - **Ipol** (voltametric measurement with selectable polarization current)
 - **Upol** (amperometric measurement with selectable polarization voltage)

- **MEAS**

The following measuring modes can be selected for measurements:

- **Ipol** (voltametric measurement with selectable polarization current)
- **Upol** (amperometric measurement with selectable polarization voltage)

- **Dosing commands**

The following commands for dosing can be selected:

- **PREP** (rinsing the cylinder and tubings of an exchange unit or dosing unit)
- **EMPTY** (emptying the cylinder and tubings of a dosing unit)
- **ADD** (dosing a specified volume)

1.4 About the documentation



CAUTION

Please read through this documentation carefully before putting the device into operation. The documentation contains information and warnings which the user must follow in order to ensure safe operation of the device.

1.4.1 Accessories

Up-to-date information on the scope of delivery and optional accessories for your product can be found on the Internet. You can download this information using the article number as follows:

Downloading the accessories list

- 1** Enter <https://www.metrohm.com/> into your Internet browser.
- 2** Enter the article number (e.g. **890**) into the search field.
The search result is displayed.
- 3** Click on the product.
Detailed information regarding the product is shown on various tabs.
- 4** On the **Included parts** tab, click on **Download the PDF**.
The PDF file with the accessories data is created.

**NOTE**

Once you have received your new product, we recommend downloading the accessories list from the Internet, printing it out and keeping it together with the manual for reference purposes.

1.4.2 Symbols and conventions

The following symbols and formatting may appear in this documentation:

*(5-12)***Cross-reference to figure legend**

The first number refers to the figure number, the second to the device part in the figure.

1**Instruction step**

Perform the steps one after the other.

Method**Dialog text, parameter** in the software**File ► New**

Menu or menu item

[Continue]**Button** or **key****WARNING**

This symbol draws attention to a possible life-threatening hazard or risk of injury.

**WARNING**

This symbol draws attention to a possible hazard due to electrical current.

**WARNING**

This symbol draws attention to a possible hazard due to heat or hot instrument parts.

**WARNING**

This symbol draws attention to a possible biological hazard.

**WARNING**

Warning of optical radiation

**CAUTION**

This symbol draws attention to possible damage to devices or device parts.



NOTICE

This symbol highlights additional information and tips.

2.3 Personnel requirement

Only qualified personnel may operate the product. Qualified personnel are persons who meet the following requirements:

- Knowledge of basic regulations on occupational safety and accident prevention.
- Knowledge regarding the application of fire prevention measures for laboratories.
- In-depth knowledge of handling hazardous chemicals.
- Personnel have been instructed and are able to operate the product safely and independently recognize and avoid potential dangers.
- The user documentation has been read and understood. The personnel operate the product according to the instructions in the user documentation.

2.4 Safety instructions

2.4.1 Electrical safety

The electrical safety when working with the instrument is ensured as part of the international standard IEC 61010.



WARNING

Only personnel qualified by Metrohm are authorized to carry out service work on electronic components.



WARNING

Never open the housing of the instrument. The instrument could be damaged by this. There is also a risk of serious injury if live components are touched.

There are no parts inside the housing which can be serviced or replaced by the user.

Supply voltage



WARNING

An incorrect supply voltage can damage the instrument.

Only operate this instrument with a supply voltage specified for it (see rear panel of the instrument).

Protection against electrostatic charges



WARNING

Electronic components are sensitive to electrostatic charges and can be destroyed by discharges.

Do not fail to pull the power cord out of the power socket before you set up or disconnect electrical plug connections at the rear of the instrument.

2.4.2 Tubing and capillary connections



CAUTION

Leaks in tubing and capillary connections are a safety risk. Tighten all connections well by hand. Avoid applying excessive force to tubing connections. Damaged tubing ends lead to leakage. Appropriate tools can be used to loosen connections.

Check the connections regularly for leakage. If the instrument is used mainly in unattended operation, then weekly inspections are mandatory.

2.4.3 Flammable solvents and chemicals



WARNING

All relevant safety measures are to be observed when working with flammable solvents and chemicals.

- Set up the instrument in a well-ventilated location (e.g. fume cupboard).
- Keep all sources of flame far from the workplace.
- Clean up spilled liquids and solids immediately.
- Follow the safety instructions of the chemical manufacturer.

3 Overview of the instrument

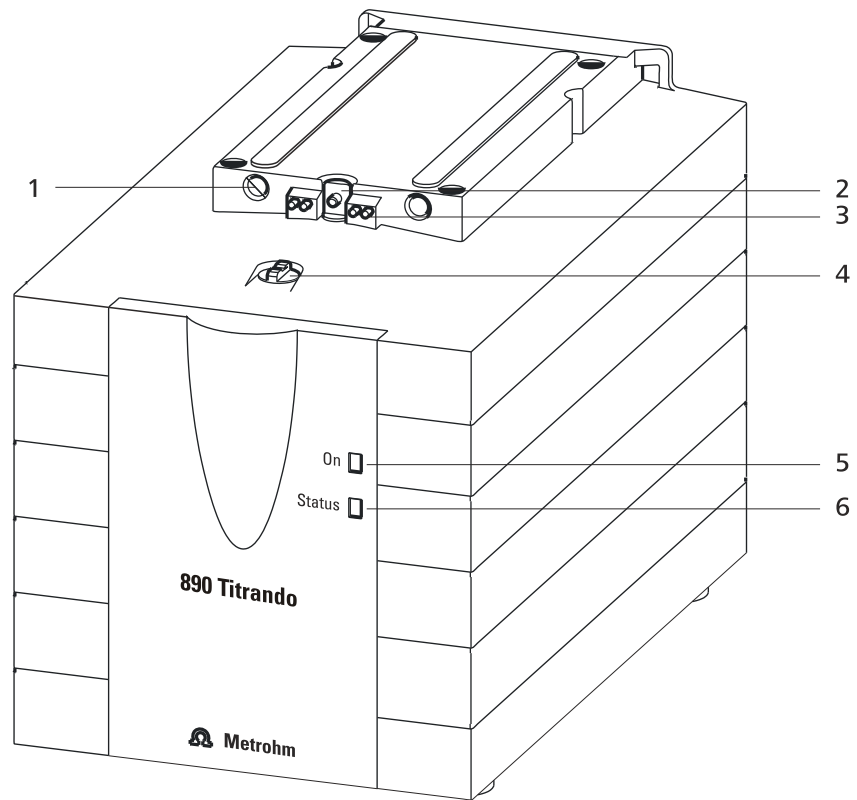


Figure 2 Front 890 Titrando

1 Guide openings

For centering the exchange unit.

3 Contact pins

For the data chip.

5 "On" LED

Lights up when the Titrando is ready for operation.

2 Piston rod

Moves the piston of the exchange unit up and down.

4 Coupling

For switching the flat stopcock.

6 "Status" LED

Shows the current status of the internal dosing drive.

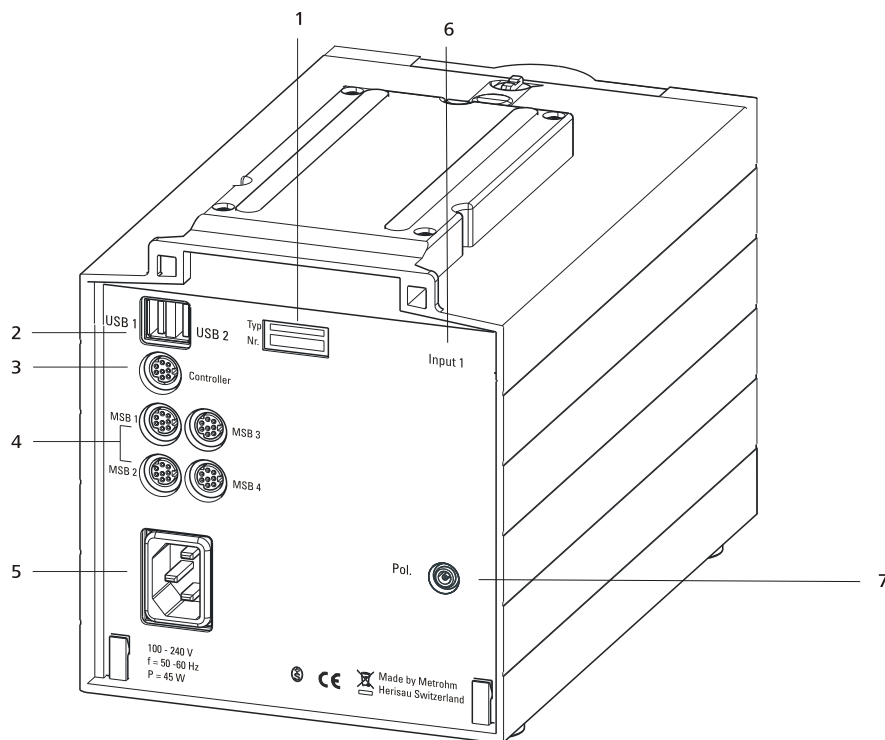


Figure 3 Rear 890 Titrandos

1 Type plate

Contains specifications concerning supply voltage, instrument type and serial number.

3 Connector (Controller)

For connecting a Touch Control or a PC with installed PC software. Mini DIN, 9-pin.

5 Power socket

7 Electrode connector (Pol.)

For connecting polarizable electrodes, e.g. double Pt wire electrodes. Socket F.

2 USB connector (USB 1 and USB 2)

USB ports (type A) for connecting printer, keyboard, barcode reader, additional Titrandos, USB Sample Processor, etc.

4 MSB connector (MSB 1 to MSB 4)

Metrohm Serial Bus. For connecting external dosing devices, stirrers or Remote Boxes. Mini DIN, 9-pin.

6 Measuring interface 1 (Input 1)

4 Installation

4.1 Setting up the instrument

4.1.1 Packaging

The instrument is supplied in protective packaging together with the separately packed accessories. Keep this packaging, as only this ensures safe transportation of the instrument.

4.1.2 Checks

Immediately after receipt, check whether the shipment has arrived complete and without damage by comparing it with the delivery note.

4.1.3 Location

The instrument has been developed for operation indoors and may not be used in explosive environments.

Place the instrument in a location of the laboratory which is suitable for operation and free of vibrations and which provides protection against corrosive atmosphere and contamination by chemicals.

The instrument should be protected against excessive temperature fluctuations and direct sunlight.

4.2 Connecting a controller

4.2.1 Operation

Two different versions are available for operating the 890 Titrando:

- A Touch Control with touch-sensitive screen. It forms a "stand-alone instrument" together with the 890 Titrando.
- A computer enables operation of the 890 Titrando with the help of a PC software, e.g. *tiamo*.



CAUTION

Take care to ensure that the power cord is pulled out of the power socket before either setting up or disconnecting connections between the instruments.

**CAUTION**

The Touch Control must be shut down properly by deactivation with the power switch on the rear of the instrument before the power supply is interrupted. If this is not done, then there is a danger of data loss. Because of the fact that the power supply for the Touch Control is provided through the Titrando, you must never disconnect the Titrando from the power grid (e.g. by deactivating with a connector strip) before you have deactivated the Touch Control.

If you would prefer not to position the Touch Control directly next to the Titrando, then you can lengthen the connection with the 6.2151.010 cable. The maximum connection length permitted is 5 m.

4.2.1.2 Connecting the instrument to the power grid**WARNING****Electric shock from electrical potential**

Risk of injury by touching live components or through moisture on live parts.

- Never open the housing of the instrument while the power cord is still connected.
- Protect live parts (e.g. power supply unit, power cord, connection sockets) against moisture.
- Unplug the power plug immediately if you suspect that moisture has gotten inside the instrument.
- Only personnel who have been issued Metrohm qualifications may perform service and repair work on electrical and electronic parts.

Connecting the power cord*Accessories*

Power cord with the following specifications:

- Length: max. 2 m
- Number of cores: 3, with protective conductor
- Instrument plug: IEC 60320 type C13
- Conductor cross-section 3x min. 0.75 mm² / 18 AWG
- Power plug:
 - according to customer requirement (6.2122.XX0)
 - min. 10 A

**NOTE**

Do not use a not permitted power cord!

1 Plugging in the power cord

- Plug the power cord into the instrument's power socket.
- Connect the power cord to the power grid.

4.2.1.3 Connecting a computer

The 890 Titrande requires a USB connection to a computer in order to be able to be controlled by a computer software. Using a 6.2151.000 controller cable, the instrument can be connected directly, either to a USB socket on a computer, to a connected USB hub or to a different Metrohm control instrument.

You need administrator rights for the installation of driver software and control software on your computer.

Cable connection and driver installation

A driver installation is required in order to ensure that the 890 Titrande is recognized by the computer software. To accomplish this, you must comply with the procedures specified. The following steps are necessary:

1 Install the software

- Insert the computer software installation CD and carry out the installation program directions.
- Exit the program if you have started it after the installation.

2 Establishing the cable connections

- Connect all peripheral devices to the instrument, *see chapter 4.3, page 16*.
- Connect the instrument to the power grid if you have not already done this (*see chapter 4.2.1.2, page 13*).
The "On" LED on the 890 Titrande is not yet illuminated!
- Connect the instrument to a USB connector (type A) of your computer (see manual of your computer). The 6.2151.000 cable is used for this purpose.

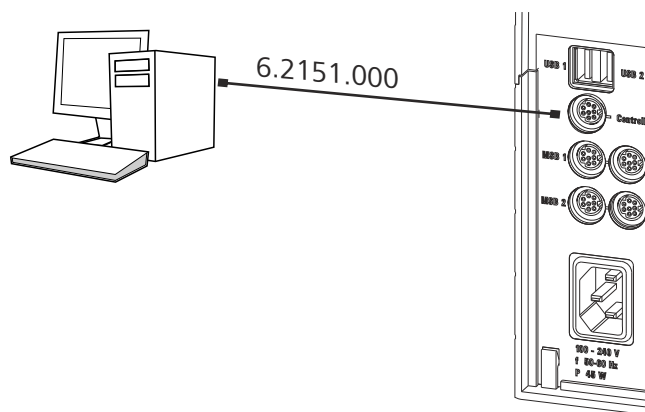


Figure 5 Connecting the computer

The instrument is recognized. Depending on the version of the Windows operating system used, the driver installation proceeds differently afterwards. Either the necessary driver software is installed automatically or an installation wizard is started.

3 Follow the instructions of the installation wizard.

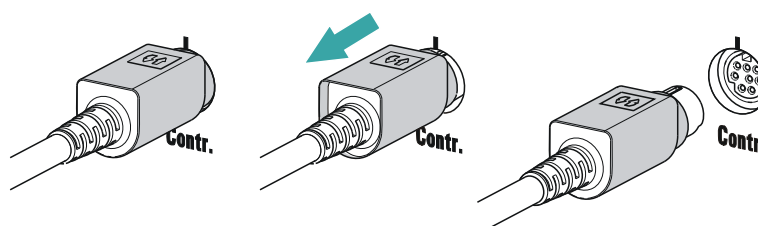
The "On" LED on the 890 Titrande lights up when the driver installation has been completed and the instrument is ready for operation.

If problems should occur during installation, contact your company's IT support team.



NOTE

The plug on the instrument end of the 6.2151.000 controller cable is protected against accidental disconnection by means of a pull-out protection feature. If you wish to pull out the plug, you first need to pull back the outer plug sleeve marked with arrows.



Registering and configuring the instrument in the computer software

The instrument must be registered in the configuration of your computer software. Once that has been done, you can then configure it according to your requirements. Proceed as follows:

1 Setting up the instrument

- Start the computer software.
The instrument is automatically recognized. The configuration dialog for the instrument is displayed.
- Make configuration settings for the instrument and its connectors.

More detailed information concerning the configuration of the instrument can be found in the documentation for the respective computer software.

4.3 Connecting MSB devices

In order to connect MSB devices, e.g. stirrers or dosing devices, Metrohm instruments are equipped with up to a maximum of four connectors on what is referred to as the *Metrohm Serial Bus* (MSB). Various kinds of peripheral devices can be connected in sequence (in series, as a "Daisy Chain") at a single MSB connector (8-pin Mini DIN socket) and controlled simultaneously by the respective control instrument. In addition to the connection cable, stirrers and the Remote Box are each equipped with their own MSB socket for this purpose.

The following figure provides an overview of the instruments that can be connected to an MSB socket, along with a number of different cabling variations.

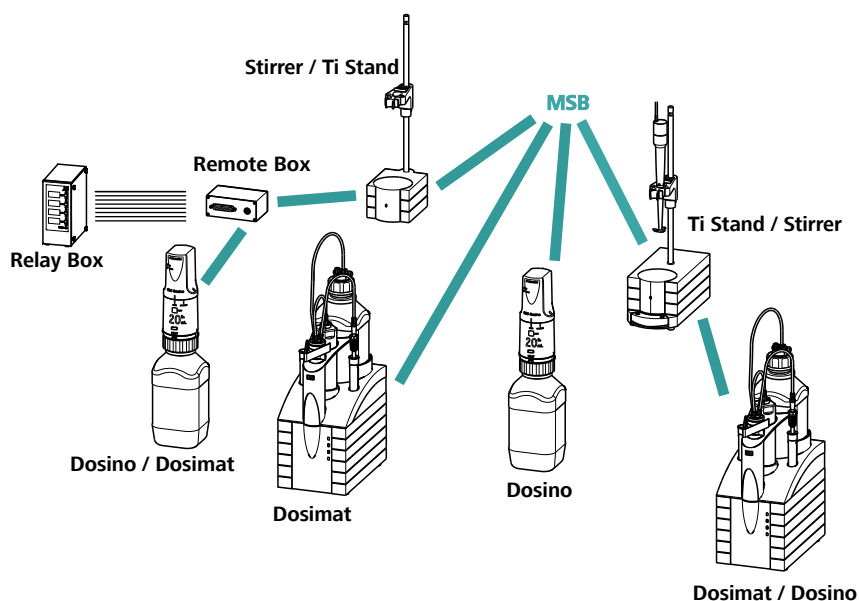


Figure 6 MSB connections

The control instrument determines which peripheral devices are supported.

**NOTE**

When connecting MSB devices together, the following must be observed:

- Only one device of the same type can be used at a single MSB connector at one time.
- Dosing devices of the 700 Dosino and 685 Dosimat plus type cannot be connected together with other MSB devices on a shared connector. These dosing devices must be connected separately.

**CAUTION**

Exit the control software before you plug in MSB devices. When it is switched on, the control instrument automatically recognizes which device is connected to which MSB connector. The operating unit or the control software enters the connected MSB devices into the system configuration (device manager).

MSB connections can be extended with the 6.2151.010 cable. The maximum connection length permitted is 15 m.

4.3.1 Connecting a dosing device

Three dosing devices can be connected to the instrument (**MSB 2 to MSB 4**).

The types of dosing devices that are supported are:

- 800 Dosino
- 700 Dosino
- 805 Dosimat
- 685 Dosimat plus

Proceed as follows:

1 Connecting a dosing device

- Exit the control software.
- Connect the connection cable of the dosing device to one of the sockets marked with **MSB** on the rear of the control device.
- Start the control software.

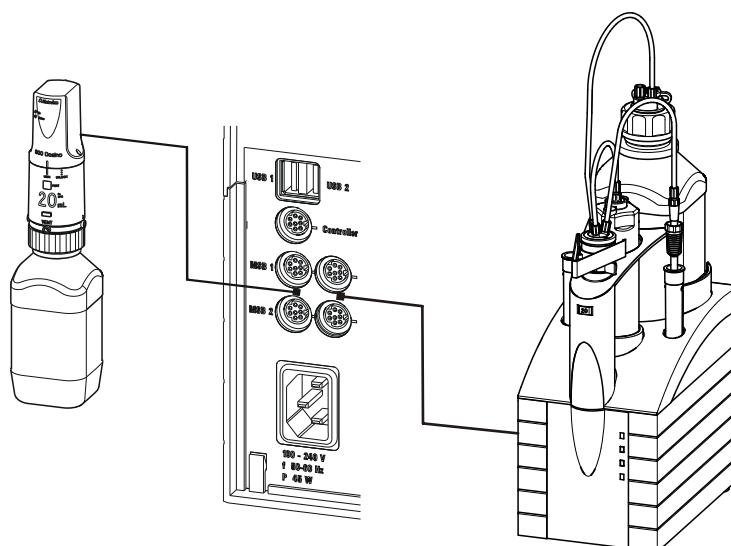


Figure 7 Connecting a dosing device

4.3.2 Connecting a stirrer or titration stand

You can use the following instruments:

These devices have a built-in magnetic stirrer (stirring "from below"):

- 801 Stirrer
- 803 Ti Stand

This device has no built-in magnetic stirrer (stirring "from above"):

- 804 Ti Stand with rod stirrer 802 Stirrer

Connect a stirrer or a titration stand as follows:

1 Connecting the stirrer or titration stand

- Exit the control software.
- Connect the connection cable of the magnetic stirrer or of the titration stand to one of the sockets marked with **MSB** on the rear of the control instrument.
- 804 Ti Stand only: Connect the rod stirrer to the stirrer connector (socket with stirrer symbol) of the titration stand.
- Start the control software.

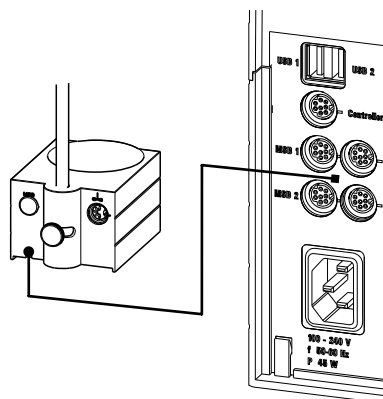


Figure 8 Connecting an MSB stirrer

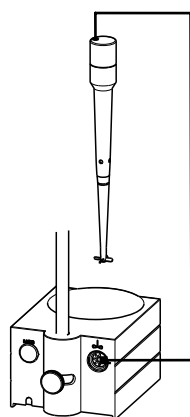


Figure 9 Connecting the rod stirrer to the titration stand

4.3.3 Connecting a Remote Box

Instruments that are controlled via remote lines and/or that send control signals via remote lines can be connected via the 6.2148.010 Remote Box. In addition to Metrohm, other instrument manufacturers also use similar connectors that make it possible to connect different instruments together. These interfaces are also frequently given the designations "TTL Logic", "I/O Control" or "Relay Control" and they generally have a signal level of 5 volts.

Control signals are understood to be electrical line statuses or electrical pulses (> 200 ms) which display the operating status of an instrument or which trigger or report an event. Sequences on a variety of instruments can thus be coordinated in a single complex automation system. However, no exchange of data is possible.

Proceed as follows:

1 Connecting the Remote Box

- Exit the control software.

**CAUTION**

If you operate the 890 Titrando with the aid of the Touch Control, take care to ensure that the Touch Control is switched off when you set up or disconnect connections between the various instruments. If you use a PC software to control the 890 Titrando, you should exit the program before you set up or disconnect the USB connections.

4.4.2 Connecting a USB hub

If you wish to connect more than two devices to the USB connector of the 890 Titrando, you can also use an additional commercially available USB hub (distributor). If you operate the 890 Titrando with the help of the Touch Control, then you should use a USB hub with its own power supply.

Connect the USB hub as follows:

- 1 Switch off the Touch Control and/or exit the PC software.
- 2 With the aid of the 6.2151.020 cable, connect the USB connector of the 890 Titrando (type A) with the USB connector of the hub (type B, see manual for the hub).
- 3 Switch on the Touch Control.

The USB hub is recognized automatically.

4.4.3 Connecting a printer

Printers that are connected to the 890 Titrando with Touch Control must meet the following requirements:

- Printer languages: HP-PCL (PCL 3 to 5, PCL 3GUI), Canon BJI Commands or Epson ESC P/2
- Printer resolution: 300 dots/inch or 360 dots/inch (Epson)
- Paper size: A4 or Letter, single-sheet feed.

Connect the printer as follows:

- 1 Switch off the Touch Control.
- 2 With the aid of the 6.2151.020 cable, connect the USB connector of the 890 Titrando (type A) with the USB connector of the printer (type B, see manual for the printer).
- 3 Switch on the printer first, then the Touch Control.

Balance	Cable
Mettler AE with interface option 011 or 012	6.2125.020 + 6.2125.010 Also from Mettler: ME 42500 hand switch or ME 46278 foot switch
Ohaus Voyager, Explorer, Analytical Plus	Cable AS017-09 from Ohaus
Precisa balances with RS-232-C interface	6.2125.080 + 6.2125.010
Sartorius MP8, MC, LA, Genius, Cubis	6.2134.060
Shimadzu BX, BW	6.2125.080 + 6.2125.010

Operation with Touch Control

Connect the balance as follows:

- 1 Plug in the USB plug of the USB/RS-232 adapter at the USB connector of the 890 Titrando.
- 2 Connect the RS-232 interface of the USB/RS-232 adapter with the RS-232 interface of the balance (see table for cable).
- 3 Switch on the Touch Control.
- 4 Switch on the balance.
- 5 Activate the RS-232 interface of the balance if necessary.
- 6 Configure the RS-232 interface of the USB/RS-232 adapter in the device manager of the Touch Control (see Touch Control manual).

4.4.5 Connecting a PC keyboard (only for operation with Touch Control)

The PC keyboard is used as an aid for text and numerical input.

Connect the PC keyboard as follows:

- 1 Insert the USB plug of the keyboard into one of the USB sockets of the 890 Titrando.



- 2 Switch on the Touch Control.

The keyboard is recognized automatically and entered in the device manager.

- 3 Configure the keyboard in the device manager of the Touch Control (see Touch Control manual).

4.4.6 Connecting a barcode reader

The barcode reader is used as an aid for text and numerical input. You can connect a barcode reader with USB interface.

Operation with Touch Control

Connect the barcode reader as follows:

- 1 Insert the USB plug of the barcode reader into one of the USB sockets of the 890 Titrande.

- 2 Switch on the Touch Control.

The barcode reader is recognized automatically and entered in the device manager.

- 3 Configure the barcode reader in the device manager of the Touch Control (see Touch Control manual).

Settings on the barcode reader:

Program the barcode reader as follows (see also the manual for the barcode reader):

- 1 Switch the barcode reader to programming mode.

- 2 Specify the desired layout for the keyboard (USA, Germany, France, Spain, German-speaking Switzerland).

This setting must match the setting in the device manager (see the Touch Control manual).

- 3 Make sure that the barcode reader is set in such a way that Ctrl characters (ASCII 00 to 31) can be sent.

- 4 Program the barcode reader in such a way that the ASCII character 02 (STX or Ctrl B) is sent as the first character. This first character is normally referred to as the "Preamble" or "Prefix Code".
- 5 Program the barcode reader in such a way that the ASCII character 04 (EOT or Ctrl D) is sent as the last character. This last character is normally referred to as the "Postamble", "Record Suffix" or "Postfix Code".
- 6 Exit the programming mode.

4.5 Connecting sensors

The measuring interface contains the following measuring inputs:

- **Pol.** for a polarizable electrode

4.5.1 Connecting a polarizable electrode

Connect the polarizable electrode as follows:

- 1 Plug the electrode plug into the **Pol.** socket of the 890 Titrando.

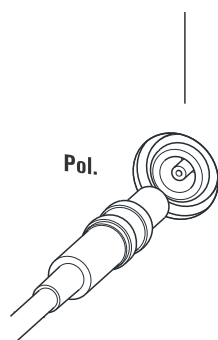


Figure 12 Connecting a polarizable electrode



NOTE

The electrode cable is protected against accidental disconnection of the cable by means of a pull-out protection. If you wish to pull out the plug again, you first need to pull back the outer plug sleeve.

5 Working with the exchange unit

The exchange unit (806 Exchange Unit) has an integrated data chip that makes it possible to store data about the exchange unit and for the reagent. The data is edited in the Touch Control or in the PC software. The start-up of the exchange unit is described in the manual for the exchange unit.

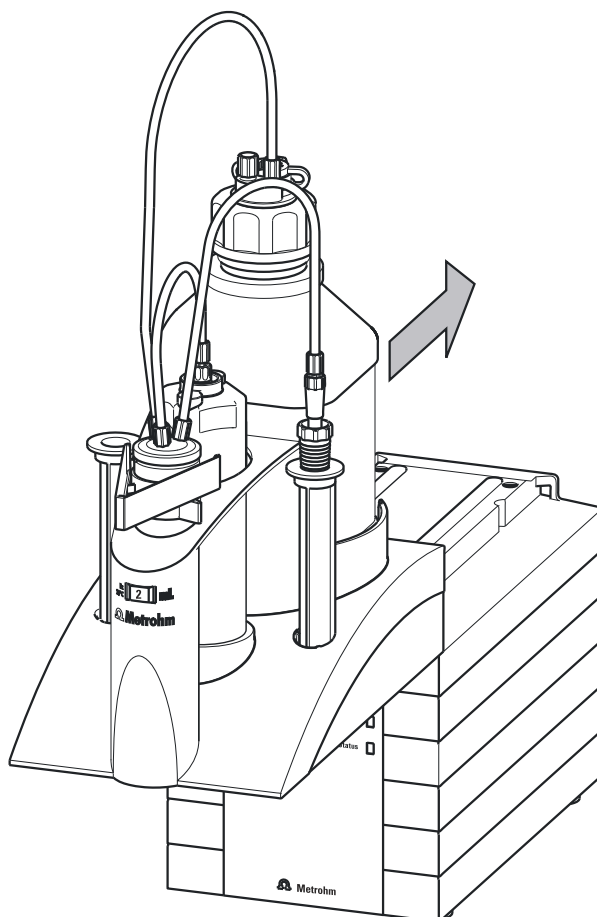


Figure 13 Attaching the exchange unit

Proceed as follows to attach the exchange unit:

- 1 Attach the exchange unit from the front onto the 890 Titrando and push it all the way to the rear.

It must snap in audibly.

If the exchange unit is attached correctly, its initialization is activated by a microswitch which is triggered by the guide bolts of the exchange unit. The exchange unit is recognized and the data is read out automatically from the data chip. The 890 Titrando carries

out an automatic rotation of the flat stopcock and then returns it to the exchange position (dosing position). The **Status** LED will be continuously illuminated once this has been accomplished.

The following table contains a summary of which operating statuses of the internal dosing device are displayed by the **Status** LED:

Status of the "Status" LED	Description
off	No exchange unit is attached.
constant illumination	The exchange unit has been correctly attached and recognized and can now be used for dosing and titration. The flat stopcock is in the exchange position, i.e. the exchange unit can be removed.
slow flashing	<ul style="list-style-type: none"> ▪ The exchange unit is currently being used for dosing or filling. ▪ An intelligent exchange unit has been attached and the data on the integrated data chip is currently either being read out or written.
rapid flashing	Error on the dosing drive, consult the "Troubleshooting" chapter.

7 Troubleshooting

7.1 General

Problem	Cause	Remedy
The "On" LED is not illuminated, even though the instrument is connected to the power supply.	<i>The Touch Control or the computer has not been switched on yet or the plugs are not correctly plugged in.</i>	<ol style="list-style-type: none"> 1. Check the plug connections. 2. Switch on the Touch Control or the computer.
It is not possible to attach the exchange unit.	<i>The flat stopcock of the exchange unit is not in the exchange position.</i>	Move the green switching lever to the right until it stops.
	<i>The piston rod in the exchange unit is not in the correct position.</i>	Move the piston rod into the correct position (see the manual for the exchange unit).
The exchange unit can not be removed and the "Status" LED is flashing slowly.	<i>The exchange unit is currently being used for dosing or filling.</i>	<ul style="list-style-type: none"> ▪ Wait until the procedure has been completed. ▪ Cancel the procedure manually.
Die "Status" LED does not light up, even though an exchange unit is attached.	<i>The exchange unit has not been attached correctly.</i>	Remove the exchange unit and then attach it once again (it must snap in audibly). The LED flashes while data is read out from an intelligent exchange unit (806 Exchange Unit) and lights up constantly if the exchange unit has been recognized correctly.
The "Status" LED flashes rapidly.	<i>The dosing drive is overloaded because the flat stopcock is jammed.</i>	<ol style="list-style-type: none"> 1. Switch off the Touch Control or exit the PC software. 2. Check whether the exchange unit can be removed. <ol style="list-style-type: none"> a. If not, move the green switching lever to the right until it stops. 3. Attempt once more to remove the exchange unit; perform maintenance on it afterwards (see the manual for the exchange unit).
	<i>The dosing drive is overloaded because the piston is jammed.</i>	<ol style="list-style-type: none"> 1. Switch the control instrument off and then back on again.



Problem	Cause	Remedy
		<ol style="list-style-type: none"> Remove and clean the exchange unit (see the chapter in the manual for the exchange unit, "Care and upkeep"). Contact your local Metrohm Service department if necessary.
	<p><i>The data of the exchange unit can no longer be read. The data chip is damaged, either mechanically or by chemical action.</i></p>	<ul style="list-style-type: none"> Contact your local Metrohm Service department to have the data chip replaced. If necessary, remove the data chip yourself so that the exchange unit can continue to be used in the meantime.

7.2 Karl Fischer titration

Problem	Cause	Remedy
The drift is very high during conditioning.	<i>The titration cell is leaking.</i>	<ul style="list-style-type: none"> Check the seals and the septum. Replace if necessary. Replace the molecular sieve.
The drift becomes greater after each titration.	<i>The sample releases water very slowly.</i>	<ul style="list-style-type: none"> Adjust the method. Add solubility promoter. Increase the temperature (possibly using a KF oven). See technical literature.
	<i>A side reaction is taking place.</i>	<ul style="list-style-type: none"> Use special reagents. Adjust the method (increase/decrease the temperature, external extraction). See technical literature.
	<i>The pH value is no longer in the optimum range.</i>	Add buffer (see technical literature).
The titration will not be finished.	<i>The titration cell is leaking.</i>	<ul style="list-style-type: none"> Check the seals and the septum. Replace if necessary. Replace the molecular sieve.
	<i>The minimum increment is too low.</i>	Select the user-defined titration rate and increase the minimum volume increment (see manual/help of the software used).
	<i>The stop criterion is unsuitable.</i>	<p>Adjust the control parameters (see manual/help of the software used):</p> <ul style="list-style-type: none"> Increase the stop drift.

Problem	Cause	Remedy
		<ul style="list-style-type: none"> Select a short delay time.
	<i>See also: The drift becomes greater after each titration.</i>	
The sample is over-titrated.	<i>The increments at the end of the titration are too high.</i>	<ul style="list-style-type: none"> Select the user-defined titration rate and reduce the dosing rate (see manual/help of the software used). The following experiment provides a clue for the optimum dosing rate: During conditioning, display the drift and add sample without starting the titration. Select a value below the highest drift as dosing rate. Stir faster.
	<i>The amount of methanol in the working medium is too low.</i>	<ul style="list-style-type: none"> Replace the working medium. Reduce the amount of solubility promoter, if working with solvent mixtures, see technical literature.
	<i>The electrode may be covered.</i>	Wipe off the electrode with ethanol or a suitable solvent.
The solution becomes darker after each titration.		Replace the working medium.
	<i>The electrode may be covered.</i>	Wipe off the electrode with ethanol or a suitable solvent.
	<i>The electrode has a short circuit.</i>	<ol style="list-style-type: none"> Check the Pt wires. Activate the electrode check.
The endpoint is reached too quickly.	<i>The dosing rate outside the control range is too high.</i>	Select the user-defined titration rate and reduce the dosing rate (see manual/help of the software used).
The titration times with volumetric titration are constantly longer.	<i>The buffer capacity of the solvent may be exhausted with two-component reagents.</i>	Replace the working medium.



8 Appendix

8.1 Remote interface

The 6.2148.010 Remote Box allows devices to be controlled which cannot be connected directly to the MSB interface of the Titrande.

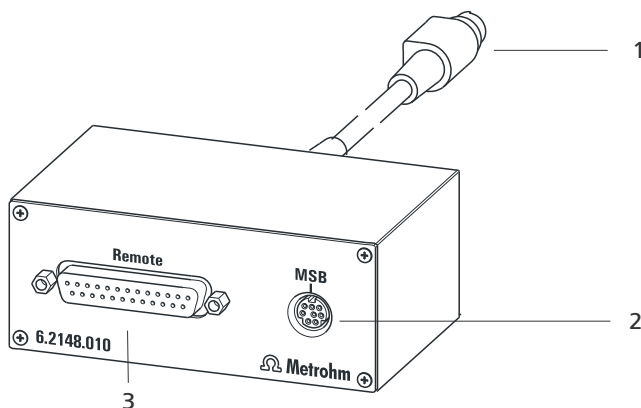


Figure 14 Connectors of the Remote Box

1 Cable

For connecting to the Titrande.

2 MSB connector

Metrohm Serial Bus. For connecting external dosing devices or stirrers.

3 Remote connector

For connecting instruments with a remote interface.

8.1.1 Pin assignment of the remote interface

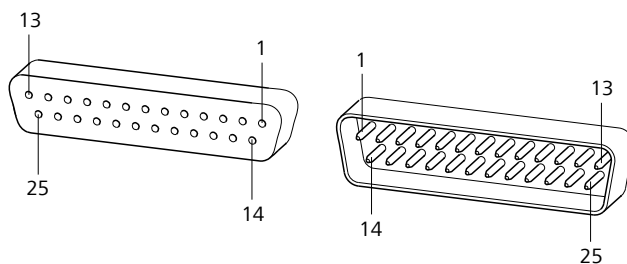
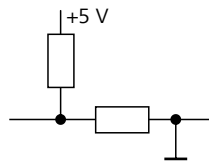


Figure 15 Pin assignment of remote socket and remote plug

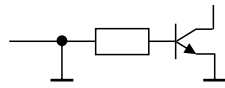
The above figure of the pin assignment applies for all Metrohm instruments with 25-pin D-Sub remote connector.

Inputs

approx. 50 k Ω Pull-up

$t_p > 20$ ms

active = low, inactive = high

Outputs

Open Collector

$t_p > 200$ ms

active = low, inactive = high

$I_C = 20$ mA, $V_{CE0} = 40$ V

+5 V: maximum load = 20 mA

The following tables offer information concerning the assignment of the individual pins and their function:

Table 1 Inputs and outputs of the remote interface

Assignment	Pin No.	Function*
Input 0	21	Start
Input 1	9	Stop
Input 2	22	
Input 3	10	Quit
Input 4	23	–
Input 5	11	
Input 6	24	
Input 7	12	
Output 0	5	Ready
Output 1	18	Conditioning OK
Output 2	4	Determination
Output 3	17	EOD
Output 4	3	
Output 5	16	Error
Output 6	1	
Output 7	2	Warning



Assignment	Pin No.	Function*
Output 8	6	
Output 9	7	
Output 10	8	
Output 11	13	
Output 12	19	
Output 13	20	
0 volts / GND	14	
+5 volts	15	
0 volts / GND	25	

* Signal activated only for operation with Touch Control.

Table 2 Explanation of the individual functions

Function	Explanation
Start	The current method is started at the time of activation. $t_{\text{pulse}} > 100 \text{ ms}$
Stop	The current method is canceled (Stop) at the time of activation. $t_{\text{pulse}} > 100 \text{ ms}$
Quit	The current command in the determination run will be canceled at the time of activation. $t_{\text{pulse}} > 100 \text{ ms}$
Ready	The instrument is ready to receive a start signal.
Conditioning OK	The line is set when Conditioning with SET titration and KFT titration is at OK. The line remains set until the determination is started with [START] .
Determination	The instrument performs a data-generating determination.
EOD	End of Determination. Pulse ($t_{\text{pulse}} = 200 \text{ ms}$) after a determination or after a buffer/standard solution during calibration using a Sample Processor.
Error	The line is set for error message display.

Function	Explanation
Warning	The line is set for warning message display.



9 Technical specifications

9.1 Measuring interface

The 890 Titrande has one measuring input for polarizable electrodes.

The measuring cycle is 100 ms for all measuring modes.

9.1.1 Polarizer

One measuring input (**Pol.**) for polarizable electrodes.

<i>Measuring mode</i> <i>I_{pol}</i>	Determination with adjustable polarization current
<i>Polarization current</i>	–122.5 to +122.5 μA (increment: 0.5 μA) –125.0 to +125.0 μA : non-guaranteed values, dependent on reference voltage +2.5 V
<i>Measuring range</i>	–1,200 to +1,200 mV
<i>Resolution</i>	0.1 mV
<i>Measuring accuracy</i>	± 0.2 mV (± 1 digit, without sensor error, under reference conditions)
<i>Measuring mode</i> <i>U_{pol}</i>	Determination with adjustable polarization voltage
<i>Polarization voltage</i>	–1,225 to +1,225 mV (increment: 25 mV) –1,250 to +1,250 mV: non-guaranteed values, dependent on reference voltage +2.5 V
<i>Measuring range</i>	–120 to +120 μA
<i>Resolution</i>	0.1 μA

9.2 Internal dosing device

<i>Cylinder volume of the exchange unit</i>	1 mL, 5 mL, 10 mL, 20 mL or 50 mL
<i>Resolution</i>	20,000 steps per cylinder volume

9.3 Power connection

<i>Supply voltage</i>	100–240 V ($\pm 10\%$)
<i>Frequency</i>	50–60 Hz ($\pm 3\%$)
<i>Power consumption</i>	Maximum 45 W
<i>Fuse</i>	Electronic overload protection

9.4 Ambient conditions

Automatic interior temperature monitoring

Nominal function range +5 to +45 °C
at max. 80% relative humidity, non-condensing

Storage +5 to +45 °C
at max. 80% relative humidity, non-condensing

Altitude / Pressure range max. 2,000 m.a.s.l. sea level / min. 780 mbar

Overvoltage category II

Pollution degree 2



9.5 Reference conditions

<i>Ambient temperature</i>	+25 °C (±3 °C)
<i>Relative humidity</i>	≤ 60%
<i>Device status</i>	Device in operation at least 30 min
<i>Validity of the data</i>	After adjustment

9.6 Dimensions

<i>Width</i>	142 mm
<i>Height</i>	227 mm
<i>Depth</i>	231 mm
<i>Weight</i>	3.2 kg (without accessories)
<i>Material (housing)</i>	Polybutylene terephthalate (PBT)

9.7 Interfaces

USB connectors

USB ports 2 USB downstream ports (type A sockets), 500 mA each, for connecting peripheral devices such as printers, keyboards, barcode readers or RS-232/USB boxes (Metrohm order no. 6.2148.020).

"Controller" connector

Controller port USB upstream port with auxiliary power supply (Mini DIN socket) for connecting Touch Control or computer for controlling the 890 Titrande.

Touch Control With integrated Touch Control cable.

Computer With 6.2151.000 cable.

MSB connectors (Metrohm Serial Bus)

Dosing device Connection of a maximum of 3 external dosing devices, models Dosi-mat or Dosino (MSB 2 to MSB 4).

Stirrer Connection of a maximum of 4 stirrers.
Stirrer control: Switching on/off manually or coordinated with the titra-tion sequence.
Speed in 15 steps and shift direction can be selected.



Remote Box

Connection of a maximum of 4 Remote Boxes. Remote Boxes can be used to actuate and monitor external devices.

