

850 Professional IC



Anion MSM-HC LP Gradient–2.850.2250

Manual

8.850.8059EN / 2019-11-29



Metrohm AG
CH-9100 Herisau
Switzerland
Phone +41 71 353 85 85
Fax +41 71 353 89 01
info@metrohm.com
www.metrohm.com

850 Professional IC

Anion MSM-HC LP Gradient- 2.850.2250

Manual

Technical Communication
Metrohm AG
CH-9100 Herisau
techcom@metrohm.com

This documentation is protected by copyright. All rights reserved.

This documentation has been prepared with great care. However, errors can never be entirely ruled out. Please send comments regarding possible errors to the address above.

Table of contents

1	Introduction	1
1.1	Instrument description	1
1.2	Intended use	3
1.3	About the documentation	3
1.3.1	Symbols and conventions	3
1.4	Safety instructions	4
1.4.1	General notes on safety	4
1.4.2	Electrical safety	4
1.4.3	Tubing and capillary connections	5
1.4.4	Flammable solvents and chemicals	6
1.4.5	Recycling and disposal	6
2	Overview of the instrument	7
2.1	Front	7
2.2	Rear	9
3	Installation	11
3.1	About this chapter	11
3.2	Initial installation	11
3.3	Installation of the low pressure gradient	14
3.4	Installation diagram	15
3.5	Setting up the instrument	17
3.5.1	Packaging	17
3.5.2	Checks	17
3.5.3	Location	17
3.6	Capillary connections in the IC system	17
3.7	Rear of the instrument	20
3.7.1	Rollers and handle	20
3.7.2	Positioning and connecting the detector	23
3.7.3	Transport locking screws	23
3.7.4	Leak sensor	23
3.7.5	Drainage tubings	24
3.8	Capillary and cable feed-throughs	26
3.9	Eluent	29
3.9.1	Connecting the eluent bottle	29
3.10	Eluent degasser	33
3.11	Low pressure gradient	35



3.12	High pressure pump	39
3.12.1	Capillary connections high pressure pump/purge valve	39
3.12.2	Connecting low pressure gradient	40
3.12.3	Deaerating the high pressure pump	41
3.13	Inline filter	43
3.14	Pulsation absorber	44
3.15	Sample degasser	45
3.16	Injection valve	47
3.16.1	Connecting the injection valve	47
3.16.2	Mode of operation of the injection valve	48
3.16.3	Selecting the sample loop	49
3.17	Column thermostat	49
3.18	High Capacity Metrohm Suppressor Module (MSM-HC)	52
3.18.1	General information on the MSM-HC	52
3.18.2	Connecting the MSM-HC	52
3.19	Peristaltic pump	55
3.19.1	Principle of the peristaltic pump	55
3.19.2	Installing the peristaltic pump	56
3.20	Connecting the instrument to a computer	60
3.21	Connecting the instrument to the power grid	60
3.22	Guard column	61
3.23	Separation column	63
4	Start-up	65
4.1	Initial start-up	65
4.2	Conditioning	66
5	Operation and maintenance	68
5.1	General notes	68
5.1.1	Care	68
5.1.2	Maintenance by Metrohm Service	68
5.1.3	Operation	69
5.1.4	Shutting down	69
5.2	Capillary connections	69
5.2.1	Operation	69
5.3	Door	70
5.4	Eluent	70
5.4.1	Production	70
5.4.2	Operation	71

5.5	High pressure pump	71
5.5.1	Protection	71
5.5.2	Maintenance	72
5.6	Inline filter	82
5.6.1	Maintenance	82
5.7	Inline sample preparation	84
5.8	Rinsing the sample path	84
5.9	Sample degasser	86
5.9.1	Operation	86
5.10	Injection valve	86
5.10.1	Protection	86
5.11	High Capacity Metrohm Suppressor Module (MSM-HC)	86
5.11.1	Protection	86
5.11.2	Operation	86
5.11.3	Maintenance	87
5.12	Peristaltic pump	92
5.12.1	Operation	92
5.12.2	Maintenance	93
5.13	Separation column	95
5.13.1	Separating efficiency	95
5.13.2	Protection	95
5.13.3	Storage	96
5.13.4	Regeneration	96
6	Troubleshooting	97
6.1	Problems and their solutions	97
7	Technical specifications	101
7.1	Reference conditions	101
7.2	Device	101
7.3	Leak sensor	101
7.4	Ambient conditions	101
7.5	Housing	102
7.6	Eluent degasser	102
7.7	Low pressure gradient	102
7.8	High pressure pump	103
7.9	Sample degasser	104
7.10	Injection valve	104
7.11	Column thermostat	104



7.12	High Capacity Metrohm Suppressor Module (MSM-HC)	105
7.13	Peristaltic pump	105
7.14	Power connection	105
7.15	Interfaces	106
7.16	Weight	106
8	Accessories	107
	Index	108

Table of figures

Figure 1	Front 850 Professional IC Anion MSM-HC LP Gradient	7
Figure 2	Rear 850 Professional IC Anion MSM-HC LP Gradient	9
Figure 3	Installation diagram	16
Figure 4	Connection of capillaries with pressure screws	18
Figure 5	Rollers and handle	21
Figure 6	Handle as MPak holder	22
Figure 7	Connection of the leak sensor on the rear of the instrument	24
Figure 8	Drainage tubings	25
Figure 9	Capillary feed-throughs on the door	27
Figure 10	Capillary feed-throughs base tray/flask holder	28
Figure 11	Installing the eluent bottle cap	30
Figure 12	Mounting the aspiration filter	30
Figure 13	Installing the tubing weighting and aspiration filter	31
Figure 14	Eluent aspiration tubing fully equipped	31
Figure 15	Eluent bottle – connected	32
Figure 16	Eluent degasser	34
Figure 17	Low pressure gradient	36
Figure 18	Connecting mixing coil for low pressure gradients	37
Figure 19	Connecting eluent connection tubings	38
Figure 20	Capillary connections high pressure pump/purge valve	39
Figure 21	Mixing coil for low pressure gradients connection	41
Figure 22	Deaerating the high pressure pump	42
Figure 23	Connecting the inline filter	44
Figure 24	Pulsation absorber – Connection	45
Figure 25	Sample degasser	46
Figure 26	Injection valve – connected	47
Figure 27	Injection valve – Positions	48
Figure 28	Column thermostat	50
Figure 29	MSM-HC – Connectors	53
Figure 30	Peristaltic pump	55
Figure 31	Installing the pump tubing	56
Figure 32	Install pump tubing connection with filter	57
Figure 33	Install pump tubing connection without filter	58
Figure 34	Removing piston	73
Figure 35	Components of the piston cartridge	74
Figure 36	Tool for piston seal 6.2617.010	75
Figure 37	Removing the piston seal	76
Figure 38	Inserting the piston seal into the tool	76
Figure 39	Inserting the piston seal into the pump head	77
Figure 40	Removing valves	78
Figure 41	Dismantling valve	79
Figure 42	Components of the inlet valve and outlet valve	80
Figure 43	Change filters (of the inline filter)	82
Figure 44	MSM-HC – Components	89
Figure 45	Pump tubing connection – Changing the filter	94

1 Introduction

1.1 Instrument description

The instrument **850 Professional IC Anion MSM-HC LP Gradient** (2.850.2250) is one of the model versions of the Professional IC line of instruments manufactured by the Metrohm Company. The Professional IC line of instruments is distinguished by:

- the **intelligence** of its components, which are able to monitor and optimize all functions and to provide documentation according to FDA requirements.
- its **compactness**.
- its **flexibility**. A suitable model version exists for every application. Individual instruments can be converted, expanded or modified to create a different instrument as needed.
- its **transparency**. All components are easily accessible and arranged in a clear manner.
- its **safety**. Chemicals and electronics are separated and a leak sensor is integrated in the wet end.
- its **environmental compatibility**.
- **low noise emission**.

The instrument is operated with **MagIC Net** software. It is connected via a USB connection to a PC on which MagIC Net is installed. The software automatically recognizes the instrument and checks its functional readiness. MagIC Net controls and monitors the instrument, evaluates the measured data and administers it in a database. The operation of MagIC Net is described in the online help or in the tutorial for MagIC Net.

The low pressure mixing valve and two additional eluent degassers in the lower area of the instrument are used for the controlled mixing of up to 3 eluents.

The instrument contains the following components:

Eluent degasser

The eluent degasser removes gas bubbles and dissolved gases from the eluent. For degassing, the eluent flows into a vacuum chamber through a special fluoropolymer capillary.

Low pressure gradient

Up to three different eluents can be mixed with the low pressure gradient. The mixing takes place in the low pressure zone, i.e. before the eluent is conveyed to the high pressure pump.



High pressure pump

The intelligent and low pulsation high pressure pump pumps the eluent through the system. It is equipped with a chip on which its technical specifications and "life history" (operating hours, service data, ...) are saved.

Inline filter

Inline filters protect the separation column securely against possible contamination from the eluent. Inline filters can however also just as well be used for the purpose of protecting other sensitive components against contaminations in the solutions used. The filter platelets with a pore size of 2 µm can be replaced quickly and easily. They remove particles like e. g. bacteria and algae from the solutions.

Pulsation absorber

The pulsation absorber protects the separation column from damage caused by pressure fluctuations when switching the injection valve, and reduces interfering pulsations during highly sensitive measurements.

Sample degasser

The sample degasser removes gas bubbles and dissolved gases from the sample. For degassing, the sample flows into a vacuum chamber through a special fluoropolymer capillary.

Injection valve

The injection valve connects the eluent and sample path through rapid and precise valve switchover. A precisely measured amount of sample solution is injected and rinsed with eluent onto the separation column.

Column thermostat

The column thermostat controls the temperature of the column and eluent channel and thus ensures stable measuring conditions. It provides space for 2 separation columns.

High Capacity Metrohm Suppressor Module (MSM-HC)

The MSM-HC is used for chemical suppression with concentrated eluents during anion analysis. It is pressure-stable, robust and resistant to solvents.

Peristaltic pump

The Peristaltic pump is used for pumping sample and auxiliary solutions. It can rotate in both directions.

Separation column

The intelligent separation column is the heart of the ion chromatographic analysis. It separates the different components corresponding to their interactions with the column. Metrohm separation columns are equipped

with a chip on which their technical specifications and their history (first use / setting up, operating hours, injections, ...) are saved.

1.2 Intended use

The **850 Professional IC Anion MSM-HC LP Gradient** can be used for the ion chromatographic determination of anions with chemical suppression with the MSM-HC, in cases where the complexity of the separation problem requires the use of gradients.

The low pressure mixing valve and two additional eluent degassers in the lower area of the instrument are used for the controlled mixing of up to three eluents.

If required, the instrument can also be used as a normal isocratic anion system with chemical suppression or for the determination of cations and anions without suppression.

This instrument is suitable for processing chemicals and flammable samples. The usage of the 850 Professional IC Anion MSM-HC LP Gradient therefore requires that the user has basic knowledge and experience in the handling of toxic and caustic substances. Knowledge with respect to the application of the fire prevention measures prescribed for laboratories is also mandatory.

1.3 About the documentation



CAUTION







Please read through this documentation carefully before putting the instrument into operation. The documentation contains information and warnings which the user must follow in order to ensure safe operation of the instrument.

1.3.1 Symbols and conventions

The following symbols and styles are used in this documentation:

(5- 12)	<p>Cross-reference to figure legend</p> <p>The first number refers to the figure number, the second to the instrument part in the figure.</p>
1	<p>Instruction step</p> <p>Carry out these steps in the sequence shown.</p>



	<p>Warning</p> <p>This symbol draws attention to a possible life hazard or risk of injury.</p>
	<p>Warning</p> <p>This symbol draws attention to a possible hazard due to electrical current.</p>
	<p>Warning</p> <p>This symbol draws attention to a possible hazard due to heat or hot instrument parts.</p>
	<p>Warning</p> <p>This symbol draws attention to a possible biological hazard.</p>
	<p>Caution</p> <p>This symbol draws attention to a possible damage of instruments or instrument parts.</p>
	<p>Note</p> <p>This symbol marks additional information and tips.</p>

1.4 Safety instructions

1.4.1 General notes on safety



WARNING

Operate this instrument only according to the information contained in this documentation.

This instrument left the factory in a flawless state in terms of technical safety. To maintain this state and ensure non-hazardous operation of the instrument, the following instructions must be observed carefully.

1.4.2 Electrical safety

The electrical safety when working with the instrument is ensured as part of the international standard IEC 61010.



WARNING

Only personnel qualified by Metrohm are authorized to carry out service work on electronic components.

**WARNING**

Never open the housing of the instrument. The instrument could be damaged by this. There is also a risk of serious injury if live components are touched.

There are no parts inside the housing which can be serviced or replaced by the user.

Supply voltage**WARNING**

An incorrect supply voltage can damage the instrument.

Only operate this instrument with a supply voltage specified for it (see rear panel of the instrument).

Protection against electrostatic charges**WARNING**

Electronic components are sensitive to electrostatic charges and can be destroyed by discharges.

Do not fail to pull the power cord out of the power socket before you set up or disconnect electrical plug connections at the rear of the instrument.

1.4.3 Tubing and capillary connections**CAUTION**

Leaks in tubing and capillary connections are a safety risk. Tighten all connections well by hand. Avoid applying excessive force to tubing connections. Damaged tubing ends lead to leakage. Appropriate tools can be used to loosen connections.

Check the connections regularly for leakage. If the instrument is used mainly in unattended operation, then weekly inspections are mandatory.



1.4.4 Flammable solvents and chemicals



WARNING

All relevant safety measures are to be observed when working with flammable solvents and chemicals.

- Set up the instrument in a well-ventilated location (e.g. fume cupboard).
- Keep all sources of flame far from the workplace.
- Clean up spilled liquids and solids immediately.
- Follow the safety instructions of the chemical manufacturer.

1.4.5 Recycling and disposal



This product is covered by European Directive 2012/19/EU, WEEE – Waste Electrical and Electronic Equipment.

The correct disposal of your old instrument will help to prevent negative effects on the environment and public health.

More details about the disposal of your old instrument can be obtained from your local authorities, from waste disposal companies or from your local dealer.

2 Overview of the instrument

2.1 Front

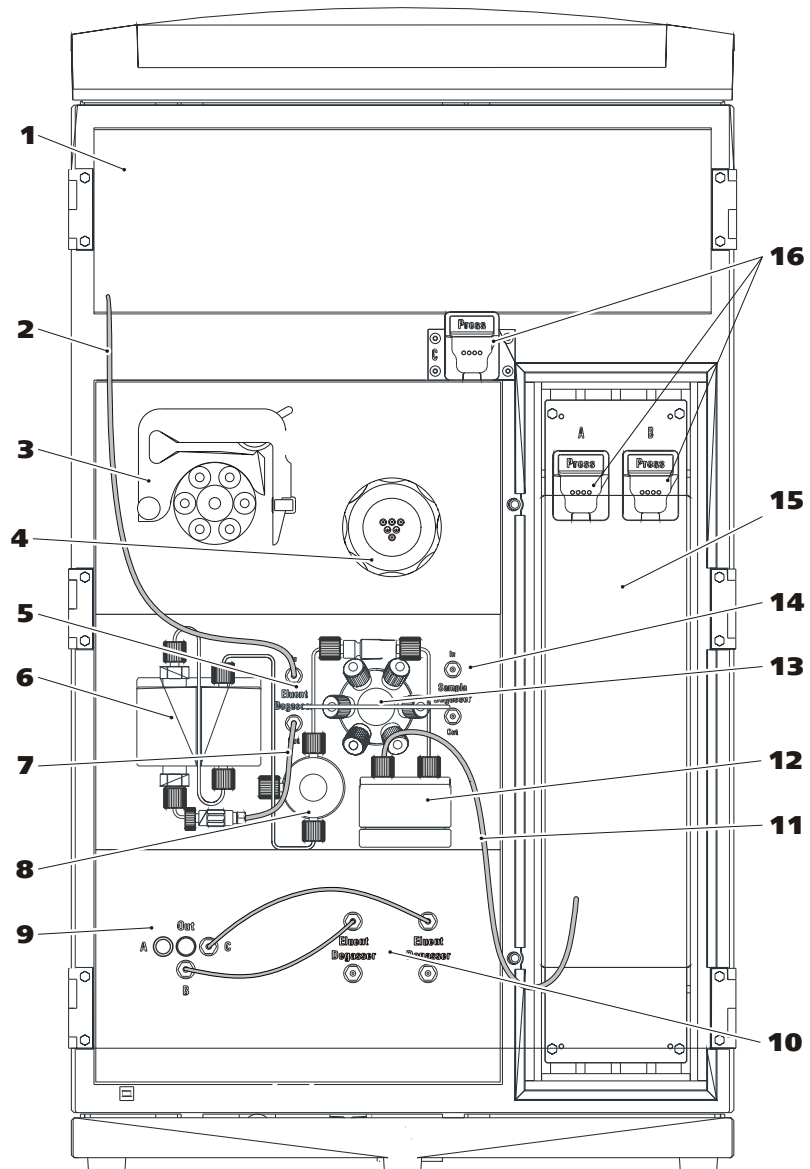


Figure 1 Front 850 Professional IC Anion MSM-HC LP Gradient

1 Detector chamber

Space for the detector. (The detector must be ordered separately).

3 Peristaltic pump

See Chapter 3.19, Page 55.

2 Eluent aspiration tubing 6.1834.080

4 MSM-HC

See Chapter 3.18, Page 52.



5	Eluent degasser <i>See Chapter 3.10, Page 33.</i>	6	High pressure pump <i>See Chapter 3.12, Page 39.</i>
7	connection tubing Eluent degasser – high pressure pump, pre installed.	8	Purge valve For deaerating the high pressure pump <i>See Chapter 3.12.3, Page 41.</i>
9	Mixing valve <i>See Chapter 3.11, Page 35.</i>	10	Eluent degasser For two additional eluents (<i>see chapter 3.10, page 33</i>).
11	Column inlet capillary 6.1831.150	12	Pulsation damper <i>See Chapter 3.14, Page 44.</i>
13	Injection valve <i>See Chapter 3.16, Page 47.</i>	14	Sample degasser <i>See Chapter 3.15, Page 45.</i> Use optional.
15	Column thermostat <i>See Chapter 3.17, Page 49.</i>	16	Column holder For two separation columns (<i>see chapter 3.23, page 63</i>) in the column thermostat and one outside the column thermostat.

2.2 Rear

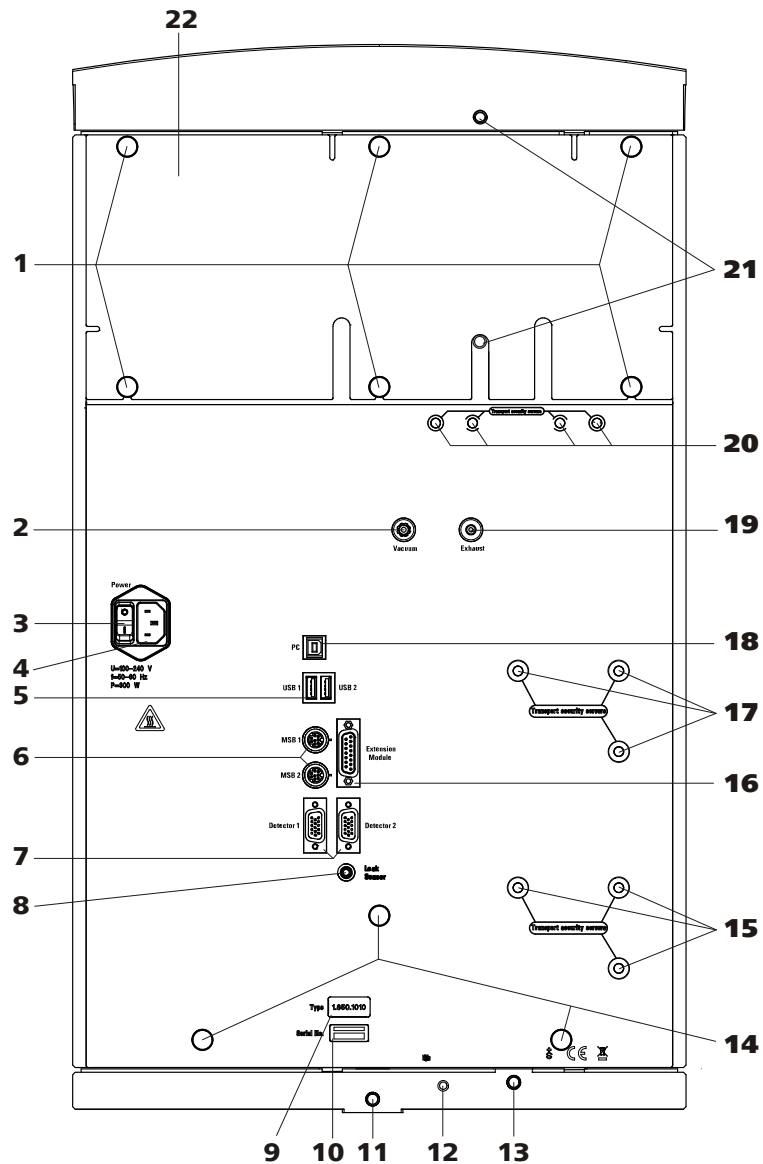


Figure 2 Rear 850 Professional IC Anion MSM-HC LP Gradient

1 Knurled screws
For fastening the rear panel (2-**22**) and handle (5-**2**).

3 Mains switch
For switching the instrument on and off.
I = ON
0 = OFF

2 Vacuum connection
For connecting further degassing chambers in extension modules.
Labeled with *Vacuum*.

4 Mains connection socket
For connecting the mains cable.

**5 USB connectors**

2 USB connectors (labeled with *USB 1* and *USB 2*).

7 Detector connectors

2 detector connectors (labeled with *Detector 1* and *Detector 2* for connecting Metrohm detectors).

9 Instrument type**11 Drainage tubing connection**

For connecting a drainage tubing 6.1816.020 (8-8).

13 Drainage tubing connection

For connecting a drainage tubing 6.1816.020 (8-9).

15 Transport locking screws

For securing the lower high pressure pump when transporting the instrument (only necessary for instruments with two high pressure pumps).

17 Transport locking screws

For securing the high pressure pump when transporting the instrument.

19 Waste air opening

For extracting the air from the vacuum chamber.
Labeled with *Exhaust*.

21 Drainage tubing connection

For connecting a drainage tubing 6.1816.020 (8-1).

6 MSB connectors

2 MSB connectors (labeled with *MSB 1* and *MSB 2*) for connecting MSB devices

Caution: The 850 **must** be switched off when connecting a device.

MSB = Metrohm Serial Bus.

8 Leak sensor connection socket

For connecting the leak sensor connector plug (7-2).

10 Serial number**12 Leak sensor connection cable**

For connecting the leak sensor.

14 Knurled screws

For fastening the rollers.

16 Extension module connection

For connecting an extension module (labeled with *Extension Module*).

18 PC connection socket

For connecting the instrument to the computer with the USB cable 6.2151.020.

20 Transport locking screws

For securing the vacuum pump when transporting the instrument.

22 Rear panel

Removable. Access to the detector chamber.

**CAUTION**

When connecting an instrument to the MSB connector (2-6) you **must** switch off the 850 Professional IC.

3 Installation

3.1 About this chapter

The *Installation* chapter contains

- this overview
- a brief set of instructions for the initial installation of the 850 Professional IC Anion MSM-HC LP Gradient (*see chapter 3.2, page 11*) as an isocratic system. At each step you will find cross-references to more detailed installation instructions for individual components, should you require such aids.
- a brief set of instructions for the initial installation of the low pressure gradient (*see chapter 3.3, page 14*). At each step you will find cross-references to more detailed installation instructions for individual components, should you require such aids.
- an installation diagram (*see chapter 3.4, page 15*), showing a completely installed instrument.
- several chapters (*Chapter 3.5, page 17 and following*) with detailed installation instructions for all components, including those that are already installed at the time the instrument is delivered.

3.2 Initial installation



NOTICE

A large number of the capillary connections are already connected at the time the instrument is delivered.

The 850 Professional IC Anion MSM-HC LP Gradient is supplied the same way as an isocratic instrument, i.e. it can be put into operation with minimum effort for usage with only one eluent. Carry out the following steps:

Installing 850 Professional IC Anion MSM-HC LP Gradient

1 Setting up the instrument

See Chapter 3.5, Page 17.

2 Installations on the rear of the instrument

- Remove handle and rollers (*see chapter 3.7.1, page 20*).



- Place the detector in the instrument and connect it (*see manual of the detector*).
- Remove transport locking screws (*see "Removing transport locking screws", page 23*).
- Connect the leak sensor (*see "Connecting the leak sensor", page 23*).
- Connect drainage tubings (*see "Installing drainage tubings", page 26*).

3 Installing the eluent path

- Equip the eluent aspiration tubing and connect with the eluent bottle (*see chapter 3.9.1, page 29*).
- Instead of the column, connect the 6.2744.040 coupling with a 6.2744.070 short pressure screw at the end of the pre-installed column inlet capillary.
- Use a 6.2744.070 pressure screw to connect the capillary of the MSM-HC labeled with *in* to the other end of the 6.2744.040 coupling.
- Connect the detector inlet capillary and the capillary of the MSM-HC labeled with *out* to one another using one 6.2744.040 coupling and two 6.2744.070 short pressure screws (*see manual of the detector*).

4 Installing the sample path



NOTICE

The sample degasser does not have to be connected. We recommend the usage of the sample degasser only if the sample matrix requires it.

- Guide the 6.1803.040 sample aspiration capillary connected to the sample input of the injection valve out of the instrument through a capillary feed-through and connect it with the Sample Processor or
- *If the sample degasser is used* connect the sample aspiration capillary with a 6.2744.090 long pressure screw to the input of the sample degasser (*see chapter 3.15, page 45*).
Connect a part of the 6.1803.040 sample aspirating capillary with a 6.2744.090 long pressure screw to the input of the sample degasser. Guide the other end out of the instrument through a capillary feed-through and connect it to the Sample Processor.

5 Installing the peristaltic pump

See Chapter 3.19.2, Page 56

- Install pump tubings.
- Connect aspirating capillaries for the regeneration solution and the rinsing solution.

6 Installing the MSM-HC

- Connect the MSM-HC capillary labeled with *regenerant* to the outlet of the pump tubing for the regeneration solution.
- Connect the MSM-HC capillary labeled with *rinsing solution* to the outlet of the pump tubing for the rinsing solution.
- Guide the two MSM-HC capillaries labeled with *Waste reg.* and *Waste rins.*, respectively, through an instrument's capillary feed-through to the waste container and fix them there.

7 Connecting the instrument

- Connect the instrument to the PC .
- Connect instrument to mains supply .

8 Initial start-up

See Chapter 4.1, Page 65

- Switch on the PC and start MagIC Net.
- Switch on and prepare the instrument.
- Deaerate the high pressure pump.
- Rinse the instrument without column(s).

9 Connecting the columns

- Remove the 6.2744.040 coupling between the column inlet capillary and the MSM-HC capillary labeled with *in*.
- Connect guard column (optional) (see chapter 3.22, page 61)
 - Fasten the guard column to the end of the column inlet capillary according to the specifications contained in the leaflet accompanying the guard column.
 - Rinse guard column.



- Connect the separation column (*see chapter 3.23, page 63*)
 - Fasten the inlet of the separation column either to the end of the column inlet capillary or to the guard column (if used) according to the specifications contained in the leaflet accompanying the column.
 - Rinse separation column.
 - Fasten the MSM-HC capillary labeled with *in* with a 6.2744.070 PEEK pressure screw at the output of the separation column.

10 Conditioning the instrument

See Chapter 4.1, Page 65

The instrument is now ready for measuring samples.

3.3 Installation of the low pressure gradient

The installation of the 850 Professional IC Anion MSM-HC LP Gradient must be adjusted slightly in order to be operated as a low pressure gradient system. The following installation instructions list the necessary work steps in brief. At each step you will find cross-references to more detailed installation instructions for individual components, should you require such aids.

Installing the low pressure gradient

1 Expanding the instrument to low pressure gradient

See Chapter 3.11, Page 35

- Loosen the 6.1834.090 connection tubing (**1-7**) from the output of the eluent degasser.
- Dismount the coupling (**20-9**) and pump head inlet capillary (**20-7**) of the high pressure pump.
- Connect the 6.2758.020 mixing coil for low pressure gradients with its short pressure screw directly to the input of the high pressure pump, (*see chapter 3.12.2, page 40*) and with its longer pressure screw to the output of the mixing valve (*see "Connecting mixing coil for low pressure gradients", page 37*).
- Screw on the 6.1834.120 connection tubing to the output of the eluent degasser (*see "Connecting the eluent degasser", page 34*) and connect with input A of the mixing valve (*see "Connecting connection tubings", page 38*).

- Equip two 6.1834.080 eluent aspiration tubings (see "Assembling eluent aspiration tubing", page 29) and screw them tight to the eluent degasser inputs B and C in the low pressure gradient (see "Connecting the eluent degasser", page 34).

3.4 Installation diagram

Figure Installation diagram3 shows the capillary connections with the application of a low pressure gradient with three solutions.

The arrangement of the modules in the diagram corresponds to the front view of the instrument. Liquid containers (eluent bottle, sample vessel, waste container, auxiliary solutions container) and guard column (see *Chapter 3.22, Page 61*) are not shown in the diagram.

Most of the capillaries are already pre-installed at the time the instrument is delivered. Capillaries on which nothing needs to be done at the time of initial installation are not numbered in the diagram.

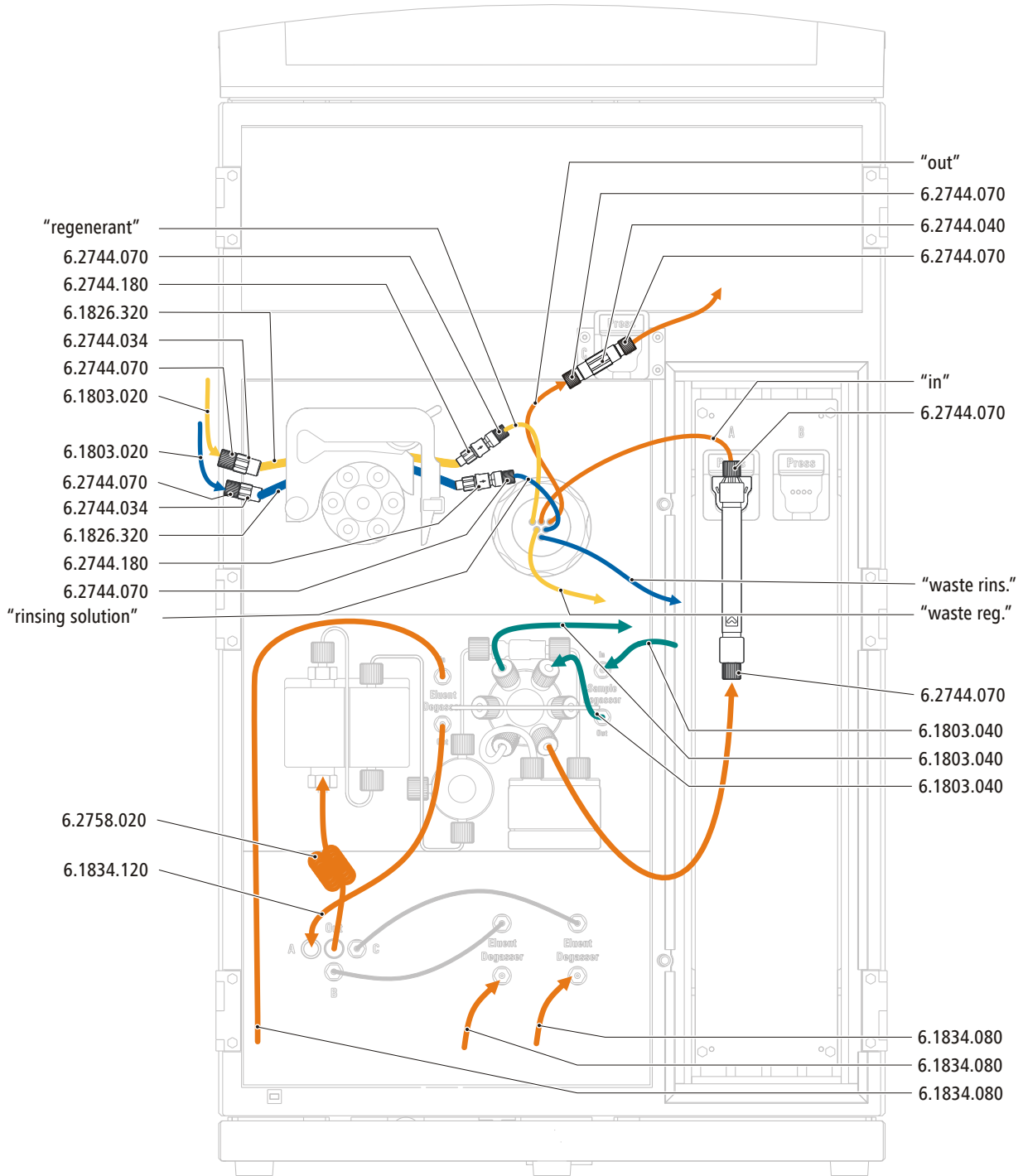


Figure 3 Installation diagram

You will find detailed descriptions of the individual installation steps in the following chapters.

3.5 Setting up the instrument

3.5.1 Packaging

The instrument is supplied in protective packaging together with the separately packed accessories. Keep this packaging, as only this ensures safe transportation of the instrument.

3.5.2 Checks

Immediately after receipt, check whether the shipment has arrived complete and without damage by comparing it with the delivery note.

3.5.3 Location

The instrument has been developed for operation indoors and may not be used in explosive environments.

Place the instrument in a location of the laboratory which is suitable for operation and free of vibrations and which provides protection against corrosive atmosphere and contamination by chemicals.

The instrument should be protected against excessive temperature fluctuations and direct sunlight.

3.6 Capillary connections in the IC system

This chapter contains general information concerning the capillary connections in the IC instruments and systems.

Generally speaking, capillary connections between two components of an IC system are made up of one connection capillary and two pressure screws with which the capillary is connected to the respective components.

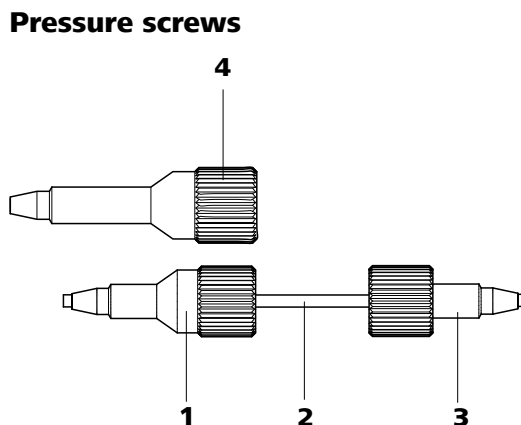


Figure 4 Connection of capillaries with pressure screws

1 PEEK pressure screw (6.2744.014) Use on the injection valve.	2 Connection capillary
3 PEEK pressure screw, short (6.2744.070) For use on the high pressure pump, the purge valve, the inline filter, the pulsation absorber, the guard column and the separation column.	4 PEEK pressure screw, long (6.2744.090) Use on special components. Is not used on all instruments.



NOTICE

In order to keep the dead volume as low as possible, capillary connections should generally be as short as possible.



NOTICE

For an improved overview, capillary and tubing connections can be bundled with the 6.1815.010 spiral band.

Connection capillaries

PEEK capillaries and PTFE capillaries are used in the IC system.

PEEK capillaries (polyetheretherketone)

PEEK capillaries are temperature-resistant up to 100°C, stable under pressure up to 400 bar, flexible, chemically inert and exhibit an extremely smooth surface. They can be readily cut down to the desired length with the 6.2621.080 capillary cutter.

Usage:

- PEEK capillaries (6.1831.010) with an internal diameter of 0.25 mm for the entire high-pressure section.

- PEEK capillaries (6.1831.030) with an internal diameter of 0.75 mm for sample handling in the ultratrace range.



CAUTION

For the capillary connections between the injection valve and detector, PEEK capillaries with an internal diameter of 0.25 mm must be used. These are already connected to a newly delivered instrument.

PTFE capillaries (polytetrafluoroethylene)

PTFE capillaries are transparent and enable visual tracing of the liquids to be pumped. They are chemically inert, flexible and temperature-resistant up to 80°C.

Usage:

PTFE capillaries (6.1803.0x0) are used for the low-pressure section.

- PTFE capillaries with internal diameter of 0.5 mm for sample handling.
- PTFE capillaries with internal diameter of 0.97 mm for sample handling as well as for rinsing solutions (they do not have to be in the scope of delivery of the instrument).

Capillary connections

In order to achieve optimum analysis results, capillary connections in an IC system must be absolutely tight and free of dead volume. Dead volume occurs if two capillary ends connected to each other do not fit exactly, thus allowing liquid to escape. There are two possible reasons for this:

- The capillaries do not have exactly cut edges.
- The two capillary ends do not completely meet.

One prerequisite for dead volume free capillary connection is, that both capillary ends are cut exactly plane. Therefore we recommend only to cut PEEK capillaries with the capillary cutter (6.2621.080).

Creating dead volume free capillary connections

To create dead volume free capillary connections, proceed as follows:

- 1** Slide the pressure screw over the capillary. Ensure that the capillary protrudes 1–2 mm from the tip of the pressure screw.
- 2** Plug the capillary all the way into the connection or coupling until the stop.
- 3** Only then start turning the pressure screw, while keeping the capillary pressed in space.



Colored sleeves for PEEK capillaries

The enclosed set of varicolored sleeves for PEEK capillaries (6.2251.000) serves to easily differentiate the various flows of liquid in the system through color coding. Each capillary leading a given liquid (e. g. eluent) can be highlighted with sleeves of the same color.

To highlight a capillary, proceed as follows:

- 1** Slide a sleeve of a selected color over a capillary and move it to an easily visible position.

If the capillary heats up, the sleeve shrinks and adapts to the form of the capillary.

3.7 Rear of the instrument

3.7.1 Rollers and handle

In order to make transport easier, the instrument is equipped with rollers and a handle.

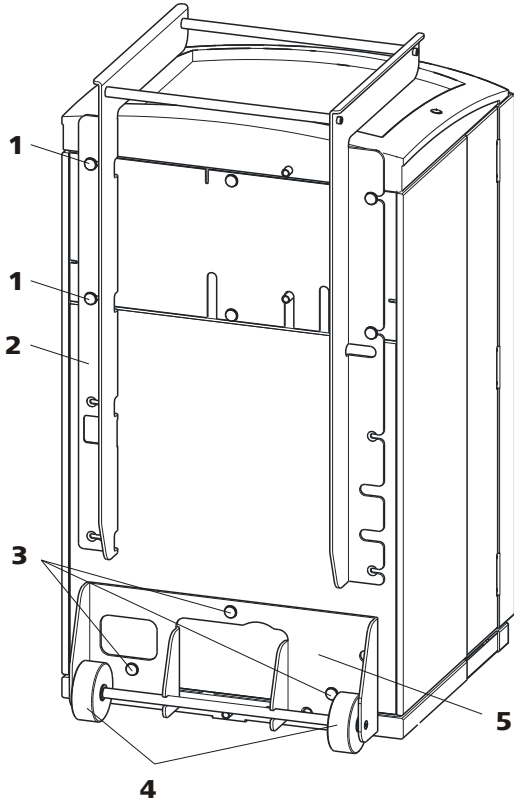


Figure 5 Rollers and handle

1 Knurled screws For fastening the handle (5-2) and the rear panel of the detector chamber.	2 Handle
3 Knurled screws For fastening the roller holder (5-5).	4 Rollers
5 Roller holder	

Removing handle

- 1** Loosen knurled screws (5-1) and remove handle (5-2).

Removing rollers

Proceed as follows to remove the rollers:

- 1** Remove knurled screws (5-3).
- 2** Remove roller holder (5-5).



Mounting handle as MPak holder



NOTICE

When extended, the handle (6-2) can also be used for hanging up MPaks (eluent bags).

- 1 Move handle (6-2) upwards and screw in the knurled screws (6-1) again.

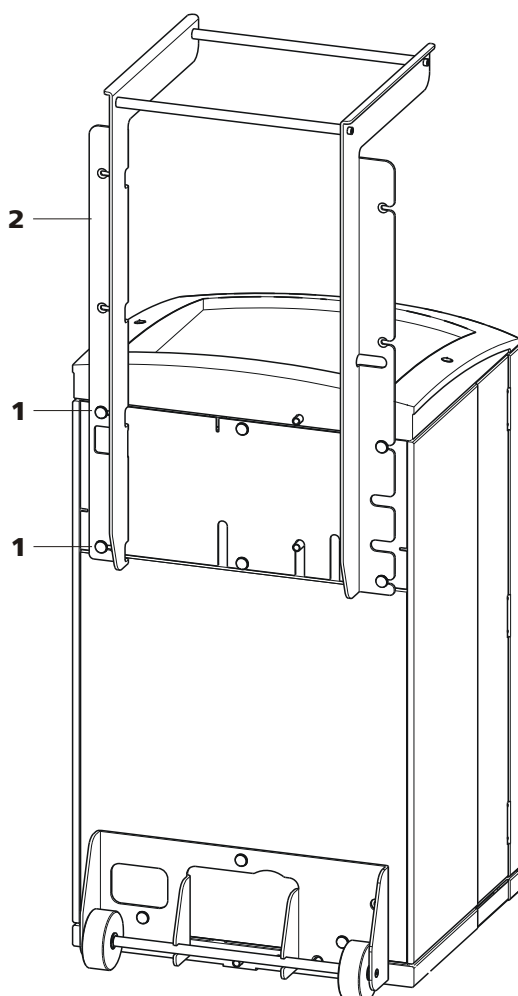


Figure 6 Handle as MPak holder

1 Knurled screws

For fastening the handle (6-2) and the rear panel of the detector chamber.

2 Handle

Extended. As holder for MPaks (eluent bag).

3.7.2 Positioning and connecting the detector

The instrument is delivered without detector. For information on how to place and connect the detector, please refer to the manual of the detector.

3.7.3 Transport locking screws

To avoid damage to the high pressure pump and the vacuum pump during transport, the pumps are secured with transport locking screws.

Remove these transport locking screws before the initial start-up.

Removing transport locking screws

- 1 Remove all of the transport locking screws with the 4 mm hexagon key (6.2621.030) and keep them in a safe place.



WARNING

In order to avoid damage to the pumps, the transport locking screws must be remounted each time the instrument undergoes major transport.

3.7.4 Leak sensor

The leak sensor detects escaping liquid which collects in the base tray of the instrument.

To activate the leak sensor, the leak sensor connector plug (7-2) must be connected, the instrument switched on and the leak sensor switched to **active** in the software.

Connecting the leak sensor

- 1 Plug the leak sensor connector plug (7-2) into the leak sensor connection socket (7-1) on the rear of the instrument (see figure 7, page 24).

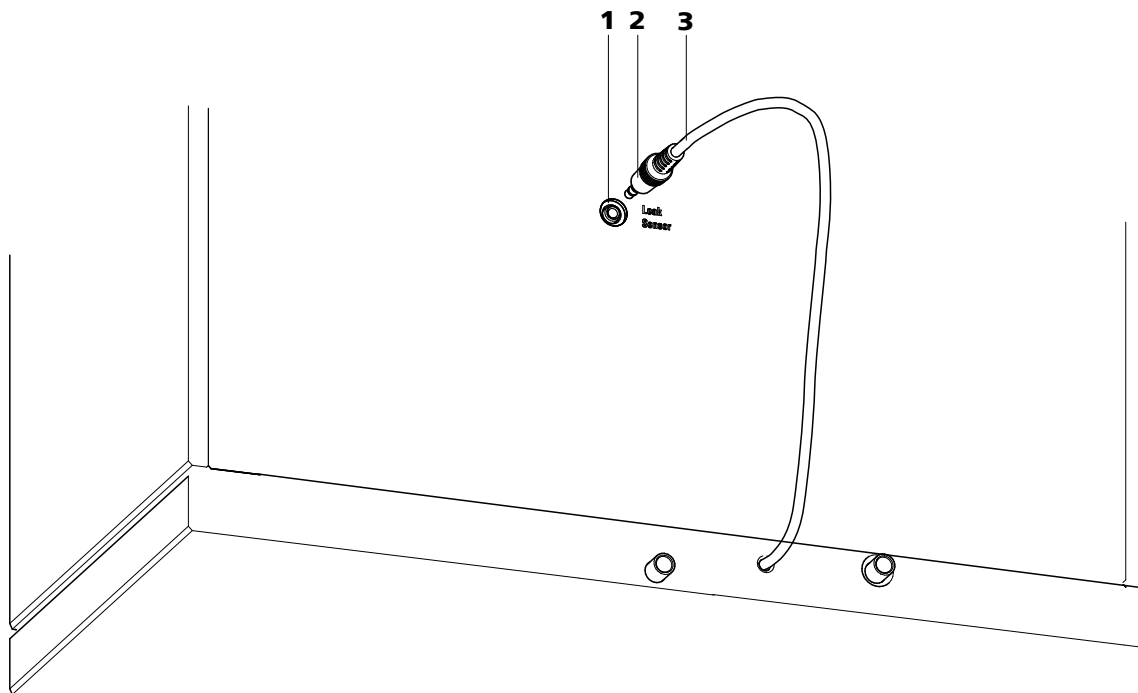


Figure 7 Connection of the leak sensor on the rear of the instrument

1 Leak sensor connection socket

Is labeled with "Leak Sensor".

2 Leak sensor connector plug

3 Leak sensor connection cable

Is firmly mounted on the rear of the instrument.

3.7.5 Drainage tubings

Liquid that escapes in the flask holder or in the detector chamber is directed through the drainage tubings into the base tray, past the leak sensor into the waste container. This ensures that any leaks in the system will be detected by the leak sensor.

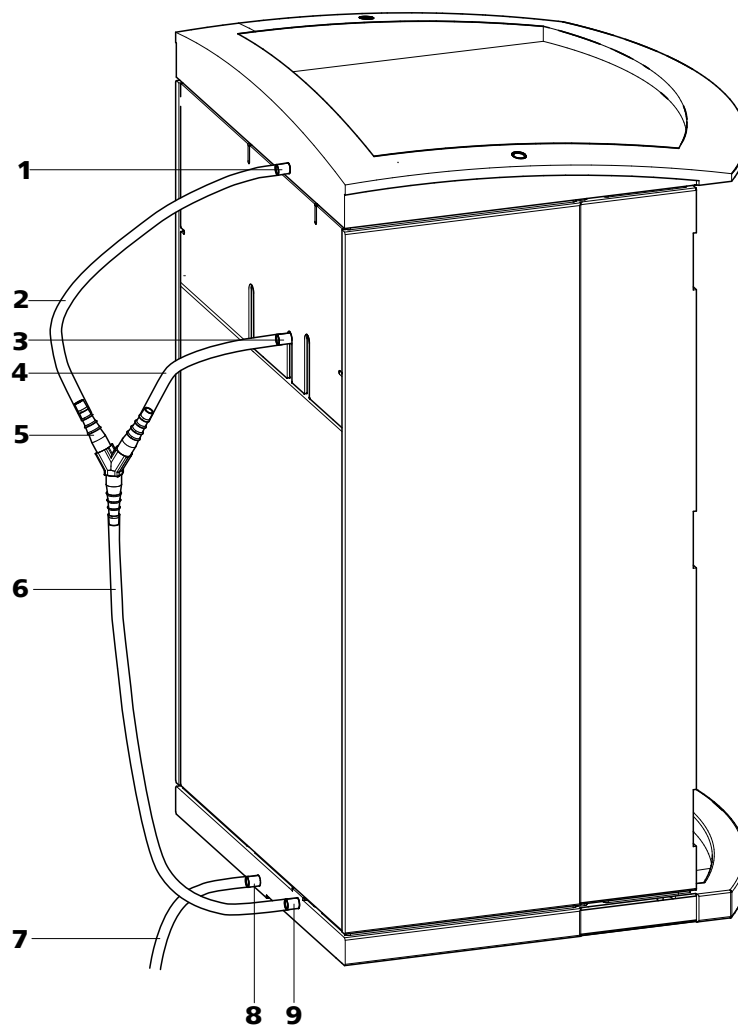


Figure 8 Drainage tubings

1 Drainage tubing connector

For draining escaped liquid from the flask holder.

3 Drainage tubing connector

For draining escaped liquid from the detector chamber.

5 Y connector 6.1807.010

For connecting the two drainage tubings (8-2) and (8-4).

2 Drainage tubing

Section of the 6.1816.020 silicon tubing. For draining escaped liquid from the flask holder.

4 Drainage tubing

Section of the 6.1816.020 silicon tubing. For draining escaped liquid from the detector chamber.

6 Drainage tubing

Section of the 6.1816.020 silicon tubing. Guides escaped liquid to the leak sensor.

**7 Drainage tubing**

Section of the 6.1816.020 silicon tubing. Guides escaped liquid into a waste container.

8 Drainage tubing connector

For draining the escaped liquid from the base tray through the connected drainage tubing.

9 Drainage tubing connector

For supplying escaped liquid through the connected drainage tubing to the leak sensor.

Proceed as follows to install the drainage tubings:

Installing drainage tubings

- 1** Plug drainage tubing (8-2) into the drainage tubing connector (8-1) of the flask holder and shorten to required length.
- 2** Plug drainage tubing (8-4) into the drainage tubing connector (8-3) of the detector chamber and shorten to required length.
- 3** Connect drainage tubing (8-2) from the flask holder and drainage tubing (8-4) from the detector chamber to the Y connector (8-5).
- 4** Connect drainage tubing (8-6) to the Y connector (8-5), shorten to required length and plug the other end of the drainage tubing into the drainage tubing connector (8-9) of the base tray.
- 5** Plug drainage tubing (8-7) into the drainage tubing connector (8-8) of the base tray and guide the other end into a waste container.

3.8 Capillary and cable feed-throughs

Several openings have been integrated for feeding through capillaries and cables. They are located on the doors (*see figure 9, page 27*), on the rear panel or below the flask holder or above the base tray (*see Figure 10, Page 28*).

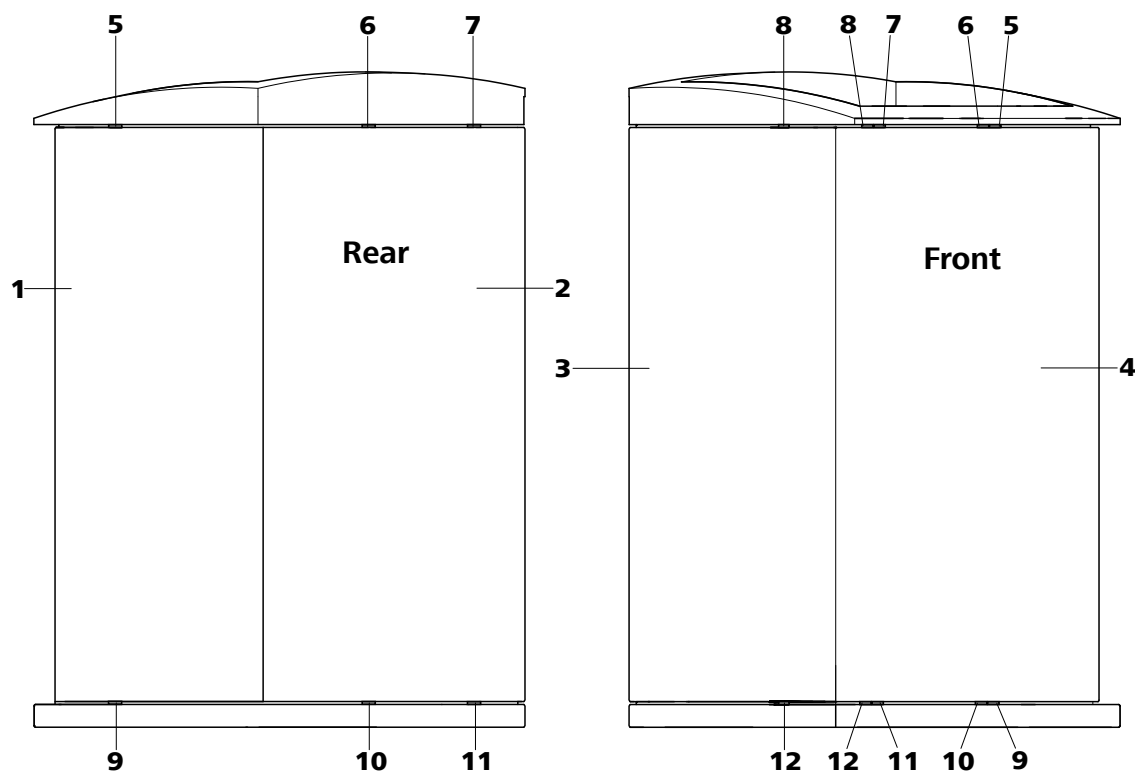


Figure 10 Capillary feed-throughs base tray/flask holder

1 Side panel (right) Right panel.	2 Rear of the instrument
3 Side panel (left) Left panel.	4 Front of the instrument
5 Capillary feed-through Upper. From front to right.	6 Capillary feed-through Upper. From front to back.
7 Capillary feed-through Upper. From front to back.	8 Capillary feed-through Upper. From front to left.
9 Capillary feed-through Lower. From front to right.	10 Capillary feed-through Lower. From front to back.
11 Capillary feed-through Lower. From front to back.	12 Capillary feed-through Lower. From front to left.

3.9 Eluent

3.9.1 Connecting the eluent bottle

The eluent is aspirated out of the eluent bottle via the eluent aspiration tubing (11-1).

The eluent aspiration tubing is connected to the eluent degasser (see chapter 3.10, page 33). The tubing must be threaded through a suitable capillary feed-through (see chapter 3.8, page 26) of the instrument before the other end can be equipped.

The following accessories are needed for equipping the eluent aspiration tubing:

- 6.1602.160 eluent bottle cap GL 45
- 6.2744.210 tubing adapter for aspiration filter
- 6.2821.090 aspiration filter

Proceed as follows for equipping the eluent aspiration tubing:

Assembling eluent aspiration tubing

- 1 Guide the free end of the eluent aspiration tubing (11-1) out of the instrument through a suitable capillary feed-through.
- 2 **Installing the eluent bottle cap (6.1602.160)**
 - Slide tubing nipple (11-2) and O-ring (11-3) onto the eluent aspiration tubing (11-1).
 - Push eluent aspiration tubing (11-1) through the bottle cap (11-4) and screw tight.

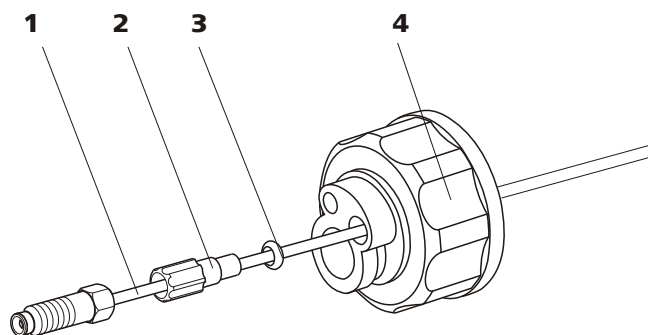


Figure 11 Installing the eluent bottle cap

1 Eluent aspiration tubing (6.1834.080)

2 Tubing nipple

From accessory set (6.1602.160).

3 O-ring

From accessory set (6.1602.160).

4 Bottle cap

From accessory set (6.1602.160).

3 Mounting the aspiration filter

- Insert the filter holder (12-1) into the aspiration filter (12-2) and screw it tightly.

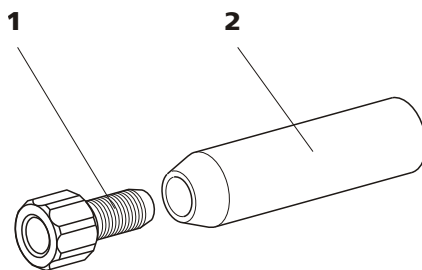


Figure 12 Mounting the aspiration filter

1 Filter holder

From accessory set (6.2744.210).

2 Aspiration filter (6.2821.090)

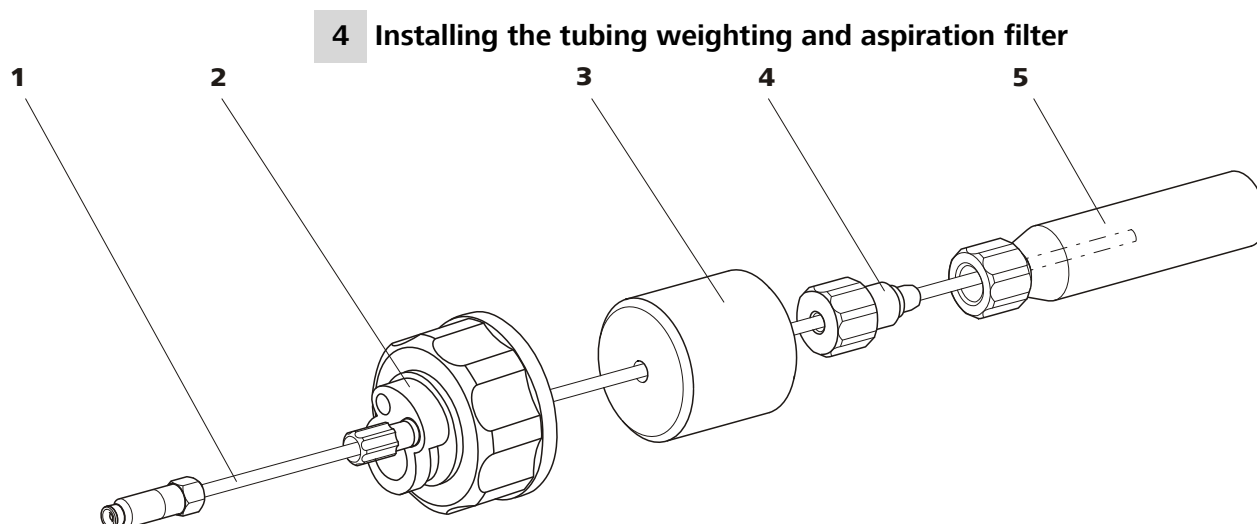


Figure 13 Installing the tubing weighting and aspiration filter

1 Eluent aspiration tubing (6.1834.080)

2 Eluent bottle cap (6.1602.160)

3 Tubing weighting
From accessory set (6.2744.210).

4 Clamping screw
From accessory set (6.2744.210).

5 Aspiration filter (6.2821.090)
With filter holder from accessory set
(6.2744.210).

- Slide the tubing weighting (13-3) onto the eluent aspiration tubing (13-1).
- Slide the clamping screw (13-4) onto the eluent aspiration tubing (13-1).
- Insert eluent aspiration tubing (13-1) into the aspiration filter (13-5). The end of the tubing should reach approximately to the center of the aspiration filter.
- Screw the clamping screw (13-4) to the filter holder (12-1).

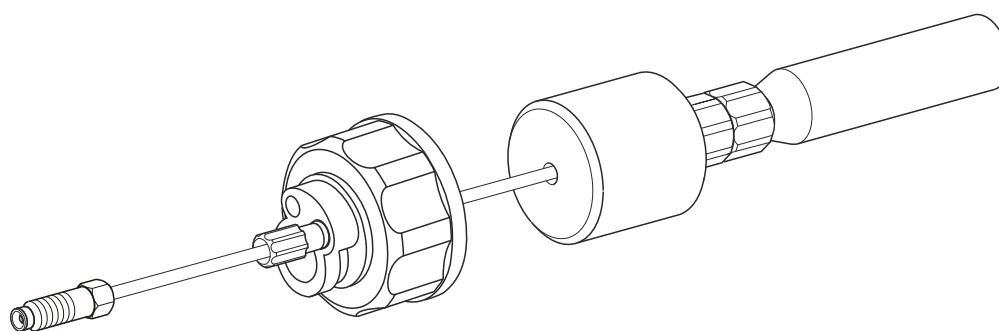


Figure 14 Eluent aspiration tubing fully equipped

5 Mounting the eluent aspiration tubing to the eluent bottle

- Insert the eluent aspiration tubing into the eluent bottle (15-10).



- Tighten the fully equipped bottle cap to the eluent bottle (15-10). The aspiration filter (15-6) must rest on the base of the eluent bottle.
- Close the remaining small opening on the bottle cap with a threaded stopper (15-14) from the accessory set.

6 Mounting the adsorber tube



NOTICE

If alkaline eluents or eluents with lower buffer capacity are used, the eluent bottle must be equipped with an adsorber tube filled with CO₂ adsorber (15-4).

- First, place a piece of cotton (15-3), then the CO₂ adsorber (15-4) in the large opening of the adsorber tube (15-2) and close with the plastic cover.
- Fasten the adsorber tube (15-2) on the bottle cap (15-11) using the SGJ clip (15-12).

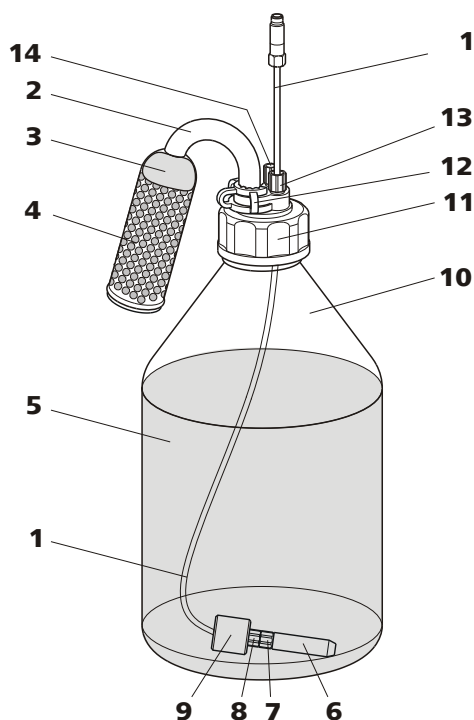


Figure 15 Eluent bottle – connected

1 Eluent aspiration tubing (6.1834.080)
For aspirating the eluent. Pre-installed.

2 Adsorber tube (6.1609.000)

3 Cotton	4 CO₂ adsorber Adsorbs CO ₂ from the air (e.g. Merck soda lime with indicator, no. 6839.1000).
5 Eluent	6 Aspiration filter (6.2821.090)
7 Filter holder From accessory set (6.2744.210).	8 Clamping screw From accessory set (6.2744.210).
9 Tubing weighting From accessory set (6.2744.210).	10 Eluent bottle (6.1608.070)
11 Bottle cap (6.1602.160)	12 SGJ clip (6.2023.020)
13 Tubing nipple	14 Threaded stopper

3.10 Eluent degasser

Gas bubbles in the eluent lead to an unstable baseline, as high pressure pumps can transport liquids, but not gases. This is why the eluent must be degassed before it reaches the high-pressure pump.

The eluent degasser removes gas bubbles and dissolved gases from the eluent. For degassing, the eluent flows into a vacuum chamber through a special fluoropolymer capillary.



NOTICE

The eluent degasser is already installed in the newly delivered instrument. The following installation instructions must only be followed, if the connections to the degasser had to be disconnected for maintenance.



Connecting the eluent degasser

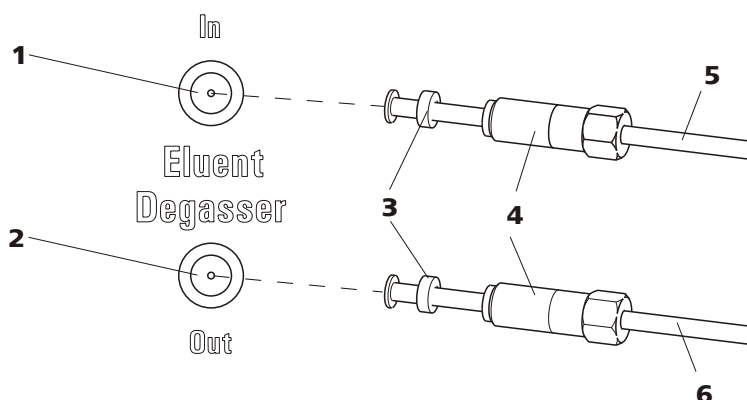


Figure 16 Eluent degasser

1	Eluent degasser input	2	Eluent degasser output
3	Tubing flare With tubing nipple.	4	Clamping screw
5	Eluent aspiration tubing (6.1834.080) For aspirating the eluent. The clamping screw (16-4) is firmly mounted.	6	Connection tubing (6.1834.090) Connection from the eluent degasser to the high-pressure pump (see chapter 3.12, page 39). The clamping screw (16-4) is firmly mounted.

1



CAUTION

The clamping screws (16-4) must be tightened carefully. Use the wrench (6.2621.050) to do this.

- Insert the eluent aspiration tubing (16-5) into the eluent degasser input (16-1).
 - Carefully tighten the clamping screw (16-4).
- 2**
- Insert connection tubing (16-6) (the end with the longer clamping screw (16-4)) into the eluent degasser output (16-2).
 - Carefully tighten the clamping screw (16-4).
 - Connect the other end of the connection capillary (16-6) (with the shorter clamping screw) to the high-pressure pump.

3.11 Low pressure gradient

Up to three different eluents can be mixed with the low pressure gradient. The three "normally closed" valves are usually closed. With each pumping cycle, the valves are kept open until the desired percentage of eluent has flowed, after which they are closed again. This results in a situation where the valves also open and close audibly when 100% of a solution is conveyed.

The eluent gradient generated in the mixing valve is aspirated by the high pressure pump and conveyed into the IC system. Because of the physical restrictions of the mixing valve, the flow must not exceed 3 mL/min. when using a low-pressure gradient.

In general, the use of the low pressure gradient is recommended for eluent percentages ranging from 10...90%. However, depending on the installed pump head and the set flow, the smallest possible eluent percentage can vary (*see table 1, page 35*).

Table 1 Smallest possible eluent percentage depending on installed pump head and set flow

Flow	Standard pump head	Macro pump head
1 mL/min	10 %	2.5 %
2 mL/min	20 %	5 %
3 mL/min	not recommended	7.5 %

Depending on the application, an optimal assignment of each eluent to a valve is documented in the Application Notes. To obtain a reproducible gradient profile, this eluent-valve assignment must remain unchanged.

Each eluent is degassed by means of its own eluent degasser (*see chapter 3.10, page 33*).

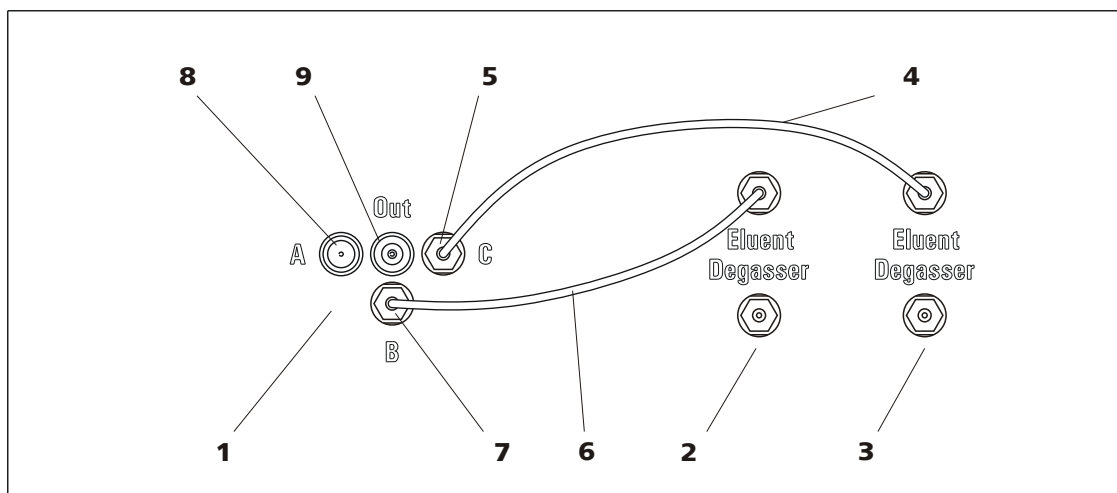


Figure 17 Low pressure gradient

1	Mixing valve	2	Eluent degasser for Eluent B
3	Eluent degasser for Eluent C	4	Connection tubing 6.1834.100 Connects eluent degasser (17- 3) and mixing valve C. Pre-installed.
5	Eluent inlet C	6	Connection tubing 6.1834.100 Connects the eluent degasser (17- 2) and the mixing valve input B. Pre-installed.
7	Eluent inlet B	8	Eluent inlet A
9	Eluent outlet		

Connecting mixing coil for low pressure gradients

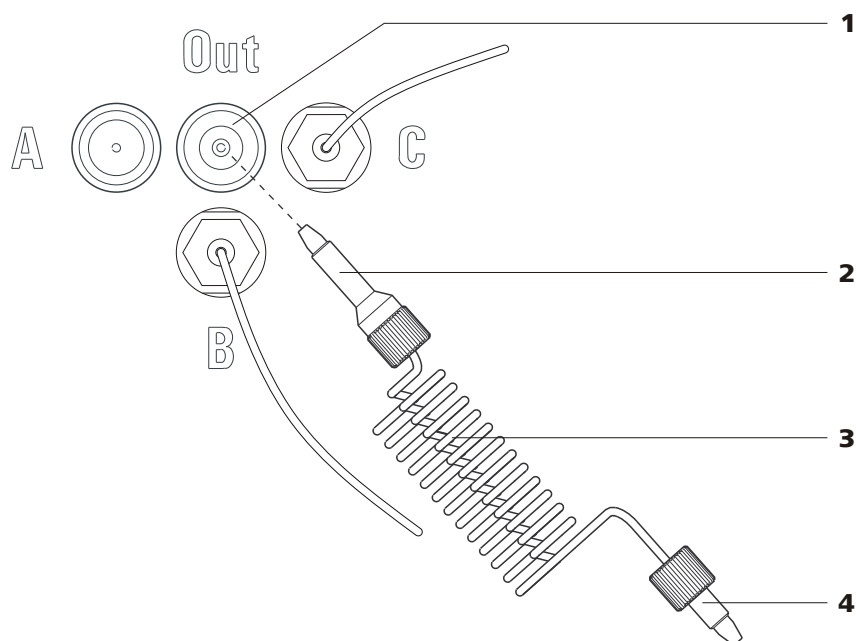


Figure 18 Connecting mixing coil for low pressure gradients

1 Eluent outlet

2 Pressure screw long
for the connector on the mixing valve.

3 Mixing coil for low pressure gradients
6.2758.020

4 Pressure screw short
for the connection on the high pressure pump.

- 1** Screw on the 6.2758.020 mixing coil for low pressure gradients (18-3) with the 6.2744.090 long PEEK pressure screw (18-2) to the eluent outlet (18-1).
- 2** Fasten the other end of the mixing coil for low pressure gradients (18-3) with the 6.2744.070 short PEEK pressure screw (18-4) directly to the inlet valve holder of the high pressure pump (see chapter 3.12.2, page 40).



Connecting connection tubings



NOTICE

The connection tubings to the inputs B and C are already installed at the time the instrument is delivered. Only connector A still needs to be connected.

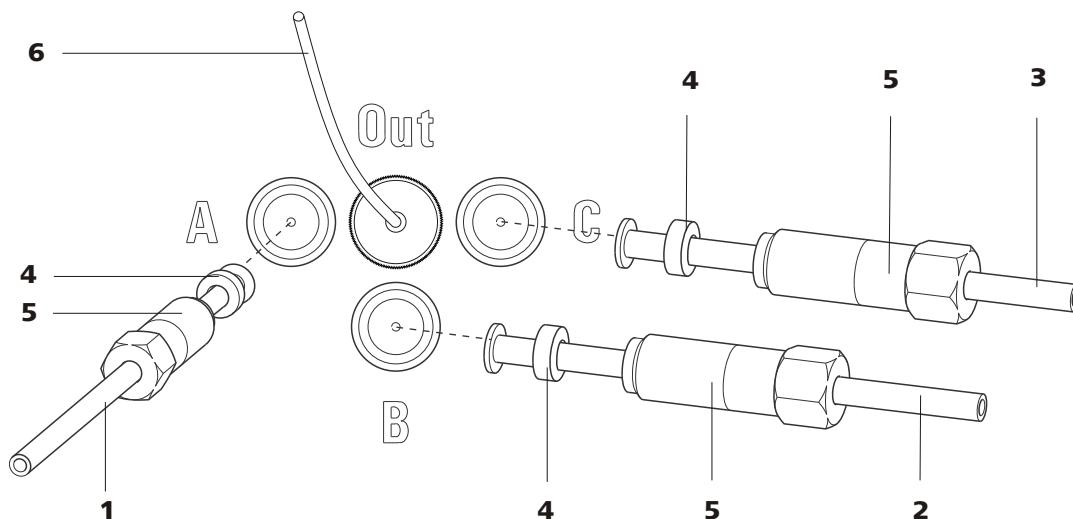


Figure 19 Connecting eluent connection tubings

<p>1 Connection tubing eluent degasser – mixing valve (6.1834.120)</p>	<p>2 Connection tubing eluent degasser – mixing valve (6.1834.100) Pre-installed.</p>
<p>3 Connection tubing eluent degasser – mixing valve (6.1834.110) Pre-installed.</p>	<p>4 Backup ring</p>
<p>5 Clamping screw</p>	<p>6 Mixing coil for low pressure gradients 6.2758.020</p>

- 1** Plug the connection tubing (19-1) into eluent inlet A and fix in place with the backup ring (19-4).

 - Carefully tighten the clamping screw (19-5) with 6.2621.050 wrench.
- 2** Repeat Step 1 with the other two eluent connection tubings (19-2) and (19-3).

3.12 High pressure pump

The intelligent and low pulsation high pressure pump pumps the eluent through the system. It is equipped with a chip on which its technical specifications and "life history" (operating hours, service data, ...) are saved.

The purge valve is used for deaerating (see chapter 3.12.3, page 41) the high pressure pump.

3.12.1 Capillary connections high pressure pump/purge valve



NOTICE

All of the capillary connections of the high pressure pump and the purge valve are already installed in the newly delivered instrument.

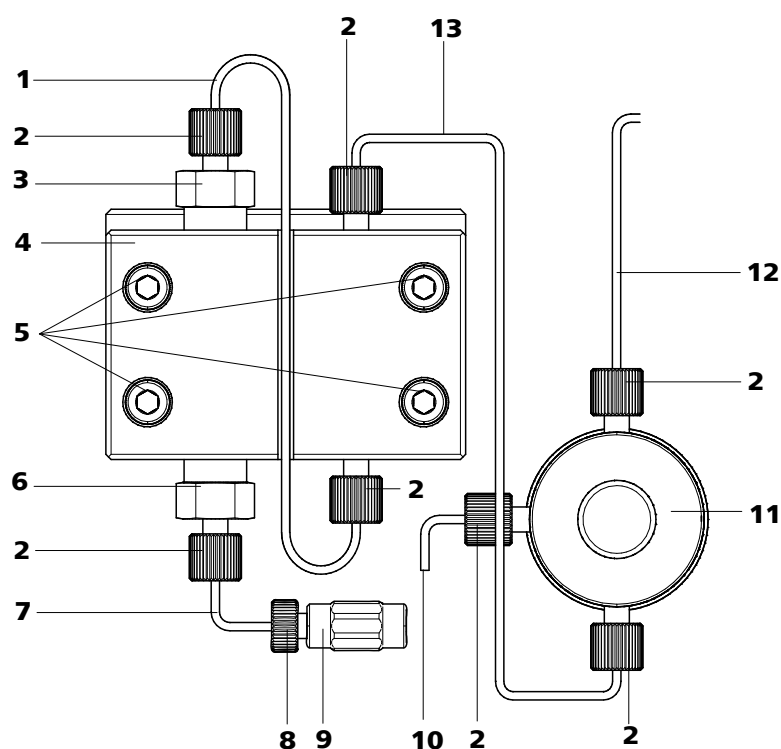


Figure 20 Capillary connections high pressure pump/purge valve

1 Connection capillary
PEEK capillary connects main piston and auxiliary piston.

3 Outlet valve holder

2 PEEK pressure screw, short 6.2744.070

4 Pump head 6.2824.110



<p>5 Fastening screws For fastening the pump head.</p>	<p>6 Inlet valve holder</p>
<p>7 Pump head input capillary PEEK capillary at the input of the pump head.</p>	<p>8 Pressure screw For connecting a PEEK capillary to the coupling (20-9).</p>
<p>9 Coupling For the connection of the eluent path at the input of the high pressure pump. Can be ordered together with the pressure screw (20-8) under the number 6.2744.230.</p>	<p>10 Deaerating capillary For aspirating the eluent when deaerating the high pressure pump (see chapter 3.12.3, page 41).</p>
<p>11 Purge valve For deaerating the high pressure pump. With rotary knob in the center and pressure sensor.</p>	<p>12 Connection capillary For connecting the inline filter (see chapter 3.13, page 43).</p>
<p>13 Connection capillary Connects the output of the pump head with the purge valve.</p>	

3.12.2 Connecting low pressure gradient



NOTICE

The eluent aspirating capillary is already installed on the high pressure pump in the newly delivered instrument. The connector must be modified in order to use the instrument as a low pressure gradient.

Connecting low pressure gradient

1 Removing the connection tubing eluent degasser – high pressure pump

- Loosen the clamping screw at the output of the eluent degasser and remove the connection tubing.
- Loosen the pressure screw on the inlet valve holder (20-2) and remove the connection tubing together with the coupling (20-9) and the pump head input capillary (20-7).

2 Connecting mixing coil for low pressure gradients

- Screw the end of the mixing coil for low pressure gradients (21-3) with the shorter pressure screw (21-2) to the inlet valve holder (21-1).

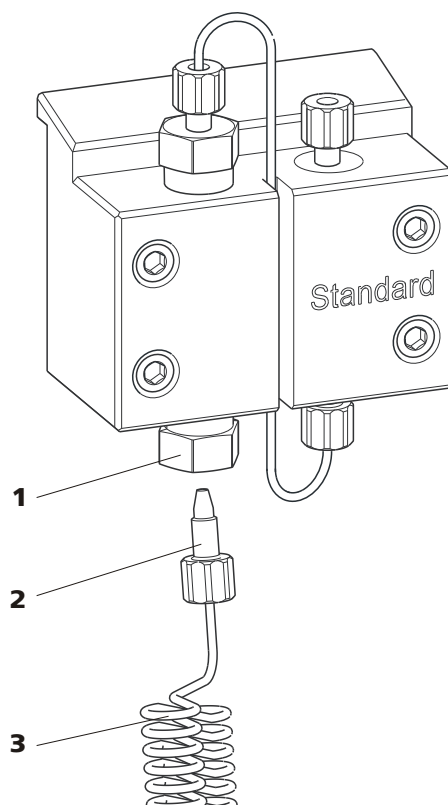


Figure 21 Mixing coil for low pressure gradients connection

1 Inlet valve holder

2 PEEK pressure screw, short 6.2744.070

3 Mixing coil for low pressure gradients
6.2758.020

3.12.3 Deaerating the high pressure pump

The high pressure pump will only operate perfectly if the pump head contains no more air bubbles. Therefore it must be deaerated during initial start-up and after every change of eluent.



CAUTION

The high pressure pump must **not** be deaerated before the initial start-up (see chapter 4.1, page 65).

Deaerate the high pressure pump as follows (see figure 22, page 42):

Deaerating the high pressure pump

The instrument must be connected to the PC and switched on to deaerate the high pressure pump.

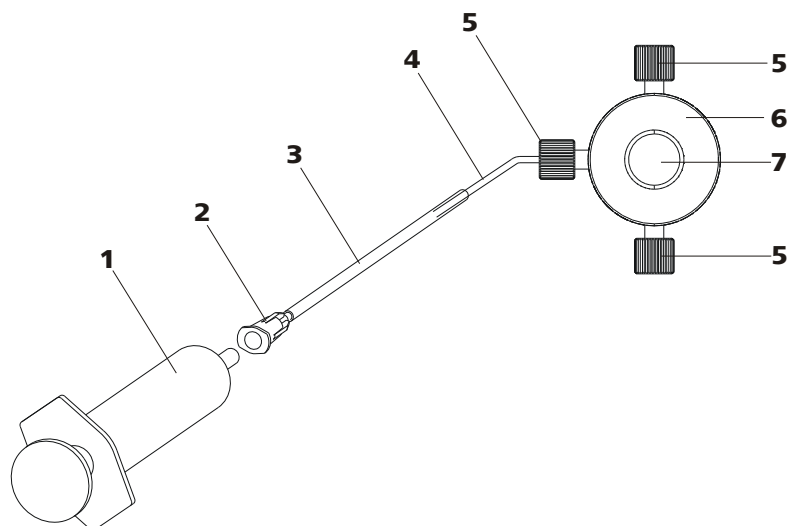


Figure 22 Deaerating the high pressure pump

1	Syringe 10 mL 6.2816.020 For aspirating the eluent.	2	Luer connector On purging needle.
3	Purging needle 6.2816.040	4	Deaerating capillary
5	PEEK pressure screws, short 6.2744.070	6	Purge valve
7	Purge valve rotary knob		

1 Connecting the purging needle

- Push the end of the purging needle (22-**3**) over the end of the deaerating capillary (22-**4**) on the purge valve.

2 Connecting the syringe

- Insert syringe (22-**1**) in the Luer connector (22-**2**) of the purging needle (see figure 22, page 42).

3 Opening purge valve

- Open the rotary knob (22-**7**) by approx. $\frac{1}{2}$ rotation counterclockwise.

4 Setting the flow rate

- Start MagIC Net (if not yet started).
- Ensure that the eluent aspiration tubing is immersed sufficiently in the eluent.
- Let the high pressure pump run.

5 Aspirating eluent

- Aspirate with the syringe (22-1) until bubble-free eluent flows into the syringe.

6 Completing deaerating

- Turn off high pressure pump.
- Close rotary knob (22-7).
- Remove syringe (22-1) from the Luer connector (22-2).
- Pull the purging needle (22-3) out of the deaerating capillary (22-4).

3.13 Inline filter

Between the purge valve and the pulsation absorber the inline filter (6.2821.120) is installed as protection against particles.

Inline filters protect the separation column securely against possible contamination from the eluent. Inline filters can however also just as well be used for the purpose of protecting the suppressor against contaminations in the regeneration or rinsing solutions. The filter platelets with a pore size of 2 µm can be replaced quickly and easily. They remove particles like e. g. bacteria and algae from the solutions.



NOTICE

The inline filter is already installed in the newly delivered instrument. The following installation instructions need **not** be carried out at the time of initial installation.

Installing the inline filter



CAUTION

Observe the flow direction marked on the filter housing for the connection of the inline filter.

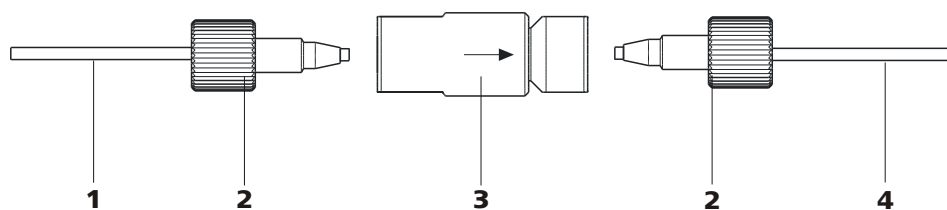


Figure 23 Connecting the inline filter

1 Connection capillary

Connects the purge valve with the inline filter.

3 Inline filter (6.2821.120)

Protects against particles.

2 PEEK pressure screws, short (6.2744.070)**4 Connection capillary**

Connects the inline filter with the pulsation absorber.

- 1 Screw on the connection capillary running from the purge valve to the input side of the inline filter using a pressure screw (6.2744.070).
- 2 Screw on the connection capillary running to the pulsation absorber to the output side of the inline filter using a pressure screw (6.2744.070).

3.14 Pulsation absorber

**NOTICE**

The pulsation absorber is already installed in the newly delivered instrument.

**CAUTION**

The pulsation absorber is maintenance-free and may not be opened.

The pulsation absorber protects the separation column from damage caused by pressure fluctuations when switching the injection valve, and reduces interfering pulsations during highly sensitive measurements. In order to ensure these functionalities, it must be connected between the high pressure pump (see chapter 3.12, page 39) and injection valve (see chapter 3.16, page 47).

The pulsation absorber can be operated in both directions.

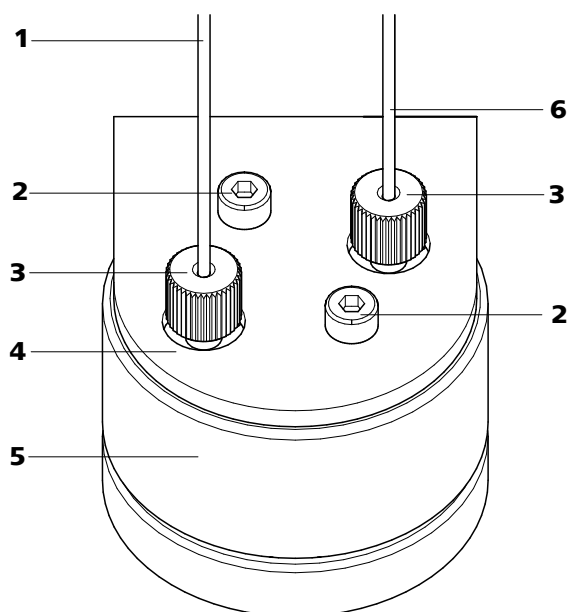


Figure 24 Pulsation absorber – Connection

1	Connection capillary Connection to the inline filter.	2	Fastening screws
3	PEEK pressure screws, short (6.2744.070)	4	Holder for pulsation absorber
5	Pulsation absorber (6.2620.150)	6	Connection capillary Connection to the injection valve.

3.15 Sample degasser

The sample degasser removes gas bubbles and dissolved gases from the sample. For degassing, the sample flows into a vacuum chamber through a special fluoropolymer capillary.

Gas bubbles in the sample lead to poor reproducibility, as the amount of sample in the sample loop would not always be the same. This is why samples (containing gas) should be degassed prior to injection. The sample is drawn in through a degassing chamber prior to injection and any gas bubbles are automatically removed.



NOTICE

The rinsing time increases by at least 2 minutes when the sample degasser is used.

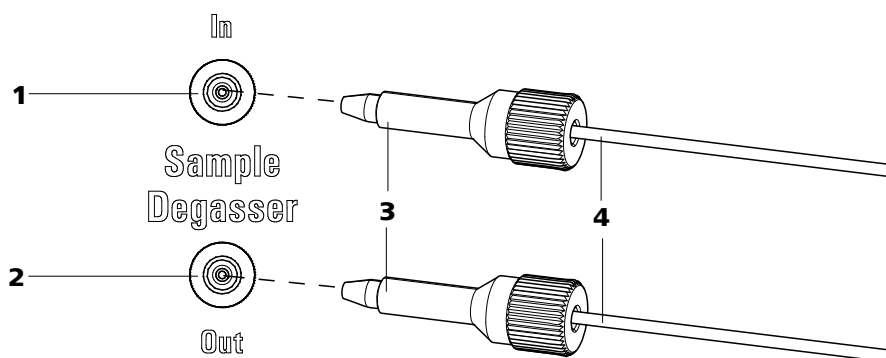


Figure 25 Sample degasser

1 Sample degasser input	2 Sample degasser output
3 PEEK pressure screw, long (6.2744.090)	4 Connection capillaries (6.1803.040)

Connecting the sample degasser

- 1 Remove and keep the threaded stoppers (6.2744.220) from the inlet and outlet of the sample degasser.
- 2 Connect the end of the sample aspiration capillary (6.1803.040) connected to the injection valve to the output of the sample degasser (25-**2**), using a long PEEK pressure screw (25-**3**).
- 3 Connect the connection capillary (6.1803.040) to the input of the sample degasser (25-**1**), using a long PEEK pressure screw (25-**3**).
- 4 Guide the other end of the connection capillary out of the instrument through a capillary feed-through and connect it with the Sample Processor, if applicable.



CAUTION

If the sample degasser is not used, the input and output **must** be sealed with the threaded stoppers (6.2744.220).

3.16 Injection valve

The injection valve connects the eluent and sample path. Through rapid and precise valve switchover a precise amount of sample solution defined by the size of the sample loop is injected and rinsed with eluent onto the separation column.

3.16.1 Connecting the injection valve

The injection valve has six connectors: two for the sample path (connectors 1 and 2), two for the eluent path (connectors 4 and 5) and two for the sample loop (connectors 3 and 6).



NOTICE

The capillaries of the eluent path and the sample path and the sample loop are already installed in the newly delivered instrument.

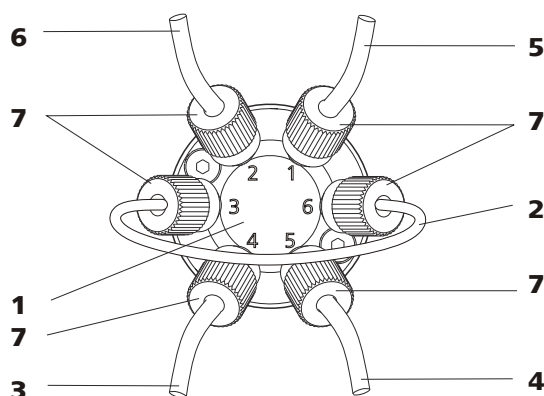


Figure 26 Injection valve – connected

1 Injection valve

2 Sample loop

Connected to connectors 3 and 6.

3 Connection capillary

Connected to connector 4. Carries eluent to the injection valve.

4 Connection capillary (column inlet capillary)

Connected to connector 5. Carries eluent to the separation column.

5 Connection capillary

Connected to connector 1. Carries sample to the injection valve.

6 Connection capillary

Connected to connector 2. Carries sample to the waste container.

7 PEEK pressure screw 6.2744.010

1 Eluent input Capillary coming from the high pressure pump.	2 Eluent output Capillary to the column.
3 Sample input Sample aspirating capillary.	4 Sample output Capillary to waste container.
5 Sample loop	

Position A

In the position **FILL**, the sample solution flows through the sample loop to the waste container. The eluent flows directly to the separation column at the same time.

Position B

In the position **INJECT**, the eluent flows through the sample loop to the separation column. If sample solution is to be found in the sample loop at the time of the valve switchover, then this will be conveyed along with the eluent, thus making its way to the separation column. The flow in the sample path is either stopped or the sample flows directly to the waste container.

3.16.3 Selecting the sample loop

The amount of sample solution injected depends on the volume of the sample loop. The choice is made on the basis of the application. The following sample loops are normally used:

Cation determination	10 µL
Anion determination with suppression	20 µL
Anion determination without suppression	100 µL

3.17 Column thermostat

The column thermostat controls the temperature of the column and eluent channel and thus ensures stable measuring conditions. It provides space for 2 separation columns.

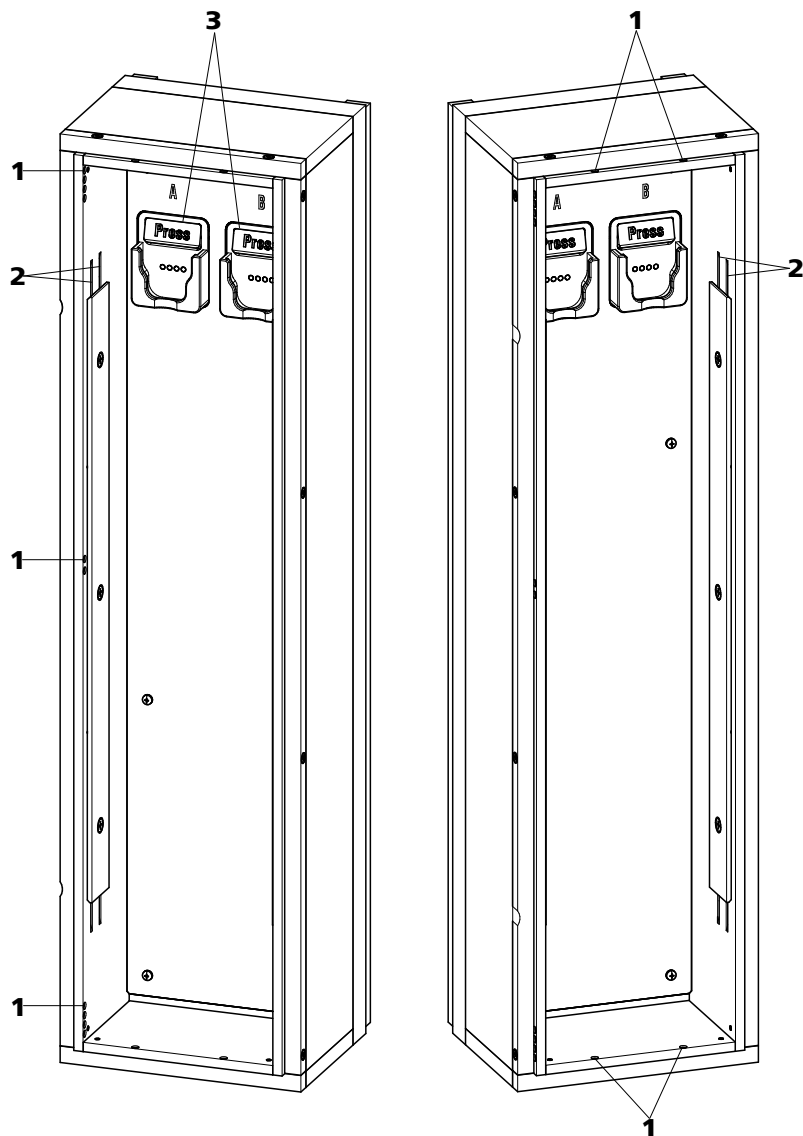


Figure 28 Column thermostat

1 Capillary feed-throughs

For guiding the capillaries in and out.

2 Capillary recesses

For controlling the temperature of the eluent.

Preheating capillary already pre-installed.

3 Column holder

For fastening the columns.

With column recognition.

The column thermostat contains two column holders (28-**3**) equipped with chip recognition. The separation columns can be clicked into the column holder with the chip.

**NOTICE**

The column input capillary is already threaded into the capillary recesses of the column thermostat at the time the instrument is first delivered. The following installation instructions need **not** be carried out at the time of initial installation.

Threading capillaries

- 1** Introduce column input capillary into the column thermostat via a suitable capillary feed-through (28-1).
- 2** Slide the column input capillary from below into the outer of the two capillary recesses (28-2). Slide it through under the holder plate until it emerges again at the top.
- 3** Carefully bend the column input capillary downward and slide from from above to below through the inner capillary recess until it emerges at the lower edge of the holder plate.

4**NOTICE**

The columns (guard column and separation column) may only be installed after the initial start-up (see chapter 4.1, page 65).

- **Before initial start-up:**
Fasten the 6.2744.040 coupling with a 6.2744.010 pressure screw to the end of the column input capillary.
- **After initial start-up:**
Fasten the guard column (if used) or the separation column with a 6.2744.010 pressure screw to the end of the column input capillary.

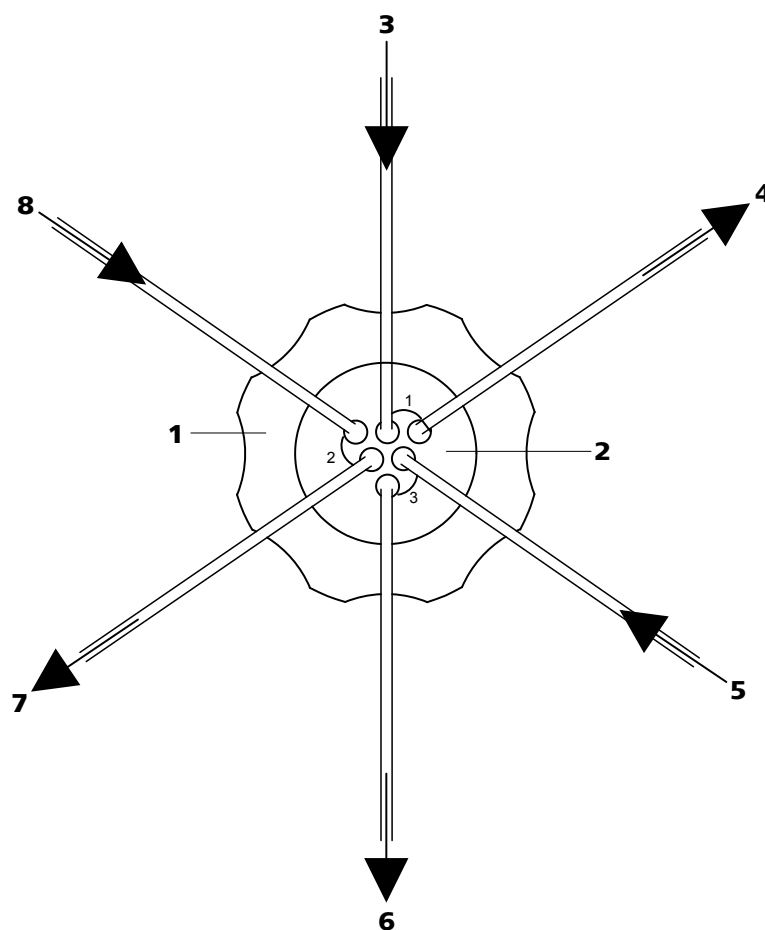


Figure 29 MSM-HC – Connectors

1	Union nut	2	MSM-HC connecting piece 6.2835.010
3	Eluent inlet capillary Labeled with <i>in</i> .	4	Eluent outlet capillary Labeled with <i>out</i> .
5	Rinsing solution inlet capillary Labeled with <i>rinsing solution</i> .	6	Rinsing solution outlet capillary Labeled with <i>waste rins.</i>
7	Regeneration solution outlet capillary Labeled with <i>waste reg.</i>	8	Regeneration solution inlet capillary Labeled with <i>regenerant</i> .

The PTFE capillaries firmly mounted on the MSM-HC are connected to the other components of the IC system as follows:



CAUTION

As the PTFE capillaries are very soft, the pressure screws should not be overtightened.

Flattened capillaries can be shortened with the help of a capillary cutter.



Connecting the capillaries of the MSM-HC

1 Connecting the eluent inlet capillary

- Fasten the end of the inlet capillary labeled with *in* with a 6.2744.070 short PEEK pressure screw to the output of the column.

2 Connecting the eluent outlet capillary



NOTICE

Depending on the instrument type the MSM-HC is either connected directly with the detector or, if available, with the MCS.

- Fasten the end of the outlet capillary labeled with *out* with a 6.2744.090 long PEEK pressure screw to the input of the MCS (in case an MCS is being used).

OR

Connect the end of the outlet capillary labeled with *out* and the detector inlet capillary with a 6.2744.040 coupling and two 6.2744.070 short pressure screws.

3 Connecting the rinsing solution inlet capillary

- Fasten the end of the inlet capillary labeled with *rinsing solution* with a 6.2744.070 short PEEK pressure screw to the pump tubing connection of the pump tubing which carries the rinsing solution.

4 Connecting the rinsing the solution outlet capillary

- Guide the other end of the outlet capillary labeled with *waste rins.* into a sufficiently large waste container and fasten it there.

5 Connecting the regeneration solution inlet capillary

- Fasten the end of the inlet capillary labeled with *regenerant* with a 6.2744.070 short PEEK pressure screw to the pump tubing connection of the pump tubing which carries the regeneration solution.

6 Connecting the regeneration solution outlet capillary

- Guide the other end of the outlet capillary labeled with *waste reg.* into a sufficiently large waste container and fasten it there.

The rinsing and regeneration solutions are pumped with a peristaltic pump (see chapter 3.19, page 55).

3.19 Peristaltic pump

3.19.1 Principle of the peristaltic pump

The Peristaltic pump is used for pumping sample and auxiliary solutions. It can rotate in both directions.

The peristaltic pump pumps liquids according to the principle of displacement. The pump tubing is clamped between the rollers (30-3) and the tubing cartridge (30-5). During operation, the peristaltic pump drive rotates the roller hub (30-2), so that the rollers (30-3) push the liquid forward in the pump tubing.

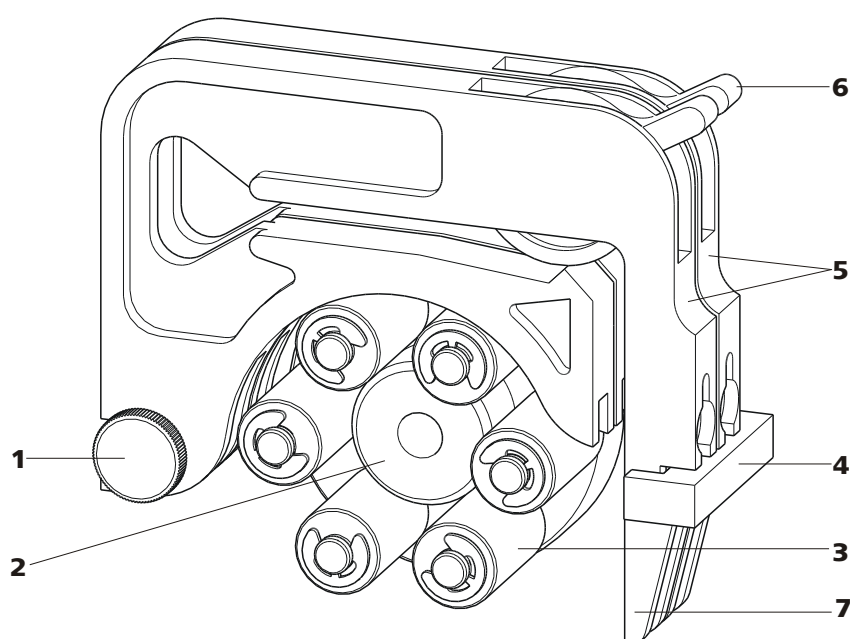


Figure 30 Peristaltic pump

1 Knurled screw in the mounting pin

2 Roller hub

3 Rollers

4 Cartridge holder

5 Tubing cartridges 6.2755.000

6 Contact pressure lever

7 Snap-action lever



3.19.2 Installing the peristaltic pump

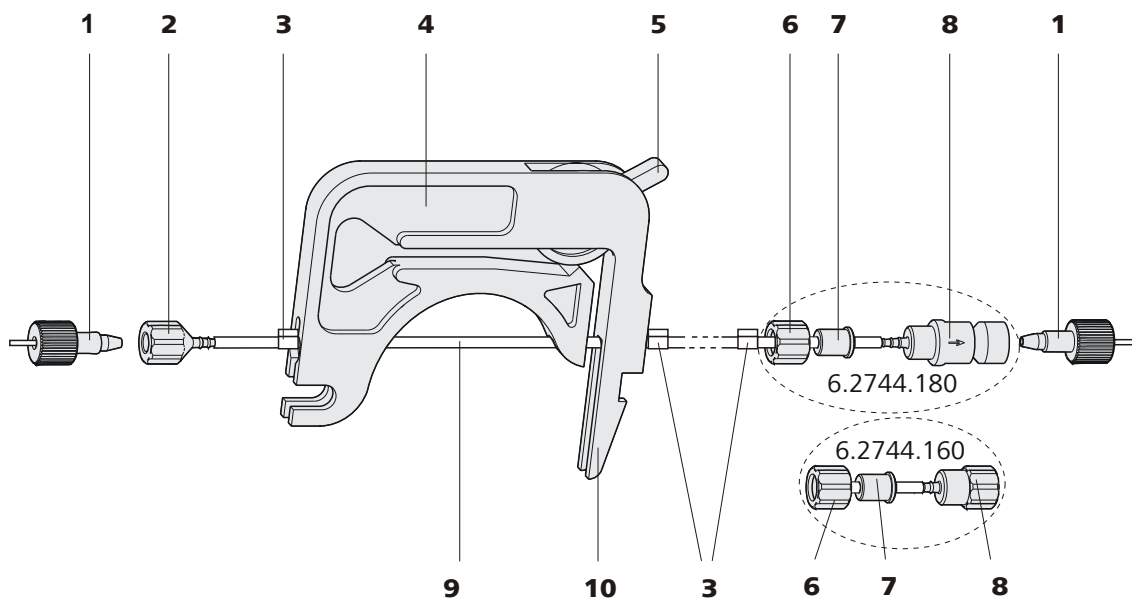


Figure 31 Installing the pump tubing

1	PEEK pressure screws, short (6.2744.070)	2	Tubing olive (6.2744.034)
3	Stopper The colors of the stopper indicate the inner diameter of the pump tubing.	4	Tubing cartridge (6.2755.000)
5	Contact pressure lever	6	Union nut
7	Adapter	8	Tubing olive Either with filter holder (6.2744.180) or without filter holder (6.2744.160).
9	Pump tubing (6.1826.xx0)	10	Snap-action lever

Mount the pump tubing as follows:

1 Removing the tubing cartridge

Release the tubing cartridge from the cartridge holder by pressing the snap-action lever and unhooking from the mounting pins (30-1).

2 Connecting the aspiration side

Place a 6.2744.034 tubing olive (31-2) on the aspiration side of the pump tubing.

3 Connecting the pressure side



NOTICE

Depending on the use of the peristaltic pump, on the pressure side you can either connect:

- **Case A:** a 6.2744.180 pump tubing connection **with filter** (see figure 32, page 57) or
- **Case B:** a 6.2744.160 pump tubing connection **without filter** (see figure 33, page 58).

For pumping the auxiliary solutions to the MSM or to the SPM, a 6.2744.180 pump tubing connection **with filter must** be used.

Case A: 6.2744.180 pump tubing connection with filter:

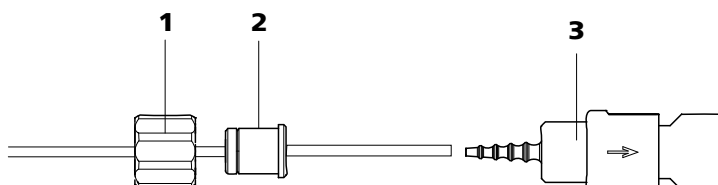


Figure 32 Install pump tubing connection with filter

1 Union nut

2 Adapter

3 Tubing olive with filter holder

- Slide union nut (32-1) onto the pump tubing.
- Select a suitable adapter (32-2) and slide it onto the pump tubing. The type of adapter depends on the pump tubing (see table 2, page 58).
- Place the tubing olive with filter holder (32-3) onto the pump tubing.
- Screw the union nut (32-1) onto the tubing olive (32-3).

or

Case B: 6.2744.160 pump tubing connection without filter:

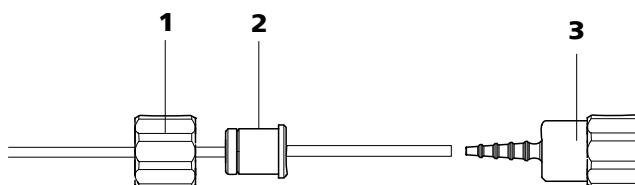


Figure 33 Install pump tubing connection without filter

1 Union nut

2 Adapter

3 Tubing olive

- Slide union nut (33-1) onto the pump tubing.
- Select a suitable adapter (33-2) and slide it onto the pump tubing. The type of adapter depends on the pump tubing (see table 2, page 58).
- Place the tubing olive (33-3) onto the pump tubing.
- Screw the union nut (33-1) onto the tubing olive (33-3).

4 Inserting the pump tubing

- Press the contact pressure lever all the way down.
- Place the pump tubing in the tubing cartridge. The stoppers (31-3) must snap into the corresponding holders of the tubing cartridge.

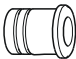
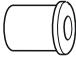
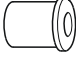
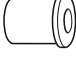
5 Inserting the tubing cartridge

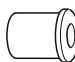
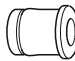
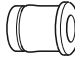
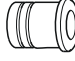
- Hang the tubing cartridge in the mounting pin and press in the cartridge holder until the snap-action lever snaps in.

6 Connecting the capillaries

- Screw the respective capillaries tightly to the two tubing olives with PEEK pressure screws (31-1).

Table 2 Pump tubings and suitable adapters

Pump tubing	Adapter
6.1826.020 (blue/blue)	
6.1826.310 (orange/green)	
6.1826.320 (orange/yellow)	
6.1826.330 (orange/white)	

Pump tubing	Adapter
6.1826.340 (black/black)	
6.1826.360 (white/white)	
6.1826.380 (gray/gray)	
6.1826.390 (yellow/yellow)	

Set flow rate

The contact pressure of the tubing cartridge must be adjusted in order to regulate the flow rate. Proceed as follows:

Set the contact pressure

- 1
 - Fully loosen the contact pressure lever (31-5), i.e. press it all the way down.
 - Switch on the peristaltic pump.
 - Raise the contact pressure lever one step at a time until liquid flows.
 - When liquid starts flowing, raise the contact pressure lever by an additional 2 ratchet increments.

The contact pressure is now set optimally.

The delivery rate depends not only on the correct contact pressure but also on the interior diameter of the pump tubing and the rotational speed of the drive.



NOTICE

Pump tubings are consumable material. The service life of the pump tubings depends on the contact pressure amongst other factors.



3.20 Connecting the instrument to a computer



NOTICE

If the instrument is connected to the computer, then it must be switched off.

Accessories

For this step, you need the following accessories:

- USB connecting cable (6.2151.020)

Connecting the USB cable

- 1 Insert the USB cable into the computer connection socket on the rear of the instrument labeled *PC*.
- 2 Insert the other end into a USB port on the computer.

3.21 Connecting the instrument to the power grid



WARNING

Electric shock from electrical potential

Risk of injury by touching live components or through moisture on live parts.

- Never open the housing of the instrument while the power cord is still connected.
- Protect live parts (e.g. power supply unit, power cord, connection sockets) against moisture.
- Unplug the power plug immediately if you suspect that moisture has gotten inside the instrument.
- Only personnel who have been issued Metrohm qualifications may perform service and repair work on electrical and electronic parts.

Connecting the power cord

Accessories

Power cord with the following specifications:

- Length: max. 2 m
- Number of cores: 3, with protective conductor

- Instrument plug: IEC 60320 type C13
- Conductor cross-section 3x min. 0.75 mm² / 18 AWG
- Power plug:
 - according to customer requirement (6.2122.XX0)
 - min. 10 A



NOTICE

Do not use a not permitted power cord!

1 Plugging in the power cord

- Plug the power cord into the instrument's power socket.
- Connect the power cord to the power grid.

3.22 Guard column

The use of guard columns serves for protecting the separation columns and increasing their service life considerably. The guard columns available from Metrohm represent either actual guard columns or are so-called guard column cartridges which are used together with a cartridge holder. The installation of a guard column cartridge in the associated holder is described in the leaflet of the guard columns.



NOTICE

Information regarding which guard column is suitable for your separation column can be found in the **Metrohm IC Column Program** (which is available from your Metrohm agent), the leaflet provided along with your separation column, the product information on the separation column at <http://www.metrohm.com> (product area Ion Chromatography), or obtained directly from your agent.



CAUTION

New guard columns are filled with solution and are sealed on both sides with stoppers or caps, respectively. Before using the guard column, you need to ensure that this solution is miscible with the eluents used (observe manufacturer's data).

**NOTICE**

The guard column may only be installed after the **initial start-up** (see *chapter 4.1, page 65*) of the instrument. Until then, use the coupling (6.2744.040) instead of the guard and separation column.

**NOTICE**

Metrohm recommends, always to work with guard columns. These protect the separation column and can be exchanged regularly.

Connecting and rinsing the guard column**1 Connecting the guard column****CAUTION**

When inserting the guard column, always ensure that it is inserted correctly corresponding to the flow direction (if indicated).

- Remove sealing caps and/or stoppers from the guard column.
- Fasten the input of the guard column to the column inlet capillary using a short PEEK pressure screw (6.2744.070).
- In case the guard column is mounted on the separation column with a connecting capillary, connect the included connection capillary, which is included with the guard column, to the output of the guard column using the PEEK pressure screw, which is also included.

2 Rinsing the guard column

- Place beaker under the outlet capillary of the guard column.
- Set the flow rate of the high pressure pump according to the data given in the leaflet of the separation column.
- Start the high pressure pump and rinse the guard column approx. 5 minutes with eluent.
- Switch off the high pressure pump again.

3.23 Separation column

The intelligent separation column (iColumn) is the heart of the ion chromatographic analysis. It separates the different components corresponding to their interactions with the column. Metrohm separation columns are equipped with a chip on which their technical specifications and their history (first use / setting up, operating hours, injections, ...) are saved.



NOTICE

Information regarding which separation column is suitable for your application can be found in the **Metrohm IC Column Program**, the product information for your separation column at <http://www.metrohm.com> in the product area ion chromatography, or obtained directly from your agent.



CAUTION

New separation columns are filled with solution and are sealed on both sides with stoppers. Before using the column, you need to ensure that this solution is miscible with the eluents used (observe manufacturer's data).

You can find the separation columns and guard columns currently available from Metrohm in the Metrohm IC Column Program, or in the Internet at <http://www.metrohm.com> in the product area Ion Chromatography. A test chromatogram and an leaflet are provided along with each column. You can request detailed information on special IC applications in the corresponding "**Application Bulletins**" or "**Application Notes**", available in the Internet at <http://www.metrohm.com> in the Applications area or via the Metrohm agent responsible free of charge.



NOTICE

The separation column may only be installed after the **initial start-up** (see chapter 4.1, page 65) of the instrument. Until then, use the coupling (6.2744.040) instead of the guard and separation column.



Connecting and rinsing the separation column

1 Connect the separation column



CAUTION

When inserting the columns, always ensure that these are correctly inserted corresponding to the flow direction indicated.

- Remove stoppers from the separation column.
- Attach the guard column to the input of the separation column.
OR
Connect the input of the separation column to the outlet capillary of the guard column, using the PEEK pressure screw (6.2744.070) included.
OR
If no guard column is used (not recommended), connect the column input capillary to the input of the separation column, using a PEEK pressure screw (6.2744.070).

2 Rinsing the separation column

- Place beaker under the outlet end of the separation column.
- Set the flow rate of the high pressure pump according to the data given in the leaflet of the separation column.
- Start the high pressure pump and rinse the separation column approx. 10 minutes with eluent.
- Switch off the high pressure pump again.

3 Mounting the separation column

- Fasten the column output capillary to the output of the separation column using a PEEK pressure screw (6.2744.070).
- Hang separation column with chip into the column holder.



NOTICE

The iColumns are equipped with a chip on which their operating data is saved. The chip has to be hooked into the chip holder provided for this so that the column recognition can function.

4 Start-up

The chapter *Start-up* is divided into 2 sections:

Initial start-up	The initial start-up is carried out during the initial installation .
Conditioning	Conditioning is carried out as a final installation step and each time after the system is started.

4.1 Initial start-up

The initial start-up is carried out during the initial installation. The entire system is rinsed before guard column and separation column are installed.



CAUTION

The separation column and guard column may not be installed for the initial start-up.

Make sure that the coupling (6.2744.040) is being used instead of the columns.

Perform the following steps during the initial start-up:

1 Preparing the software

- Start the PC program **MagIC Net™**.
- Open the **Equilibration** tab in MagIC Net™.
- Select (or create) a suitable method.

2 Preparing the instrument

- Ensure that the eluent aspiration tubing is immersed in the eluent and that there is enough eluent in the eluent bottle.
- Ensure that the aspiration tubings for the auxiliary solutions (regeneration solution and rinsing solution) are immersed into the respective solutions and that there is enough solution in the bottles.
- Switch on the instrument.

3 Starting equilibration

- In MagIC Net™, start the equilibration.



4 Deaerate the high pressure pump

- Deaerate the high pressure pump(s) via the purge valve (*see chapter 3.12.3, page 41*).

5 Set the contact pressure of the peristaltic pump



NOTICE

This work step needs to be performed only if a peristaltic pump is being used.

- If peristaltic pumps are used, set the contact pressure (*see "Set flow rate", page 59*).

6 Rinsing the instrument without columns

- Rinse the instrument (without columns) with eluent for 5 minutes.

The instrument is now ready for the installation of the columns (*see chapter 3.22, page 61*).

4.2 Conditioning

After the installation and after switching on the instrument, the system must be conditioned with eluent until a stable baseline is reached.



NOTICE

After a change of eluent (*see chapter 5.4.2.3, page 71*), the conditioning time can lengthen considerably.

Conditioning the system

1 Preparing the software



CAUTION

Ensure that the flow set is not higher than the flow permissible for the corresponding column (see column leaflet and chip data set).

- Start the PC program **MagIC Net™**.
- Open the **Equilibration** tab in MagIC Net™.

- Select (or create) a suitable method.

2 Preparing the instrument

- Ensure that the column is correctly mounted according to the flow direction indicated on the label (arrow must point in the direction of flow).
- Ensure that the eluent aspiration tubing is immersed in the eluent and that there is enough eluent in the eluent bottle.
- Ensure that the aspiration tubings for the auxiliary solutions (regeneration solution and rinsing solution) are immersed into the respective solutions and that there is enough solution in the bottles.

3 Checking leak-tightness

- In MagIC Net™, start the equilibration.
- Check all capillaries and their connections from the high pressure pump to the detector for signs of liquid escaping. If eluent escapes anywhere, tighten the corresponding pressure screw or loosen the connection, check the end of the capillary, shorten it with a capillary cutter if necessary, and restore the connection.

4 Conditioning the system

Rinse the system with eluent until the required stability of the baseline is attained (normally 30 minutes).

During this time, step the MSM to the next position every 10 minutes.

The instrument is now ready for measuring samples.

5.1.3 Operation



CAUTION

In order to avoid disturbing temperature influences, the entire system including the eluent bottle must be protected against direct sunlight.

5.1.4 Shutting down

If the instrument is not used for a longer period, the whole IC system (except the columns) must be rinsed salt free with methanol/ultrapure water (1:4), in order to prevent eluent salts from forming crystals which may cause subsequent damage.

Rinsing salt free the IC system

To rinse the system, proceed as follows:

- 1 Remove the separation column from the eluent path. Connect the connection capillaries directly with each other using a coupling (6.2744.040).
- 2 Rinse the IC system with methanol/ultrapure water (1:4) for 15 minutes.

Rinse with eluent for at least 15 minutes at starting up again and before connecting the guard column and separation column.

5.2 Capillary connections

5.2.1 Operation

All connections between injection valve, separation column and detector must be as short as possible, have a low dead volume and be completely leak-tight. The PEEK capillary after the detector must be free of blockages. Only use PEEK capillaries with an internal diameter of 0.25 mm in the high-pressure section between the high pressure pump and the detector.



5.3 Door



CAUTION

The door is made of PMMA (polymethylmetacrylate). It must never be cleaned with abrasive media or solvents.



CAUTION

Never use the door as a handle.

5.4 Eluent

5.4.1 Production

Chemicals used for manufacturing eluents must have a purity grade of at least "p.a.". Only ultrapure water (resistance > 18.2 MΩ*cm) may be used for dilution (this generally applies for reagents which are used in ion chromatography).

Newly manufactured eluents always have to be microfiltered (0.45 µm filter).

The composition of the eluent plays a critical role in chromatographic analysis:

Concentration	An increase in the concentration generally leads to shorter retention times and faster separation, but also to a higher background conductivity signal.
pH	pH changes lead to shifts in dissociation equilibria and thus to changes in retention times.
Organic solvents	Adding an organic solvent (e.g. methanol, acetone or acetonitrile) to watery eluents generally speeds up lipophilic ions.

5.4.2 Operation

5.4.2.1 Supply bottle

The supply bottle with the eluent must be connected as indicated in *chapter 3.9.1, page 29*. This is particularly important for eluents with volatile solvents (e.g. acetone).

Condensation in the eluent bottle must be avoided. Drop formation can change the concentration ratio in the eluent.

In the case of very sensitive measurements, we recommend that the eluent be stirred constantly with a magnetic stirrer (e. g. the 2.801.0010 with 6.2070.000).

5.4.2.2 Aspiration filter

To protect the IC system from foreign particles, we recommend aspirating the eluent via an aspiration filter (6.2821.090) (**12-2**). This aspiration filter must be replaced if it takes on a yellowish discoloration, and at least every 3 months.

5.4.2.3 Changing the eluent

Prevent any precipitations when changing the eluent. Immediately successive solutions must always be miscible. If the system has to be rinsed with organic solvents, use several solvents with rising or falling lipophilicity.

5.5 High pressure pump

5.5.1 Protection



CAUTION

The pump head is filled ex works with methanol/ultra pure water. It must be ensured that the eluent used is freely miscible with the solvent remaining in the pump head.

To protect the high pressure pump against **foreign particles**, we recommend that the eluent undergoes a **microfiltration** (filter 0.45 µm) before being aspirated via a 6.2821.090 aspiration filter (*see "Assembling eluent aspiration tubing", page 29*).

Salt crystals between the piston and seal cause abrasion particles which can find their way into the eluent. These lead to contaminated valves, a rise in pressure and in extreme cases scratched pistons. It is therefore essential to ensure that **no precipitates** can occur (*see chapter 5.4.2.3, page 71*).

**CAUTION**

In order to spare the pump seals, the pump should not be operated dry. Therefore ensure that the eluent supply is correctly connected and that there is enough eluent in the eluent bottle each time before turning on the pump.

5.5.2 Maintenance**CAUTION**

Maintenance work on the high pressure pump may not be carried out unless the **instrument is switched off**.

Pump head maintenance

An unstable baseline (pulsation, flow fluctuations) is in many cases the result of contaminated valves (40-2), (40-3) or defective, leaking piston seals on the high pressure pump. Proceed as follows for cleaning contaminated valves and/or replacing worn parts such as pistons, piston seal and valves:

This maintenance work should be carried out at least once a year.

Removing the pump head

- 1 Turn off high pressure pump and wait until pressure is released.
- 2 Loosen the pressure screw on the inlet valve holder (20-2) and unscrew the connection tubing together with the coupling (20-9) pump head input capillary (20-7) and eluent aspiration tubing from the pump head.
- 3 Unscrew the pump head output capillary (20-13) from the pump head.
- 4 Remove pump head from the pump housing by loosening the 4 fastening screws (20-5) using the 6.2621.030 hexagon key. The main piston is on the left (viewed from the front), and the auxiliary piston is on the right.

Cleaning/replacing the zirconium oxide piston

Clean one piston after the other as follows:

1 Removing the piston cartridge from the pump head

Loosen the piston cartridge with a wrench and unscrew from the pump head by hand.

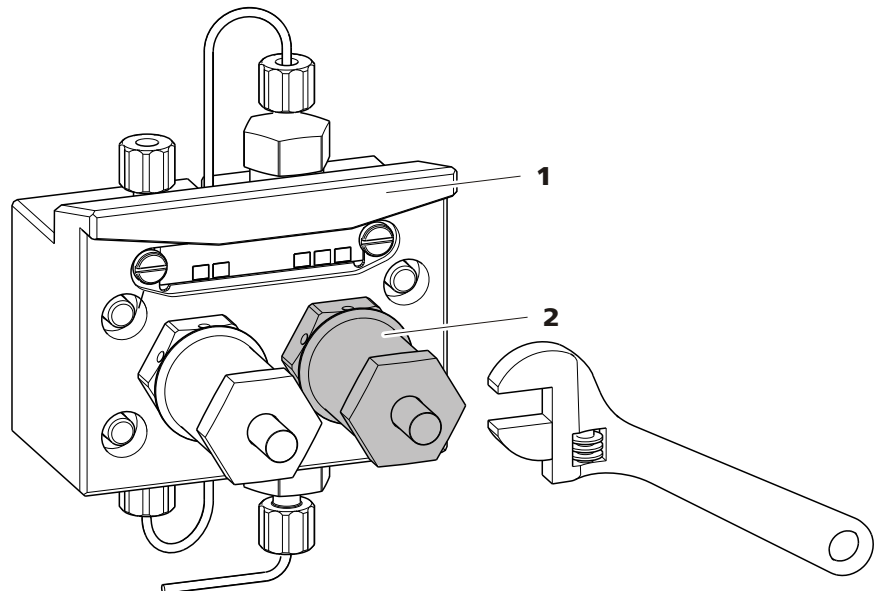


Figure 34 Removing piston

1 Pump head

2 Piston

2 Dismantling the piston



CAUTION

On the inside of the piston cartridge there is a taut spring that can jump out of the piston cartridge if suddenly losing tension.

When opening the piston cartridge, hold pressure towards the spring and unscrew carefully.

- Loosen the screw of the piston cartridge with a wrench and unscrew carefully by hand and by holding pressure towards the taut spring.
- Remove the zirconium oxide piston and lay on a tissue.
- Remove the spring retainer, spring and the inner plastic sleeve from the piston cartridge and lay by.



- Remove the backup ring from the pump head and lay to the other parts.

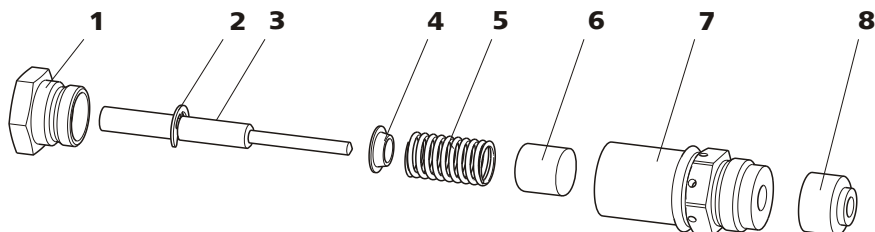


Figure 35 Components of the piston cartridge

1	Piston cartridge screw	2	Retaining washer
3	Zirconium oxide piston with piston shaft Order number: 6.2824.070.	4	Spring retainer
5	Spring Order number: 6.2824.060.	6	Inner plastic sleeve Protects from metallic abrasion.
7	Piston cartridge	8	Backup ring

3 Cleaning the components of the piston

- Clean zirconium oxide pistons contaminated by abrasion or deposits with pure abrasive cleaning powder, rinse particle free with ultra pure water and dry.
Replace highly contaminated or scratched zirconium oxide pistons (spare part: 6.2824.070 zirconium oxide piston).
- Rinse the other parts of the piston and dry with a lint-free cloth.

4 Assembling the piston

- Insert the inner plastic sleeve, spring and spring retainer into the piston cartridge.
- Slide the zirconium oxide piston carefully into the piston cartridge until its tip emerges from the small opening of the piston cartridge.
- Attach screw and tighten by hand.

Replacing the piston seal

The 6.2617.010 special tool (*see figure 36, page 75*) is necessary in order to remove the piston seal from the pump head. It consists of two parts: a

tip for removing the old piston seal and a sleeve for inserting the new piston seal.

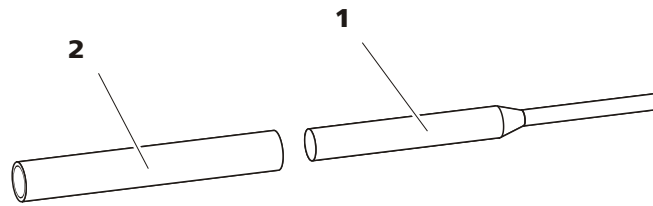


Figure 36 Tool for piston seal 6.2617.010

1 Pin

Pin for removing the old piston seal.

2 Sleeve

Sleeve for inserting the new piston seal.



CAUTION

Screwing the 6.2617.010 special tool for the piston seal into the piston seal destroys this completely!

1 Removing the piston seal



CAUTION

Avoid touching the sealing surface in the pump head (20-4) with the tool.

Screw the special tool for the piston seal (36-1) with the narrow side just as far into the piston seal as the same can be removed.

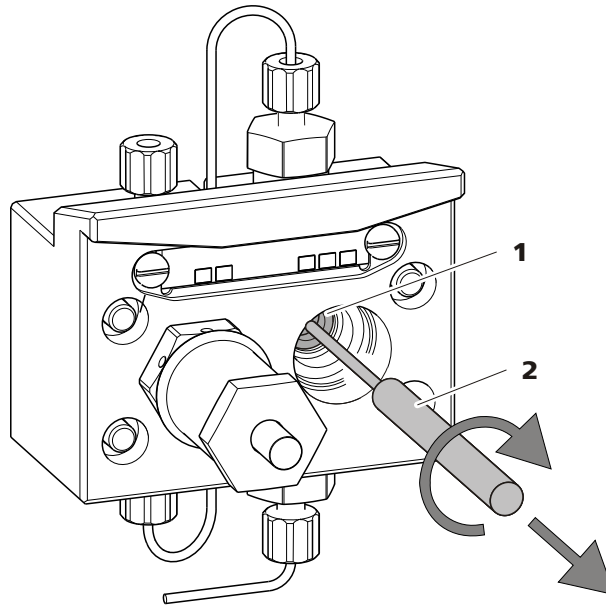


Figure 37 Removing the piston seal

1 Piston seal

2 Tool for piston seal
Pin of the tool.

2 Inserting the new piston seal into the tool

Insert the new piston seal tightly by hand into the recess of the sleeve of the tool for the piston seal (36-2). The sealing springs must be visible from the outside.

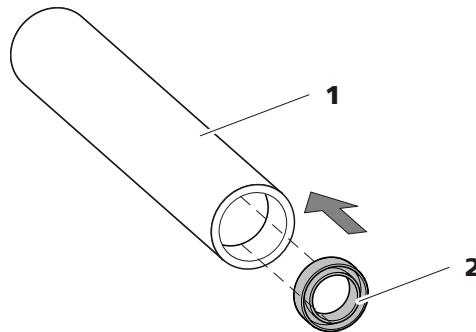


Figure 38 Inserting the piston seal into the tool

1 Tool for piston seal 6.2617.010
Sleeve for inserting the new piston seal.

2 Piston seal
Order number: 6.2741.020

3 Inserting the new piston seal into the pump head

Guide the sleeve of the tool for the piston seal (36-2) with inserted piston seal into the pump head and press the seal with the wide end of the tool for the piston seal (36-1) into the pump head recess.

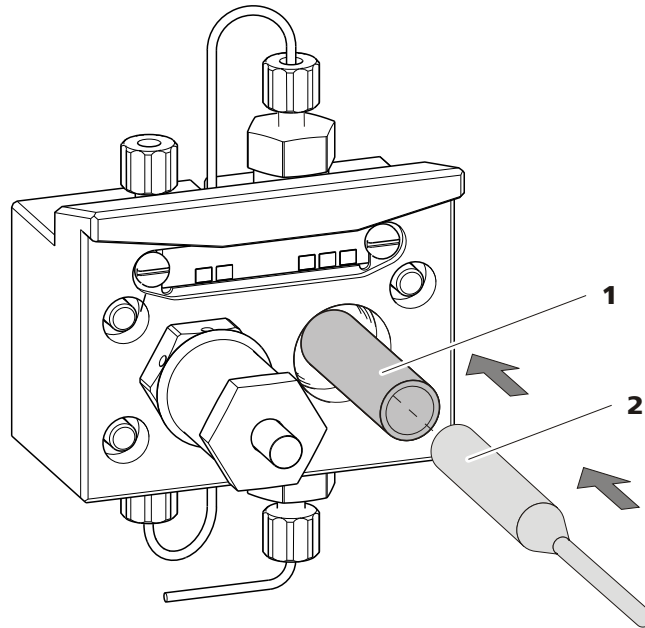


Figure 39 Inserting the piston seal into the pump head

4 Replacing the piston cartridge

Screw the assembled piston cartridge back into the pump head and tighten, first by hand, then additionally by approx. 15° with a wrench.

Cleaning the inlet valve and outlet valve

1 Removing valves

- Unscrew the connection capillary for the auxiliary piston (20-1) from the outlet valve holder.
- Unscrew the holders for the inlet and outlet valves and remove valves.

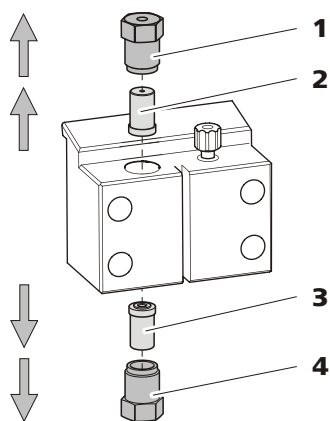


Figure 40 Removing valves

1 Outlet valve holder	2 Outlet valve Order number: 6.2824.160
3 Inlet valve Order number: 6.2824.170	4 Inlet valve holder

2 Cleaning undissected valve

Clean contaminated or blocked valves initially **without** dismantling them completely.

- Rinse the valve in eluent flow and counterflow direction using a spray bottle filled with ultra pure water, RBS solution or acetone.
- The rinsing effect is further increased through a short treatment (lasting for a maximum of 20 s) in an ultrasonic bath.



NOTICE

Longer lasting ultrasonic baths can damage the ruby ball of the valve.

Only if this cleaning is useless, dismantle the valves separately and clean the components.

3 Dismantling valve

Dismantle every valve separately.



NOTICE

For dismantling the valve the 6.2617.020 tool for valve cartridges is required.

- Place the valve with the seal faced downwards above the recess in the holder.
- Push the valve components out of the valve housing using the needle of the tool.

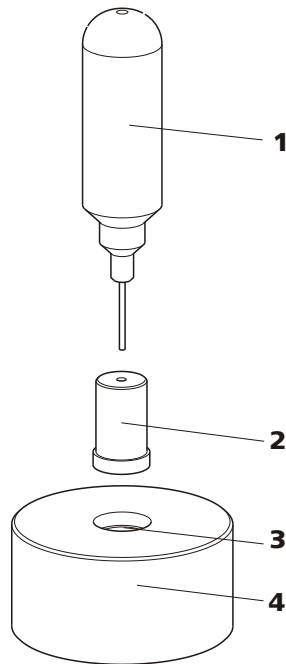


Figure 41 Dismantling valve

1 Needle

For pushing the valve components out of the valve housing.

2 Valve

3 Holder

4 Recess

For collecting the valve components.

The components of the valve are collected in the recess of the holder.



NOTICE

The components of the valve are very small. In order not to lose them, put the components into a dish.

- The inlet valve and the outlet valve consist of the same, just differently arranged components (*see figure 42, page 80*).

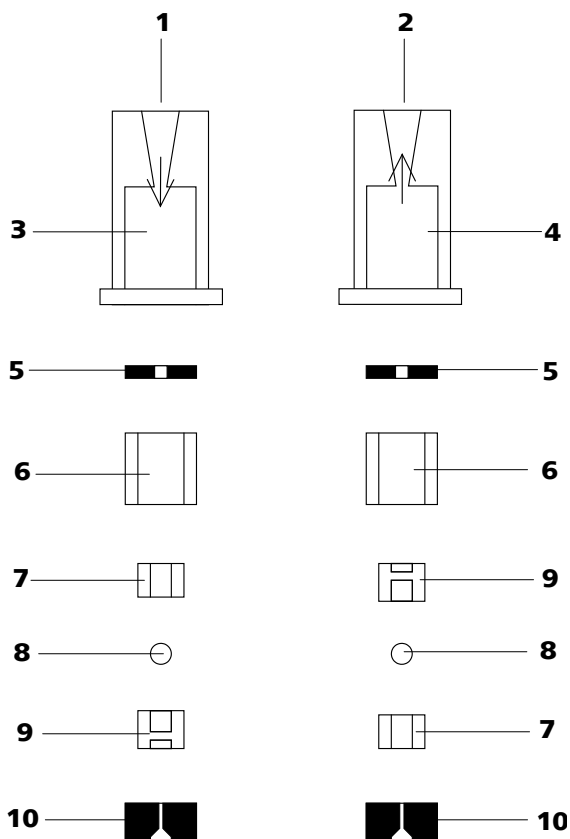


Figure 42 Components of the inlet valve and outlet valve

1	Inlet valve 6.2824.170	2	Outlet valve 6.2824.160
3	Inlet valve housing	4	Outlet valve housing
5	Sealing ring (black)	6	Sleeve
7	Sapphire sleeve The shiny side must point to ruby ball.	8	Ruby ball
9	Ceramic holder for ruby ball	10	Seal The larger opening must point outwards.

4 Cleaning the components of the valve

Rinse the valve components with ultra pure water and/or acetone and dry with a lint-free cloth.

5 Reassembling the valve

Reassemble valve components *according to figure 42, page 80*.

- Insert the seal with the larger opening faced downwards into the recess of the tool.
- Lay the other valve components above another in the correct sequence (*see figure 42, page 80*).

- Place over the valve housing and hold it tightly.
- By tilting the tool, the valve components slide into the valve housing.
- Press the seal by hand well on the valve housing.

6 Checking the flow direction

Rinse the valve in the direction of the arrow on the valve housing and check whether liquid is escaping on the other end.

If this is not the case, the valve has to be dismantled again and be reassembled correctly (*see figure 42, page 80*).

7 Inserting the valves back into the pump head



CAUTION

If by mistake, the inlet valve is mounted instead of the outlet valve, an extreme pressure builds up within the working cylinder, which can destroy the piston seal!

When inserting the valves, please take into account that the liquid is being pumped through the pump head from bottom to top.

- Insert the inlet valve into the inlet valve holder the way the seal is visible.
- Screw the inlet valve holder into the bottom of the pump head and tighten with a wrench (*40-4*).
- Insert the outlet valve into the outlet valve holder the way the seal is visible.
- Screw the outlet valve holder into the top of the pump head and tighten with a wrench (*40-1*).



Mounting the pump head



NOTICE

To prevent the pump head from being positioned the wrong way, it is provided with different bore hole depths for the fastening bolts, i. e. a fastening bolt is longer than all others. The bore hole with the greatest depth must therefore be assigned to the longest bolt. If this is not the case, the pump will not function perfectly.

- 1 Mount the pump head on the pump again using the four fastening screws (20-5). Firmly tighten the screws with the 6.2621.030 hexagon key.
- 2 Screw connection capillaries (20-1), (20-7) and (20-13) onto the pump head again.

5.6 Inline filter

5.6.1 Maintenance

The inline filter (6.2821.120) comprises the filter housing (43-2), the filter screw (43-4) and the filter (43-3). New filters (43-3) are available under the order number 6.2821.130 (10 items).

The filters (6.2821.130) (43-3) should be changed every 3 months (more frequently at higher backpressure).

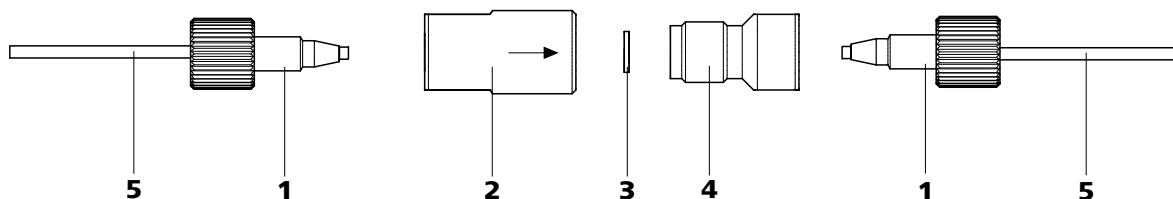


Figure 43 Change filters (of the inline filter)

1 PEEK pressure screws, short (6.2744.070)

3 Filter (6.2821.130)
Packaging contains 10 items.

5 Connection capillaries

2 Filter housing
Housing of the inline filter. Part of the 6.2821.120 accessories.

4 Filter housing
Screw of the inline filter. Part of the 6.2821.120 accessories.

Changing the filter

The flow must be stopped before changing the filter.

1 Removing the inline filter

- Unscrew the pressure screws (43-1) from the inline filter.

2 Unscrewing the filter screw

- Screw the filter screw (43-4) out of the filter housing (43-2) with the aid of two adjustable wrenches (6.2621.000).

3 Inserting the filter

- Remove the old filter (43-3) using tweezers.
- Place the new filter (43-3) flat in the filter housing (43-2) using tweezers.

4 Mounting filter screw

- Screw the filter screw (43-4) back into the filter housing (43-2) and tighten by hand. Then additionally tighten slightly with two adjustable wrenches (6.2621.000).

5 Remounting the inline filter

- Screw pressure screws (43-1) back onto the inline filter.

6 Rinsing the inline filter

- Dismantle the guard column (if present) and the separation column and replace with a coupling (6.2744.040).
- Rinse the instrument with eluent.



5.7 Inline sample preparation

To protect the separation column (*see chapter 3.23, page 63*) against foreign particles which can affect the separating efficiency, we recommend that all samples undergo a microfiltration (filter 0.45 μm). The ultrafiltration cell can be used for **filtration** (*see manual of the IC Equipment for Ultrafiltration*).

Samples containing significant amounts of **gas** should be degassed. The sample degasser (*see chapter 3.15, page 45*) is used for degassing.

Matrix-loaded samples (e.g. blood, oil) should be prepared for the measurement by means of dialysis (*see manual on the IC Equipment for Dialysis*).

If the concentration of the sample is too high, the sample should be **diluted** before feeding (*see documentation on the IC Equipment for Sample Dilution*).

For the sample preparation methods **Neutralization** (replacement of e.g. Na^+ with H^+) and **cation exchange** (replacement of e.g. heavy metals with H^+), a sample preparation module (SPM) is used.

For an overview of all Metrohm inline sample preparation methods go to the following website: <http://misp.metrohm.com>

5.8 Rinsing the sample path

Before a new sample can be measured, the sample path must be rinsed with it so that the measuring result is not falsified by the previous sample (**Sample carry-over**).

In the case of automated sample feeding, the rinsing time should be at least 3 times the **transfer time**.

The transfer time is the time required by the sample to flow from the sample vessel to the end of the sample loop. The transfer time depends on the pump capacity of the peristaltic pump or the Dosino used, the total capillary volume and the volume of the gas removed by the sample degasser (if used) - in other words the amount of gas in the sample.

Ascertaining the transfer time

To ascertain the transfer time, proceed as follows:

1 Emptying the sample path

Pump air through the sample path (pump tubing, tubing connections, capillary in the degasser, sample loop) for several minutes until all liquid is displaced by the air.

2 Aspirating the sample and measuring time

Aspirate a sample typical for the later application and use a stop watch to measure the time required by the sample to travel from the sample vessel to the end of the sample loop.

The time measured corresponds to the "transfer time". The rinsing time should be at least 3 times the transfer time.

Checking the rinsing time

It is possible to determine whether the rinsing time is adequate via a direct measurement of the sample carry-over. Proceed as follows:

1 Preparing two samples

- **Sample A:** A typical sample for the application.
- **Sample B:** Ultrapure water.

2 Determining "Sample A"

Let "Sample A" pass through the sample path for the duration of the rinsing time, then inject and measure.

3 Determining "Sample B"

Let "Sample B" pass through the sample path for the duration of the rinsing time, then inject and measure.

4 Calculating the sample carry-over

The degree of the sample carry-over corresponds to the ratio of the peak areas of the measurement for sample B to the measurement for sample A. The lower the ratio, the lower the sample carry-over. This ratio can be modified by varying the rinsing time – thus allowing the rinsing time required for the application to be ascertained.



5.9 Sample degasser

5.9.1 Operation

If you are working with sample degassing, the longer "transfer time" (*see Ascertaining the transfer time, page 85*) means that it is also necessary to rinse for longer (with the subsequent sample). The rinsing time should be at least 3 times the "transfer time" so as to minimize the carry-over effects. The "transfer time" depends on the pump capacity, the total capillary volume and the volume of the removed gas (i.e. the gas amount in the sample).



NOTICE

The rinsing time increases by at least 2 minutes when the sample degasser is used.

5.10 Injection valve

5.10.1 Protection

To prevent contamination of the injection valve, a 6.2821.120 inline filter (*see chapter 3.13, page 43*) should be mounted between the high pressure pump and the pulsation damper.

5.11 High Capacity Metrohm Suppressor Module (MSM-HC)

5.11.1 Protection

To protect the MSM-HC against foreign particles or bacterial growth, a 6.2744.180 pump tubing connection with filter (*see figure 32, page 57*) must be mounted between the peristaltic pump and the inlet capillaries of the MSM-HC.

5.11.2 Operation



NOTICE

The suppressor units must never be regenerated in the same flow direction in which the eluent is pumped. Therefore always mount the inlet and outlet capillaries according to diagram outlined in *figure 29*.

The MSM-HC consists of 3 suppressor units, which are used for suppression, regenerated with sulfuric acid or rinsed with ultra pure water in rotation. In order to record every new chromatogram under comparable conditions, you should normally work with a freshly regenerated suppressor.



CAUTION

The MSM-HC must never be switched over in a dry state, as there is a risk of jamming. If the MSM-HC is in a dry state, the MSM-HC must be rinsed for at least 5 minutes before it may be switched over.



CAUTION

In the case of reduced capacity or high backpressure, the MSM-HC must be regenerated (*see chapter 5.11.3.1, page 87*), cleaned (*see chapter 5.11.3.2, page 88*) or replaced (*see chapter 5.11.3.3, page 91*).

5.11.3 Maintenance

5.11.3.1 Regenerating the MSM-HC

If the suppressor units are loaded for a longer period with certain heavy metals (e.g. iron) or organic impurities, these can no longer be completely removed with the regeneration solution (100 mmol/L H₂SO₄) normally used. The capacity of the suppressor units is consequently affected, which can result in reduced phosphate sensitivity in less serious cases and a significant rise in the baseline in more serious cases. If such capacity problems occur at one or more positions, the suppressor units must be regenerated:

Regenerating the MSM-HC

1 Disconnecting the MSM-HC from the IC system

- Disconnect the capillaries of the MSM-HC from the separation column and MCS (if used) or the detector.

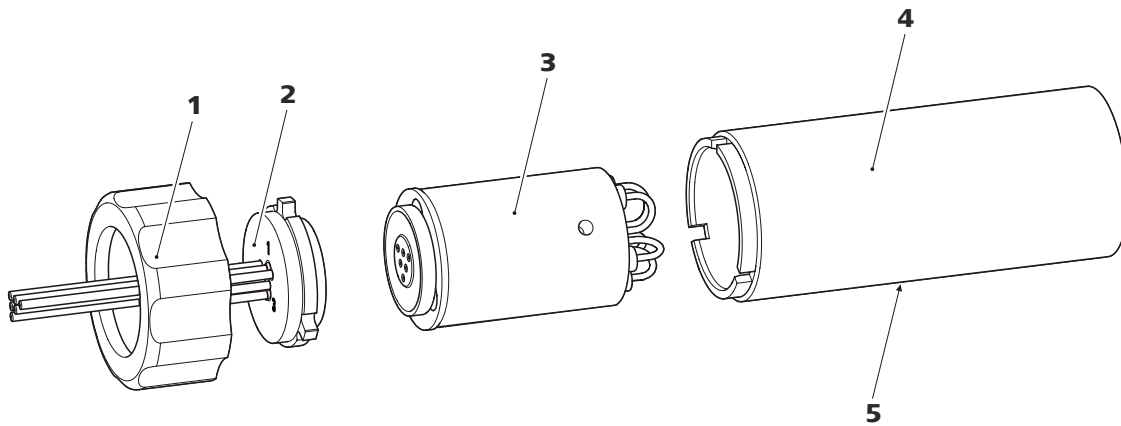


Figure 44 MSM-HC – Components

1	Union nut	2	MSM-HC connecting piece 6.2835.010
3	MSM-HC rotor A 6.2842.000	4	MSM-HC housing
5	Slot in the MSM-HC housing		

Cleaning the MSM-HC

Clean the MSM-HC as follows:

1 Disconnecting the MSM-HC from the IC system

- Switch off the instrument.
- Disconnect the MSM-HC from the separation column, peristaltic pump and detector.

2 Dismantling the MSM-HC

- Unscrew union nut (44-1) from the MSM-HC housing (44-4).
- Pull the MSM-HC connecting piece (44-2) and the MSM-HC rotor A (44-3) out of the MSM-HC housing (44-4). The connecting piece and the MSM-HC rotor A normally stick to one another – if this is not the case: Take a sharp object, insert into the slot (44-5) in the MSM-HC housing, and pull out the MSM-HC rotor A (44-3) in this way.
- Detach the MSM-HC connecting piece (44-2) from MSM-HC rotor A (44-3).

3 Cleaning the supply and discharge lines

- Connect in turn each of the 6 capillary tubings fastened on the MSM-HC connecting piece (44-2) on the high pressure pump and pump through ultra pure water.



- Check whether solution emerges at the MSM-HC connecting piece (44-2). If one of the supply or discharge lines remained blocked, the MSM-HC connecting piece (44-2) must be replaced (order number 6.2835.010).

4 Cleaning the MSM-HC rotor A

- Clean the sealing surface of the MSM-HC rotor A (44-3) with ethanol using a lint-free cloth.

5 Inserting the MSM-HC rotor A



CAUTION

An incorrectly inserted MSM rotor A (44-3) can be **destroyed** during start-up.

- Insert the MSM-HC rotor A (44-3) into the MSM-HC housing (44-4) in such a way that the tubing connections on the rear of MSM-HC rotor A fit into the corresponding recesses inside the MSM-HC housing and one of the three holes of the MSM-HC rotor A is visible from below in the slot (44-5) of the MSM-HC housing.
- If the MSM-HC rotor A (44-3) is correctly inserted, its sealing surface will be approx. 4 mm within the MSM-HC housing (44-4). If this is not the case, the MSM-HC rotor A must be moved into the right position from below using a sharp object (e.g. screwdriver).

6 Cleaning the MSM-HC connecting piece

- Clean the sealing surface of the MSM-HC connecting piece (44-2) with ethanol using a lint-free cloth.

7 Inserting the MSM-HC connecting piece

- Insert the MSM-HC connecting piece (44-2) into the MSM-HC housing (44-4) in such a way that the connector 1 is on top and the three pins of the connecting piece fit into the corresponding recesses on the MSM-HC housing (44-4).
- Reattach the union nut (44-1) onto the coupling and tighten.

8 Connecting and conditioning the MSM-HC

- Reconnect the MSM-HC to the IC system.
- Before switching the MSM-HC over for the first time, rinse the three suppressor units with solution for 5 minutes.

5.11.3.3 Replacing parts of the MSM-HC

It may be necessary to replace parts of the MSM-HC in the following cases:

- Loss of suppression capacity which cannot be eliminated (reduced phosphate sensitivity and/or significant rise in the baseline).
- Blockage of the MSM-HC which cannot be eliminated (solutions can no longer be pumped through the suppressor).

Both the MSM-HC rotor A (44-3) and the MSM-HC connecting piece (44-2) with its supply and discharge lines can be replaced.

Replacing parts of the MSM-HC

Replace parts of the MSM-HC as follows (see figure 44, page 89):

1 Disconnecting the MSM-HC from the IC system

- Switch off the instrument.
- Disconnect the MSM-HC from the separation column, peristaltic pump and detector.

2 Dismantling the MSM-HC

- Unscrew union nut (44-1) from the MSM-HC housing (44-4).
- Pull the MSM-HC connecting piece (44-2) and the MSM-HC rotor A (44-3) out of the MSM-HC housing (44-4). The connecting piece and the MSM-HC rotor A normally stick to one another – if this is not the case: Take a sharp object, insert into the slot (44-5) in the MSM-HC housing, and pull out the MSM-HC rotor A (44-3) in this way.
- Detach the MSM-HC connecting piece (44-2) from MSM-HC rotor A (44-3).

3 Cleaning the new MSM-HC rotor A

- Clean the sealing surface of the new MSM-rotor A (44-3) with ethanol using a lint-free cloth.

4 Inserting the new MSM-HC rotor A



CAUTION

An incorrectly inserted MSM rotor A (44-3) can be **destroyed** during start-up.



- Insert the new MSM-HC rotor A (44-3) in the MSM-HC housing (44-4) in such a way that the tubing connections on the rear of MSM-HC rotor A fit into the corresponding recesses inside the MSM-HC housing and one of the three holes of MSM-HC rotor A is visible from below in the slot (44-5) of the MSM-HC housing.
- If the MSM-HC rotor A (44-3) is correctly inserted, its sealing surface will be approx. 4 mm within the MSM-HC housing (44-4). If this is not the case, the MSM-HC rotor A must be moved into the right position from below using a sharp object (e.g. screwdriver).

5 Cleaning the MSM-HC connecting piece

- Clean the sealing surface of the MSM-HC connecting piece (44-2) with ethanol using a lint-free cloth.

6 Inserting the new MSM-HC connecting piece

- Insert the MSM-HC connecting piece (44-2) into the MSM-HC housing (44-4) in such a way that the connector 1 is on top and the three pins of the connecting piece fit into the corresponding recesses on the MSM-HC housing (44-4).
- Reattach the union nut (44-1) onto the coupling and tighten.

7 Connecting and conditioning the MSM-HC

- Reconnect the MSM-HC to the IC system.
- Before switching the MSM-HC over for the first time, rinse the three suppressor units with solution for 5 minutes.

5.12 Peristaltic pump

5.12.1 Operation

The pumping capacity of the peristaltic pump depends on the drive speed (set via software), the contact pressure and, above all, the internal diameter of the pump tubing. Depending on the application, different pump tubings are used.



CAUTION

The service life of the pump tubings also depends on the contact pressure. Therefore fully lift the tubing cartridges by loosening the snap-action lever (31-10) on the right-hand side if the peristaltic pump is to be turned off for a longer period. Once set, the contact pressure remains unaffected.

**CAUTION**

The 6.1826.xxx pump tubings consist of PVC or PP and therefore must not be used for rinsing with solutions containing acetone. In this case, use other pump tubings or use another pump for rinsing.

5.12.2 Maintenance**5.12.2.1 Pump tubings**

Pump tubings used for the peristaltic pump are consumables with a limited lifetime.

LFL pump tubings with three stoppers are inserted into the tubing cartridge in such a way that the cartridge is located between two stoppers. This results in two possible positions for the tubing cartridge. If the pump tubing was to show pronounced signs of wear, you can insert it a second time in the other position.

Replace the pump tubings periodically, approx. every four weeks if used continuously.

Pump tubing selection

Pump tubing can differ in terms of material, diameter and thus flow rate. Different pump tubing is used depending on the application.

The following table shows the properties and areas of application of the pump tubings:

Table 3 Pump tubings

Order number	Name	Material	Inner diameter	Use
6.1826.020	Pump tubing (blue/blue), 2 stoppers	PVC (Tygon® ST)	1.65 mm	Pump tubing for online IC instruments and automation in voltammetry.
6.1826.310	Pump tubing LFL (orange/green), 3 stoppers	PVC (Tygon®)	0.38 mm	Pump tubing for bromate determination using the triiodide method.
6.1826.320	Pump tubing LFL (orange/yellow), 3 stoppers	PVC (Tygon®)	0.48 mm	For acceptor solutions for Inline Dialysis and for Inline Ultrafiltration.
6.1826.330	Pump tubing LFL (orange/white), 3 stoppers	PVC (Tygon®)	0.64 mm	No special applications.



Order number	Name	Material	Inner diameter	Use
6.1826.340	Pump tubing LFL (black/black), 3 stoppers	PVC (Tygon®)	0.76 mm	For sample solution in Inline Dialysis.
6.1826.360	Pump tubing LFL (white/white), 3 stoppers	PVC (Tygon®)	1.02 mm	For sample transfer.
6.1826.380	Pump tubing LFL (gray/gray), 3 stoppers	PVC (Tygon®)	1.25 mm	For Inline Dilution.
6.1826.390	Pump tubing LFL (yellow/yellow), 3 stoppers	PVC (Tygon®)	1.37 mm	For sample solution in Inline Ultrafiltration.

5.12.2.2 Pump tubing connection with filter

The 6.2821.130 filters (45-2) should be changed every 3 months, more frequently at higher backpressure.

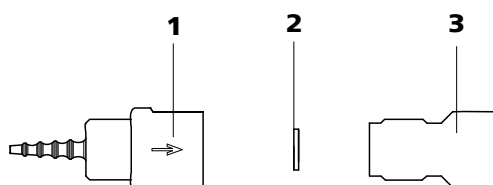


Figure 45 Pump tubing connection – Changing the filter

1 Tubing olive

2 Filter 6.2821.130
Packaging contains 10 items.

3 Filter housing

Replacing the filter

1 Unscrewing filter screw

- Screw the filter screw (45-3) out of the tubing olive (45-1) with the aid of two 6.2621.000 adjustable wrenches.

2 Replacing the filter

- Remove the old filter (45-2) with tweezers.
- Place the new filter (45-2) flat in the tubing olive (45-1) with tweezers.

3 Mounting filter screw

- Screw the filter screw (45-3) back into the tubing olive (45-1) and tighten by hand. Then additionally tighten with two 6.2621.000 adjustable wrenches.

5.13 Separation column

5.13.1 Separating efficiency

Which analysis quality can be attained, depends to a great extent on the separating efficiency of the separation column used. The separating efficiency of the selected separation column must be sufficient for the analysis problems present. If difficulties occur, you should always first check the quality of the separation column by recording a standard chromatogram.

You can find detailed information on the separation columns available from Metrohm in the leaflet provided along with your separation column, in the **Metrohm IC-Column Program** (available via your Metrohm agent) or in the Internet at <http://www.metrohm.com> in the product area Ion chromatography. You can request free information on special IC applications in the corresponding "**Application Bulletins**" or "**Application Notes**", which are available in the Internet at <http://www.metrohm.com> in the Applications area or via the Metrohm agent responsible.

5.13.2 Protection

To protect the separation column against foreign particles, which can affect the separating efficiency, we recommend that both the eluent and the samples undergo a microfiltration (filter 0.45 µm) before being aspirated via the aspiration filter (6.2821.090).

We recommend always to use a guard column (*see chapter 3.22, page 61*). This protects the separation column and considerably increases its service life. Information regarding which guard column is suitable for your separation column can be found in the **Metrohm IC Column Program** (which is available from your Metrohm agent), the leaflet provided along with your separation column, the product information on the separation column at <http://www.metrohm.com> (product area Ion Chromatography) or obtained directly from your agent.

The pulsation absorber (*see chapter 3.14, page 44*) must be installed in order to protect the column material from pressure concussion caused by injection.



5.13.3 Storage

Always store the separation columns sealed and filled according to the data of the column manufacturer when not using them.

5.13.4 Regeneration



NOTICE

The regeneration is considered as the last measure, and not to be carried out regularly.

If the separating properties of the column have deteriorated, the column can be regenerated according to the specifications of the column manufacturer. In the case of separation columns available from Metrohm, the specification for regeneration can be found on the leaflet provided along with each column.

6 Troubleshooting

6.1 Problems and their solutions

Problem	Cause	Remedy
Marked drop in pressure.	<i>Leak in the system.</i>	Check all capillary connections and seal leaks, if necessary (<i>see chapter 3.6, page 17</i>).
The baseline has a large amount of noise.	<i>High pressure pump – contaminated pump valves.</i>	Clean pump valves (<i>see "Cleaning the inlet valve and outlet valve", page 77</i>).
	<i>Eluent – Leakage in eluent path.</i>	Check eluent path.
	<i>Eluent – Blockage in eluent path.</i>	Check eluent path.
	<i>High pressure pump – defective piston seals.</i>	Replace piston seals (<i>see "Replacing the piston seal", page 74</i>).
	<i>Pulsation damper not connected.</i>	Connect the pulsation damper (<i>see Chapter 3.14, Page 44</i>).
The baseline is drifting.	<i>Thermal equilibrium not yet attained.</i>	Condition instrument with the column thermostat (<i>see Chapter 3.17, Page 49</i>) switched on .
	<i>Leak in the system.</i>	Check all capillary connections and seal leaks, if necessary (<i>see chapter 3.6, page 17</i>).
	<i>Eluent – Evaporation of organic solvent in eluent.</i>	<ul style="list-style-type: none"> ▪ Check the eluent bottle cap (<i>see figure 13, page 31</i>). ▪ Stir the eluent.
The pressure in the system markedly increases.	<i>Inline filter (6.2821.120) blocked.</i>	Replace the filter (6.2821.130) (<i>see chapter 5.6, page 82</i>).
	<i>MSM-HC – blocked.</i>	<ul style="list-style-type: none"> ▪ Regenerate the MSM-HC (<i>see chapter 5.11.3.1, page 87</i>). <p>Note: 6.2821.180 pump tubing connection with filter must be used .</p>



Problem	Cause	Remedy
	<i>Guard column – blocked.</i>	Replace guard column (<i>see chapter 3.22, page 61</i>).
	<i>Separation column – blocked.</i>	<ul style="list-style-type: none"> ▪ Regenerate separation column (<i>see chapter 5.13.4, page 96</i>). ▪ Replace separation column (<i>see "Connecting and rinsing the separation column", page 64</i>). <p>Note: Samples should always be microfiltered (<i>see chapter 5.7, page 84</i>).</p>
	<i>Injection valve – valve blocked.</i>	Have the valve cleaned (by Metrohm service technicians).
The retention times in the chromatogram have changed unexpectedly.	<i>Separation column – diminished separating efficiency.</i>	<ul style="list-style-type: none"> ▪ Regenerate separation column (<i>see chapter 5.13.4, page 96</i>). ▪ Replace separation column (<i>see "Connecting and rinsing the separation column", page 64</i>).
	<i>Eluent – Gas bubbles in eluent.</i>	<ul style="list-style-type: none"> ▪ Check the connectors of the eluent degasser (<i>see chapter 3.10, page 33</i>). ▪ Deaerate high-pressure pump .
	<i>High pressure pump – defective.</i>	Request Metrohm Service.
Peak areas are lower than expected.	<i>Sample – leak in the sample path.</i>	Check the sample path.
	<i>Sample – blockage in the sample path.</i>	Check the sample path.
	<i>Sample – sample loop not (completely) filled.</i>	Prolong the sample transfer time.
	<i>Sample – gas bubbles in the sample.</i>	Use sample degasser (<i>see chapter 3.15, page 45</i>).
The peristaltic pump is pumping too little.	<i>Peristaltic pump – contact pressure too weak.</i>	Correctly set contact pressure (<i>see "Set flow rate", page 59</i>).
	<i>Peristaltic pump – filter blocked.</i>	Replace the filter (<i>see chapter 5.12.2.2, page 94</i>).
	<i>Peristaltic pump – pump tubing defective.</i>	Replace pump tubing (<i>see chapter 5.12.2.1, page 93</i>).

Problem	Cause	Remedy
Data of the separation column cannot be read.	<i>Column chip contaminated.</i>	Clean the contact surfaces of the column chip (with alcohol).
	<i>Column chip defective.</i>	1. Save column configuration in MagIC Net™. 2. Notify Metrohm Service.
Individual peaks are greater than expected.	<i>Sample – carry-over of the samples from previous measurement.</i>	Rinse system longer between two samples.
MSM-HC – No (or insufficient) pumping of regeneration or rinsing solution	<i>Leak in the system.</i>	Check connections.
	<i>Peristaltic pump – contact pressure too weak.</i>	Correctly set contact pressure .
	<i>Peristaltic pump – filter blocked .</i>	Replace the filter .
	<i>MSM-HC – backpressure too high.</i>	Clean the MSM-HC (<i>see chapter 5.11.3.2, page 88</i>) or replace parts (<i>see chapter 5.11.3.3, page 91</i>).
	<i>Peristaltic pump – pump tubing defective.</i>	Replace pump tubing .
The background conductivity is too high.	<i>MSM-HC – not connected.</i>	Connecting the MSM-HC (<i>see chapter 3.18, page 52</i>).
	<i>Wrong eluent.</i>	Change the eluent (<i>see chapter 5.4.2.3, page 71</i>).
	<i>MSM-HC – regeneration or rinsing solution flow problems.</i>	Check the flow of the regeneration and rinsing solution (<i>see chapter 3.18.2, page 52</i>).
The retention times are poorly reproducible.	<i>Eluent – Leakage in eluent path.</i>	Check eluent path.
	<i>Eluent – Blockage in eluent path.</i>	Check eluent path.
	<i>Eluent – Gas bubbles in eluent.</i>	<ul style="list-style-type: none"> ▪ Check the connectors of the eluent degasser (<i>see chapter 3.10, page 33</i>). ▪ Deaerate high-pressure pump .
Baseline increasing strongly.	<i>MSM-HC – reduced capacity.</i>	Regenerate the MSM-HC (<i>see chapter 5.11.3.1, page 87</i>).



Problem	Cause	Remedy
Chromatograms have poor resolution	<i>Separation column – diminished separating efficiency.</i>	<ul style="list-style-type: none"> ▪ Regenerate separation column (<i>see chapter 5.13.4, page 96</i>). ▪ Replace separation column (<i>see "Connecting and rinsing the separation column", page 64</i>).
Extreme spread of the peaks in the chromatogram. Splitting (dual peaks)	<i>Capillary connections – dead volume in the system.</i>	Check connections (<i>see chapter 3.6, page 17</i>) (use PEEK capillaries with an internal diameter of 0.25 mm between the injection valve and detector).
	<i>Guard column – diminished performance.</i>	<ul style="list-style-type: none"> ▪ Replace guard column (<i>see chapter 3.22, page 61</i>).
	<i>Separation column – dead volume at column head.</i>	<ul style="list-style-type: none"> ▪ Install the separation column in reverse flow direction (if permitted by the leaflet) and rinse into a beaker. ▪ Replace separation column (<i>see "Connecting and rinsing the separation column", page 64</i>).
Precision problems - the measured values are highly scattered.	<i>Sample – gas bubbles in the sample.</i>	Use sample degasser (<i>see chapter 3.15, page 45</i>).
	<i>Injection valve – sample loop.</i>	Check installation of the sample loop (<i>see chapter 3.16.1, page 47</i>).
	<i>Sample – rinsing volume too low.</i>	Increase rinsing time (<i>see chapter 5.8, page 84</i>).
	<i>Injection valve – defective.</i>	Request Metrohm Service.
Vacuum is not being built	<i>Eluent degasser – Vacuum connector on the rear of the instrument not (tightly) sealed.</i>	<ul style="list-style-type: none"> ▪ Seal the Vacuum connector tightly with a threaded stopper (6.1446.040).

7 Technical specifications

7.1 Reference conditions

The technical specifications listed in this chapter refers to the following reference conditions:

<i>Ambient temperature</i>	+25 °C (± 3 °C)
<i>Instrument status</i>	> 40 minutes in operation (equilibrated)

7.2 Device

<i>IC system</i>	<ul style="list-style-type: none"> ▪ Metal-free IC system ▪ Compact system with modular design ▪ Up to two complete chromatographic systems in one housing
<i>Material</i>	Painted polyurethane hard foam without CFCs, fire class V0
<i>Operating pressure range</i>	<ul style="list-style-type: none"> ▪ 0...50 MPa (500 bar) high pressure pump ▪ 0...35 MPa (350 bar) standard-PEEK system
<i>Intelligent components</i>	iPump, iDetector, iColumn, MagIC Net

7.3 Leak sensor

<i>Type</i>	Electronic, no calibration necessary
-------------	--------------------------------------

7.4 Ambient conditions

<i>Operation</i>	
<i>Ambient temperature</i>	+5...+45 °C
<i>Humidity</i>	20...80 % relative humidity
<i>Storage</i>	
<i>Ambient temperature</i>	-20...+70 °C
<i>Transport</i>	
<i>Ambient temperature</i>	-40...+70 °C



7.5 Housing

Dimensions

<i>Width</i>	365 mm
<i>Height</i>	642 mm
<i>Depth</i>	380 mm

Material of base tray, housing and flask holder Polyurethane hard foam (PUR) with flame retardation for fire class V0, CFC-free, painted

Operating elements

<i>Indicators</i>	LED for power display
<i>On/Off switch</i>	On the rear of the instrument

7.6 Eluent degasser

<i>Material</i>	Fluoropolymer
<i>Resistance to solvents</i>	No restriction (except PFC)
<i>Time to establish vacuum</i>	< 60 s

7.7 Low pressure gradient

<i>Profile</i>	Step, linear, convex and concave
<i>Valve type</i>	Normally-closed
<i>Degasser</i>	One eluent degasser each for each of the three eluents.

7.8 High pressure pump

<i>Type</i>	<ul style="list-style-type: none"> ▪ Serial dual-piston pump ▪ Intelligent pump head recognition ▪ Chemically inert ▪ Metal-free pump heads ▪ Materials in contact with eluent: PEEK, ZrO₂, PTFE/PE ▪ Self-optimizing flow and pressure
<i>Flow rate</i>	
<i>Adjustable flow range</i>	0.001...20.0 mL/min
<i>Flow increment</i>	1 µL/min with standard pump head
<i>Reproducibility of the eluent flow</i>	< 0.1 % deviation
<i>Pressure range</i>	
<i>Pump</i>	0...50.0 MPa (0...500 bar)
<i>Pump head</i>	0...35.0 MPa (0...350 bar) (applies for the standard PEEK pump head)
<i>Residual pulsation</i>	< 1 %
<i>Safety shutdown</i>	
<i>Function</i>	Automatic shutdown upon reaching the pressure limit values
<i>Maximum pressure limit</i>	<ul style="list-style-type: none"> ▪ Adjustable from 0.1...50 MPa (1...500 bar) ▪ The pump is automatically shut down at the first piston stroke above the maximum limit value
<i>Minimum pressure limit</i>	<ul style="list-style-type: none"> ▪ Adjustable from 0...49 MPa (0...490 bar) ▪ The shutdown mechanism is inactive at 0 MPa ▪ The shutdown mechanism only becomes active 2 minutes after system start ▪ The pump is automatically shut down after 3 piston strokes below the minimum pressure limit



7.9 Sample degasser

<i>Material</i>	Fluoropolymer
<i>Resistance to solvents</i>	No restriction (except PFC)
<i>Time to establish vacuum</i>	< 60 s

7.10 Injection valve

<i>Actuator time</i>	typ. 100 ms
<i>Max. operating pressure</i>	35 MPa (350 bar)
<i>Material</i>	PEEK

7.11 Column thermostat

<i>Type</i>	Peltier technique thermostat for two intelligent separation columns
<i>Adjustable temperature range</i>	0...+ 80 °C, in increments of 0.1 °C
<i>Heating</i>	Ambient temperature +50 °C
<i>Cooling</i>	Ambient temperature –20 °C
<i>Temperature reproducibility</i>	± 0.2 °C
<i>Stability</i>	< 0.05 °C
<i>Heating up time</i>	< 30 minutes from 20 to 50 °C
<i>Cooling time</i>	< 40 minutes from 50 to 20 °C

7.12 High Capacity Metrohm Suppressor Module (MSM-HC)

<i>Resistance to solvents</i>	No restriction
<i>Switching time</i>	typ.100 ms
<i>Operating pressure</i>	2.5 MPa (25 bar), valve function prevents damage at overpressure

7.13 Peristaltic pump

<i>Type</i>	2-channel peristaltic pump
<i>Rotating direction</i>	Counterclockwise/Clockwise rotation
<i>Rotational speed</i>	0...42 rpm in 7 stages at 6 rpm.
<i>Pumping properties</i>	0.3 mL/min at 18 rpm; with 6.1826.320 standard pump tubing.
<i>Material of pump tubings</i>	recommended: Tygon Long Flex Life

7.14 Power connection

<i>Required supply voltage</i>	100 - 240 V \pm 10% (autosensing)
<i>Required frequency</i>	50 - 60 Hz \pm 3 Hz (autosensing)
<i>Power consumption</i>	<ul style="list-style-type: none"> ▪ 65 W for typical analysis application ▪ 25 W standby (conductivity detector to 40 °C)
<i>Power supply unit</i>	<ul style="list-style-type: none"> ▪ Up to 300 W maximum, electronically monitored ▪ Internal fuse 3.15 A



7.15 Interfaces

USB

- Entry* 1 USB upstream, type B (for connection to the PC)
Exit 2 USB downstream, type A

MSB

- 2 MSB 8-pin Mini DIN (female) (for Dosino, stirrer, remote lines, etc.)



CAUTION

When connecting an instrument to the MSB connector you **must** switch off the 850 Professional IC.

Detector

- 2 15-pin high-density DSUB (female)

Column recognition

- 3 (including 2 in the column thermostat (*see chapter 3.17, page 49*))

Leak sensor

- 1 jack plug

Further connections

- 1 15-pin DSUB (female)

7.16 Weight

1.850.2250 28.9 kg (without accessories)

Transport carriage
(rollers and handle) 1.8 kg

8 Accessories

Up-to-date information on the scope of delivery and optional accessories for your product can be found on the Internet. You can download this information using the article number as follows:

Downloading the accessories list

- 1** Enter <https://www.metrohm.com/> into your Internet browser.
- 2** Enter the article number (e.g. **2.850.2250**) into the search field.
The search result is displayed.
- 3** Click on the product.
Detailed information regarding the product is shown on various tabs.
- 4** On the **Included parts** tab, click on **Download the PDF**.
The PDF file with the accessories data is created.



NOTICE

Once you have received your new product, we recommend downloading the accessories list from the Internet, printing it out and keeping it together with the manual for reference purposes.



Index

(6.2821.130) Filter 82
6.2821.090 aspiration filter 71

A

Ambient conditions 101
Aspiration filter 6.2821.090 71
Aspiration tubing for eluent 29

B

Baseline
 Conditioning 67
 Unstable 72
Blood 84

C

Cable feed-throughs 26
Capillaries
 Installation 17
Capillary feed-throughs 26
Carry-over 84
Cleaning
 MSM-HC 89
 Valves of the high pressure pump 77
Column
 see also "Separation column"
 63
Column recognition 106
Column thermostat
 Column thermostat 104
 Installation 49
Computer connection 60
Conditioning 67
Connect
 Power grid 60
 To computer 60
Connection
 Mains 105
Connections
 Installation 17
Contamination
 High pressure pump 71
 Valves in the high pressure pump 72
Contamination MSM-HC
 Heavy metals 87
Crystallization
 High pressure pump 71

D

Deaerating
 High pressure pump 41
 Purge valve 39
Degasser
 Eluent degasser 33
 Sample degasser 45
Degassing
 Eluent 33
Detector
 Cable connector 23
 Interface 106
 Positioning 23
Diagram 15
Dilution 84
Dimensions 102
Door 70
Drainage tubings
 Installation 24

E

Electrostatic charge 5
Eluent
 Aspirate 29
 Change 71
 Production 70
Eluent bottle
 Figure 32
 Installation 29
 Operation 71
Eluent degasser
 Installation 33
 Technical specifications 102
Equilibration 65, 67

F

Feed-throughs
 Capillaries 26
Fill
 Injection valve 49
Filter
 see also "inline filter" 43
Filter (6.2821.130) 82
Filter 6.2821.090
 Aspiration filter 71
Flow fluctuations 72
Flow increment 103
Flow range 103
Flow rate 103
Frequency 105

G

Gas 33, 45
Guard column
 Installation 61
 Rinsing 62

H

Handle 20
Heating
 see also "Column thermostat"
 49
Heavy metals
 Contamination of the MSM-HC
 87
High Capacity Metrohm Suppressor Module
 see also "MSM-HC" 52
High pressure pump
 Installation 39
 Maintenance 71
 Protection 23, 71
 Technical specifications 103
 Tubing connection 39
 Valves 80
Housing 102
Humidity 101

I

IC column
 see also "Separation column"
 63
Impurity MSM-HC
 Organic 87
Initial installation 11
Inject
 Injection valve 49
Injection valve 2
 Fill 49
 Inject 49
 Installation 47, 104
 Maintenance 86
 Protection 86
Inline filter 43
Inline sample preparation 84
Installation 15
 Column thermostat 49
 Connections 17
 Drainage tubings 24
 Eluent bottle 29
 Eluent degasser 33

- Guard column 61
 High pressure pump 39
 Initial installation 11
 Injection valve 47, 104
 Leak sensor 23
 Low pressure gradient 14
 MSM-HC 52
 Peristaltic pump 56
 Pulsation absorber 44
 Pump tubings 56
 Sample degasser 45
 Separation column 63
- Interface
 MSB 106
 USB 106
- Interfaces 106
 Further connections 106
 Leak sensor 106
- L**
 Leak 72
 Leak sensor
 Connection socket 10
 Installation 23
 Interface 106
 Technical specifications 101
 Leak-tightness 66, 67
 Leaking piston seals 72
 Loop
 see also "Sample loop" 49
 Low pressure gradient
 Installation 14
- M**
 Mains connection
 Mains connection socket 9
 Maintenance
 High pressure pump 71
 Injection valve 86
 MSM-HC 86
 Peristaltic pump 92
 Pump head 72
 Material 102
 MPak
 Holder 22
 MSB 106
 Connectors 10
 MSM-HC
 Cleaning 89
 Installation 52
 Maintenance 86
 Operation 86
 Protection 86
 Regeneration 87
- Replacing parts 91
 Switching 87
 Technical specifications 105
- O**
 Oil 84
 Operation
 MSM-HC 86
 Peristaltic pump 92
 Sample degasser 86
 Organic impurities
 MSM-HC 87
 Overview of the instrument 7
 Front 7
 Rear 9
- P**
 Peristaltic pump
 Installation 56
 Maintenance 92
 Operation 92
 Principle 55
 Technical specifications 105
 Piston seal 72
 Pistons of the high pressure pump
 72
 Power connection 60, 61, 105
 Power consumption 105
 Power supply unit 105
 Precipitates 71
 Pressure limit 103
 Pressure range 103
 Pressure screws
 Connection 18
 Protection
 Injection valve 86
 Inline filter 43
 MSM-HC 86
 Pulsation 72
 Pulsation absorber
 Installation 44
 Pump head
 Maintenance 72
 Pump tubings
 Installing 56
 Overview 93
 Service life 92
 Purge valve 39
- R**
 Reference conditions 101
 Regeneration 68
 MSM-HC 87
 Rinsing
 Guard column 62
- Pump tubings 93
 Sample path 84
 Separation column 64
 Rinsing time 85
 Rise in pressure 71
 Rollers 20
- S**
 Safety instructions 4
 Safety shutdown 103
 Sample
 Carry-over 84
 Sample loop 49
 Transfer time 85
 Sample degasser
 Installation 45
 Operation 86
 Technical specifications 104
 Sample loop 49
 Sample path
 Rinsing 84
 Sample preparation 84
 Screws
 Connection 18
 Separation column
 Installation 63
 Protection 2, 44, 95
 Regeneration 96
 Rinsing 64
 Separating efficiency 95
 Storage 96
 Service 4, 68
 Shutting down 69
 Start-up 65
 Storage 101
 Supply voltage 5, 105
 Suppressor
 Maintenance 86
 Operation 86
- T**
 Technical data
 Column thermostat 104
 Technical specifications
 Detector 106
 Eluent degasser 102
 High pressure pump 103
 Interfaces 106
 Leak sensor 101
 Peristaltic pump 105
 Reference conditions 101
 Sample degasser 104
 Technical Specifications
 MSM-HC 105

Index

Temperature 101
Thermostat
 see also "Column thermostat"
 49
Transfer time 85
Transport 101
 Rollers 20
Transport locking screws 23
Tubing 15

Tubing pump
 See also "Peristaltic pump" . 55
Tubings
 Installation 17

U

USB 106
 Connectors 10

V

Vacuum pump
 Protection 23
Valve
 see also "Injection valve" 47
Valves of the high pressure pump
 80