

850 Professional IC



Anion – MCS – Prep 1 – 2.850.2110

Manual

8.850.8047EN / 2019-11-28



Metrohm AG

CH-9100 Herisau

Switzerland

Phone +41 71 353 85 85

Fax +41 71 353 89 01

info@metrohm.com

www.metrohm.com

850 Professional IC

Anion – MCS – Prep 1 – 2.850.2110

Manual

Technical Communication
Metrohm AG
CH-9100 Herisau
techcom@metrohm.com

This documentation is protected by copyright. All rights reserved.

This documentation has been prepared with great care. However, errors can never be entirely ruled out. Please send comments regarding possible errors to the address above.

Table of contents

1	Introduction	1
1.1	Instrument description	1
1.2	Intended use	4
1.3	About the documentation	5
1.3.1	Symbols and conventions	5
1.4	Safety instructions	6
1.4.1	General notes on safety	6
1.4.2	Electrical safety	6
1.4.3	Tubing and capillary connections	7
1.4.4	Flammable solvents and chemicals	8
1.4.5	Recycling and disposal	8
2	Installation	9
2.1	About this chapter	9
2.2	Initial installation	9
2.3	Flow diagram	10
2.4	Setting up the instrument	16
2.4.1	Packaging	16
2.4.2	Checks	16
2.4.3	Location	16
2.5	Capillary connections in the IC system	16
2.6	Rear of the instrument	19
2.6.1	Rollers and handle	19
2.6.2	Positioning and connecting the detector	22
2.6.3	Transport locking screws	22
2.6.4	Leak sensor	22
2.6.5	Drainage tubings	23
2.7	Capillary and cable feed-throughs	25
2.8	Eluent	28
2.8.1	Connecting the eluent bottle	28
2.9	Eluent degasser	32
2.10	High pressure pump	34
2.10.1	Capillary connections high pressure pump/purge valve	34
2.10.2	Deaerating the high pressure pump	36
2.11	Inline filter	38
2.12	Pulsation absorber	39
2.13	Sample degasser	40



2.14	Injection valve	42
2.14.1	Connecting the injection valve	42
2.14.2	Mode of operation of the injection valve	43
2.14.3	Selecting the sample loop	44
2.15	Column thermostat	44
2.16	Metrohm Suppressor Module (MSM)	47
2.16.1	General information on the MSM	47
2.16.2	Connecting the MSM	47
2.17	Peristaltic pump	50
2.17.1	Principle of the peristaltic pump	50
2.17.2	Installing the peristaltic pump	51
2.18	Metrohm CO₂ Suppressor (MCS)	55
2.18.1	General information on the MCS	55
2.18.2	Connecting the MCS	55
2.18.3	Installing adsorption cartridges	56
2.19	Conductivity detector	59
2.20	Connecting the instrument to a computer	61
2.21	Connecting the instrument to the power grid	62
2.22	Guard column	63
2.23	Separation column	64
3	Start-up	67
3.1	Initial start-up	67
3.2	Conditioning	68
4	Operation and maintenance	70
4.1	General notes	70
4.1.1	Care	70
4.1.2	Maintenance by Metrohm Service	70
4.1.3	Operation	71
4.1.4	Shutting down	71
4.2	Capillary connections	71
4.2.1	Operation	71
4.3	Door	72
4.4	Eluent	72
4.4.1	Production	72
4.4.2	Operation	73
4.5	High pressure pump	73
4.5.1	Protection	73
4.5.2	Maintenance	74
4.6	Inline filter	84
4.6.1	Maintenance	84

4.7	Inline sample preparation	86
4.8	Rinsing the sample path	86
4.9	Sample degasser	88
4.9.1	Operation	88
4.10	Injection valve	88
4.10.1	Protection	88
4.11	Metrohm Suppressor Module (MSM)	88
4.11.1	Protection	88
4.11.2	Operation	88
4.11.3	Maintenance	89
4.12	Peristaltic pump	94
4.12.1	Operation	94
4.12.2	Maintenance	95
4.13	Metrohm CO₂ Suppressor (MCS)	97
4.13.1	Replacing the CO ₂ adsorption cartridge	97
4.13.2	Regenerating the H ₂ O adsorption cartridge	97
4.14	Conductivity detector	98
4.14.1	Maintenance	98
4.15	Separation column	99
4.15.1	Separating efficiency	99
4.15.2	Protection	99
4.15.3	Storage	99
4.15.4	Regeneration	100
5	Troubleshooting	101
5.1	Problems and their solutions	101
6	Technical specifications	106
6.1	Reference conditions	106
6.2	Device	106
6.3	Leak sensor	106
6.4	Ambient conditions	106
6.5	Housing	107
6.6	Eluent degasser	107
6.7	High pressure pump	107
6.8	Sample degasser	108
6.9	Injection valve	108
6.10	Column thermostat	109
6.11	Metrohm Suppressor Module (MSM)	109
6.12	Peristaltic pump	109



6.13	Metrohm CO ₂ Suppressor (MCS)	110
6.14	Conductivity measuring system	110
6.15	Power connection	111
6.16	Interfaces	111
6.17	Weight	112
7	Accessories	113
	Index	114

Table of figures

Figure 1	Front view of the instrument	2
Figure 2	Flow diagram with dialysis	12
Figure 3	Flow diagram with ultrafiltration	14
Figure 4	Connection of capillaries with pressure screws	17
Figure 5	Rollers and handle	20
Figure 6	Handle as MPak holder	21
Figure 7	Connection of the leak sensor on the rear of the instrument	23
Figure 8	Drainage tubings	24
Figure 9	Capillary feed-throughs on the door	26
Figure 10	Capillary feed-throughs base tray/flask holder	27
Figure 11	Installing the eluent bottle cap	29
Figure 12	Mounting the aspiration filter	29
Figure 13	Installing the tubing weighting and aspiration filter	30
Figure 14	Eluent aspiration tubing fully equipped	30
Figure 15	Eluent bottle – connected	31
Figure 16	Eluent degasser	33
Figure 17	Capillary connections high pressure pump/purge valve	34
Figure 18	High pressure pump – Connect inlet	35
Figure 19	Deaerate the high pressure pump	37
Figure 20	Connecting the inline filter	39
Figure 21	Pulsation absorber – Connection	40
Figure 22	Sample degasser	41
Figure 23	Injection valve – connected	42
Figure 24	Injection valve – Positions	43
Figure 25	Column thermostat	45
Figure 26	MSM – connections	48
Figure 27	Peristaltic pump	50
Figure 28	Installing the pump tubing	51
Figure 29	Install pump tubing connection with filter	52
Figure 30	Install pump tubing connection without filter	53
Figure 31	MCS – Connection	55
Figure 32	Adsorption cartridge holder	57
Figure 33	Conductivity detector front	59
Figure 34	Conductivity detector rear	60
Figure 35	Connection detector – MCS	61
Figure 36	Pump head – removing the piston	75
Figure 37	Components of the piston cartridge	76
Figure 38	Tool for piston seal	77
Figure 39	Removing the piston seal	78
Figure 40	Inserting the piston seal into the tool	78
Figure 41	Inserting the piston seal into the pump head	79
Figure 42	Removing valves	80
Figure 43	Dismantling valve	81
Figure 44	Components of the inlet valve and outlet valve	82
Figure 45	Change filters (of the inline filter)	84



Figure 46	MSM – Components	91
Figure 47	Pump tubing connection – Changing the filter	96

1 Introduction

1.1 Instrument description

The instrument **850 Professional IC – Anion – MCS – Prep 1** (2.850.2110) is one of the model versions of the Professional IC line of instruments manufactured by the Metrohm Company. The Professional IC line of instruments is distinguished by

- the **intelligence** of its components, which are able to monitor and optimize all functions and to provide documentation according to FDA requirements.
- its **compactness**.
- its **flexibility**. A suitable model version exists for every application. Individual instruments can be converted, expanded or modified to create a different instrument as needed.
- its **transparency**. All components are easily accessible and arranged in a clear manner.
- its **safety**. Chemicals and electronics are separated and a leak sensor is integrated in the wet end.
- its **environmental compatibility**.
- **low noise emission**.

The instrument is operated with **MagIC Net** software. It is connected via a USB connection to a PC on which MagIC Net is installed. The software automatically recognizes the instrument and checks its functional readiness. MagIC Net controls and monitors the instrument, evaluates the measured data and administers it in a database. The operation of MagIC Net is described in the online help or in the tutorial for MagIC Net.

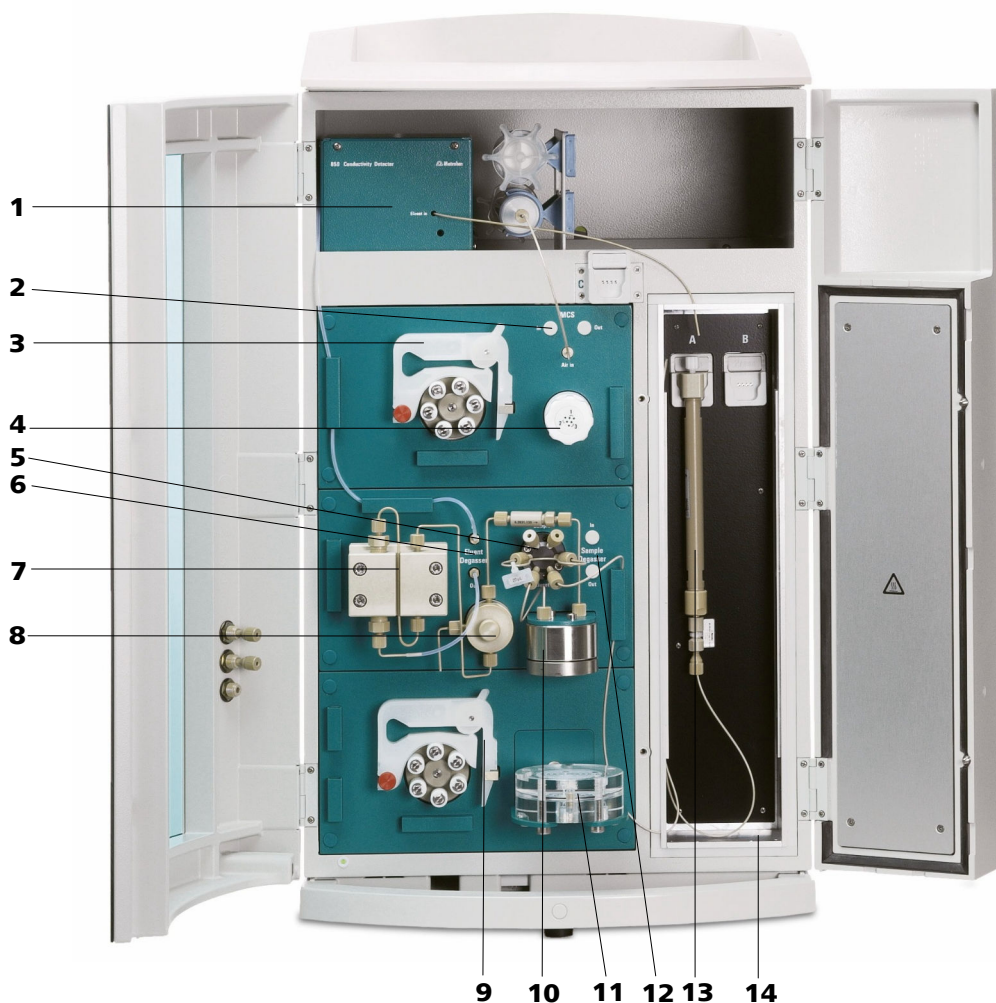


Figure 1 Front view of the instrument

<p>1 Conductivity detector See Chapter 2.19.</p>	<p>2 MCS See Chapter 2.18.</p>
<p>3 Peristaltic pump For suppression. See Chapter 2.17.</p>	<p>4 MSM See Chapter 2.16.</p>
<p>5 Injection valve See Chapter 2.14.</p>	<p>6 Eluent degasser See Chapter 2.9.</p>
<p>7 High pressure pump See Chapter 2.10.</p>	<p>8 Purge valve See Chapter 2.10.1.</p>
<p>9 Peristaltic pump For sample preparation. See Chapter 2.17.</p>	<p>10 Pulsation damper See Chapter 2.12.</p>

11 Dialysis cell or ultrafiltration cell

Is **not** included in the scope of delivery of the 2.850.2110. Can be ordered as optional accessories (as individual cell or with equipment).

13 Separation column

See Chapter 2.23.

12 Sample degasser

See Chapter 2.13. Use optional.

14 Column thermostat

See Chapter 2.15.

The instrument contains the following components:

Eluent degasser

The eluent degasser removes gas bubbles and dissolved gases from the eluent. For degassing, the eluent flows into a vacuum chamber through a special fluoropolymer capillary.

High pressure pump

The intelligent and low pulsation high pressure pump pumps the eluent through the system. It is equipped with a chip on which its technical specifications and "life history" (operating hours, service data, ...) are saved.

Inline filter

Inline filters protect the separation column securely against possible contamination from the eluent. Inline filters can however also just as well be used for the purpose of protecting other sensitive components against contaminations in the solutions used. The filter platelets with a pore size of 2 µm can be replaced quickly and easily. They remove particles like e. g. bacteria and algae from the solutions.

Pulsation absorber

The pulsation absorber protects the separation column from damage caused by pressure fluctuations when switching the injection valve, and reduces interfering pulsations during highly sensitive measurements.

Sample degasser

The sample degasser removes gas bubbles and dissolved gases from the sample. For degassing, the sample flows into a vacuum chamber through a special fluoropolymer capillary.

Injection valve

The injection valve connects the eluent and sample path through rapid and precise valve switchover. A precisely measured amount of sample solution is injected and rinsed with eluent onto the separation column.

Column thermostat

The column thermostat controls the temperature of the column and eluent channel and thus ensures stable measuring conditions. It provides space for 2 separation columns.



Metrohm Suppressor Module (MSM)

The MSM is used for chemical suppression during anion analysis. It is pressure-stable, robust and resistant to solvents.

Peristaltic pump

The Peristaltic pump is used for pumping sample and auxiliary solutions. It can rotate in both directions.

Metrohm CO₂ Suppressor (MCS)

The Metrohm CO₂ Suppressor (MCS) removes the CO₂ from the eluent stream. This lowers the background conductivity, improves detection sensitivity and minimizes the injection peak and carbonate peak.

Conductivity detector

The conductivity detector continuously measures the conductivity of the liquid passing through and indicates these signals in digital form (DSP – Digital Signal Processing). The conductivity detector exhibits outstanding thermal stability and thus guarantees reproducible measuring conditions.

Separation column

The intelligent separation column is the heart of the ion chromatographic analysis. It separates the different components corresponding to their interactions with the column. Metrohm separation columns are equipped with a chip on which their technical specifications and their history (first use / setting up, operating hours, injections, ...) are saved.

1.2 Intended use

The instrument **850 Professional IC – Anion – MCS – Prep 1** is used for ion chromatographic determination of anions or polar substances with **sequential suppression**:

- Chemical suppression with the Metrohm Suppressor Module (MSM) (*see chapter 2.16, page 47*) and subsequent
- CO₂ suppression with the Metrohm CO₂ Suppressor (MCS) (*see chapter 2.18, page 55*).

The use of sequential suppression reduces background conductivity to a minimum.

If required, the instrument can also be used for the determination of cations or anions without suppression.

The peristaltic pump and the holder in the lower part of the instrument are used for the **inline sample preparation** – e.g. for *Dialysis* or *Ultrafiltration*. Metrohm offers special equipment for dialysis (6.5330.000) and ultrafiltration (6.5330.010) in which the respective cell is also contained.

The present instrument is suitable for processing chemicals and flammable samples. The usage of the 850 Professional IC – Anion – MCS – Prep 1 therefore requires that the user has basic knowledge and experience in the handling of toxic and caustic substances. Knowledge with respect to the application of the fire prevention measures prescribed for laboratories is also mandatory.

1.3 About the documentation







CAUTION

Please read through this documentation carefully before putting the instrument into operation. The documentation contains information and warnings which have to be followed by the user in order to ensure safe operation of the instrument.

1.3.1 Symbols and conventions

The following symbols and styles are used in this documentation:

(5-12)	<p>Cross-reference to figure legend</p> <p>The first number refers to the figure number, the second to the instrument part in the figure.</p>
1	<p>Instruction step</p> <p>Carry out these steps in the sequence shown.</p>
	<p>Warning</p> <p>This symbol draws attention to a possible life hazard or risk of injury.</p>
	<p>Warning</p> <p>This symbol draws attention to a possible hazard due to electrical current.</p>
	<p>Warning</p> <p>This symbol draws attention to a possible hazard due to heat or hot instrument parts.</p>
	<p>Warning</p> <p>This symbol draws attention to a possible biological hazard.</p>



	<p>Caution</p> <p>This symbol draws attention to a possible damage of instruments or instrument parts.</p>
	<p>Note</p> <p>This symbol marks additional information and tips.</p>

1.4 Safety instructions

1.4.1 General notes on safety



WARNING

Operate this instrument only according to the information contained in this documentation.

This instrument left the factory in a flawless state in terms of technical safety. To maintain this state and ensure non-hazardous operation of the instrument, the following instructions must be observed carefully.

1.4.2 Electrical safety

The electrical safety when working with the instrument is ensured as part of the international standard IEC 61010.



WARNING

Only personnel qualified by Metrohm are authorized to carry out service work on electronic components.



WARNING

Never open the housing of the instrument. The instrument could be damaged by this. There is also a risk of serious injury if live components are touched.

There are no parts inside the housing which can be serviced or replaced by the user.

Supply voltage



WARNING

An incorrect supply voltage can damage the instrument.

Only operate this instrument with a supply voltage specified for it (see rear panel of the instrument).

Protection against electrostatic charges



WARNING

Electronic components are sensitive to electrostatic charges and can be destroyed by discharges.

Do not fail to pull the power cord out of the power socket before you set up or disconnect electrical plug connections at the rear of the instrument.

1.4.3 Tubing and capillary connections



CAUTION

Leaks in tubing and capillary connections are a safety risk. Tighten all connections well by hand. Avoid applying excessive force to tubing connections. Damaged tubing ends lead to leakage. Appropriate tools can be used to loosen connections.

Check the connections regularly for leakage. If the instrument is used mainly in unattended operation, then weekly inspections are mandatory.



1.4.4 Flammable solvents and chemicals

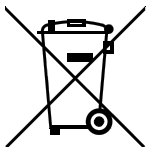


WARNING

All relevant safety measures are to be observed when working with flammable solvents and chemicals.

- Set up the instrument in a well-ventilated location (e.g. fume cupboard).
- Keep all sources of flame far from the workplace.
- Clean up spilled liquids and solids immediately.
- Follow the safety instructions of the chemical manufacturer.

1.4.5 Recycling and disposal



This product is covered by European Directive 2012/19/EU, WEEE – Waste Electrical and Electronic Equipment.

The correct disposal of your old instrument will help to prevent negative effects on the environment and public health.

More details about the disposal of your old instrument can be obtained from your local authorities, from waste disposal companies or from your local dealer.

2 Installation

2.1 About this chapter

The *Installation* chapter contains

- a list of all the steps to be carried out during the initial installation (*see chapter 2.2, page 9*).
- a schematic overview of the flow paths (*see chapter 2.3, page 10*).
- a description of the construction, connections and functionality of the instrument.
- step-by-step installation instructions. A part of these installation tasks has already been carried out before delivery. They are nevertheless described here in case they need to be carried out once again some time in the future (e.g. after maintenance of the high pressure pump).

2.2 Initial installation



NOTICE

A large number of the capillary connections are already connected at the time the instrument is delivered.

The following steps still have to be carried out after delivery:

- 1** Setting up the instrument (*see chapter 2.4, page 16*).
- 2** Remove handle and rollers (*see chapter 2.6.1, page 19*).
- 3** Place the detectors in the instrument and connect them (*see chapter 2.6.2, page 22*).
- 4** Remove transport locking screws (*see chapter 2.6.3, page 22*).
- 5** Connect the leak sensor (*see chapter 2.6.4, page 22*).
- 6** Connect drainage tubings (*see chapter 2.6.5, page 23*).
- 7** Connect the eluent bottle (*see chapter 2.8.1, page 28*).



- 8** Install sample path connections.
 - Connect the sample degasser (if required) (*see chapter 2.13, page 40*).
 - Installing sample preparation (*see chapter 2.3, page 10*).
 - Connect sample path connections to the injection valve (*see chapter 2.14.2, page 43*).
- 9** Installing the MSM (*see chapter 2.16, page 47*) – with associated peristaltic pump (*see chapter 2.17, page 50*).
- 10** Connect the MCS (*see chapter 2.18.2, page 55*).
- 11** Connect detector capillaries (*see chapter 2.19, page 59*).
- 12** Mains connection .
- 13** Connect the instrument to the PC .
- 14** Initial start-up (*see chapter 3.1, page 67*).
- 15** Install the guard column (if used) (*see chapter 2.22, page 63*).
- 16** Install the separation column (*see chapter 2.23, page 64*).

2.3 Flow diagram

Figure 2 Flow diagram with dialysis and Figure 3 Flow diagram with ultra-filtration show the flow paths for two with the 2.850.2110 performable inline sample preparation technologies. The paths for sequential suppression (MSM (2-**9**) and MCS (2-**10**)) are also shown for both approaches. Liquid containers (eluent bottle, sample vessel, waste container, auxiliary solutions container) and guard column are not shown in the diagram (*see chapter 2.22, page 63*). The arrangement of the modules in the diagram corresponds to the front view of the instrument. Which pressure screws, connections and couplings are used, is described in the installation chapters of the individual modules.

Dialysis

This inline sample preparation technology is applied for samples with strong matrices, e. g. emulsions, samples containing fat and protein, body fluids or heavily contaminated waste waters. The dialysis effectively

removes particles and colloids, thus preventing damage to the separation column.

The driving force in dialysis is diffusion. Only ions can pass through the dialysis membrane. In contrast to filtration, the membrane also holds back other substances during dialysis, e. g. drops of oil, thus protecting the separation column against them.

A more detailed description of the functionality of dialysis can be obtained from the documentation to the **IC equipment for dialysis** (6.5330.000).

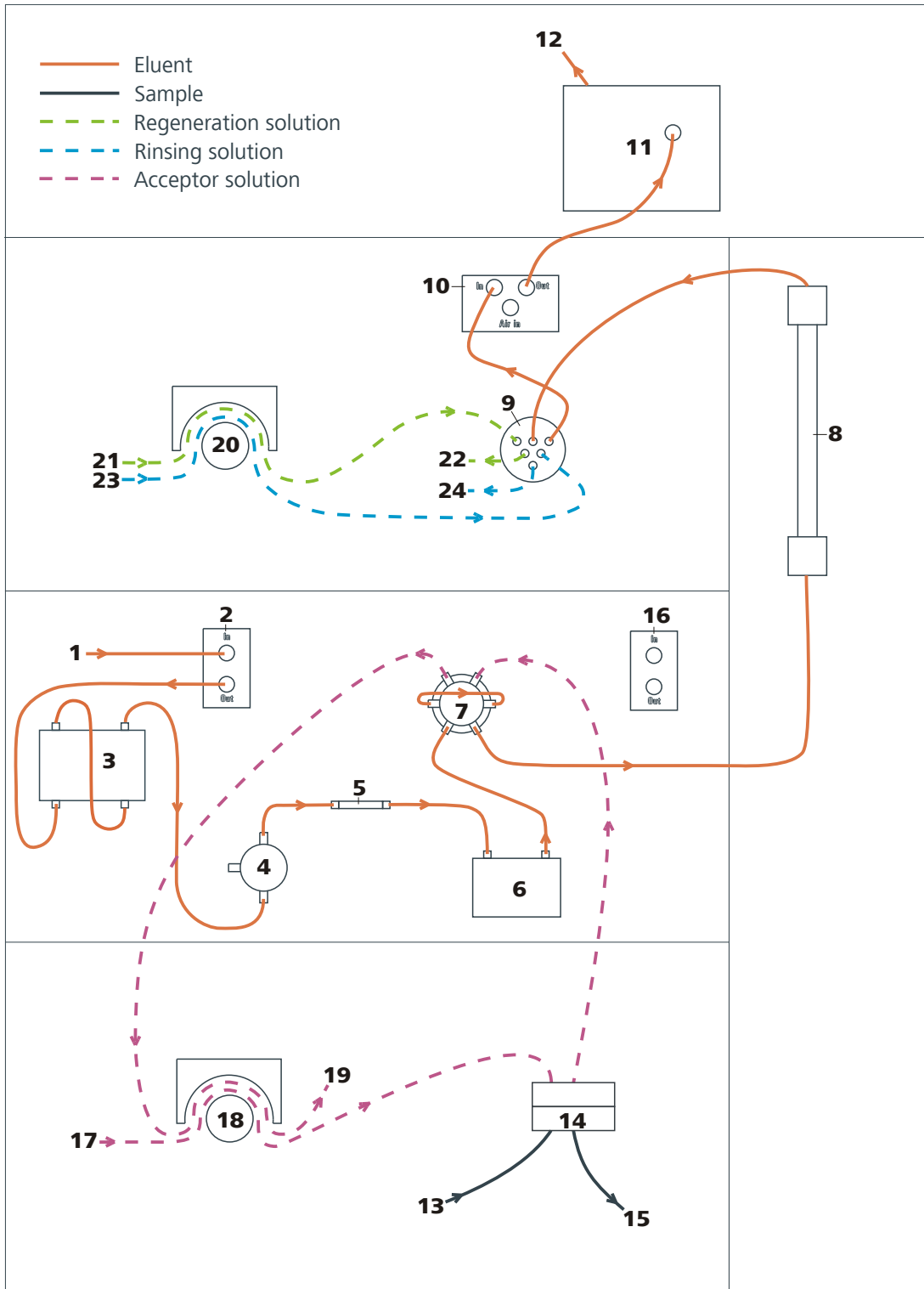


Figure 2 Flow diagram with dialysis

1 Eluent input

Connection to the eluent bottle (see chapter 2.8.1, page 28).

2 Eluent degasser

See Chapter 2.9.

3 High pressure pump <i>See Chapter 2.10.</i>	4 Purge valve <i>See Chapter 2.10.1.</i>
5 Inline filter <i>See Chapter 2.11.</i>	6 Pulsation damper <i>See Chapter 2.12.</i>
7 Injection valve <i>See Chapter 2.14.</i>	8 Separation column <i>See Chapter 2.23.</i> When a guard column (<i>see chapter 2.22, page 63</i>) is used, it is installed between injection valve and separation column.
9 MSM <i>See Chapter 2.16.</i>	10 MCS <i>See Chapter 2.18.</i>
11 Detector <i>See Chapter 2.19.</i>	12 Eluent output Connection to the waste container.
13 Sample input Connection to the sample vessel (single vessel or sample changer).	14 Dialysis cell Is not included in the scope of delivery of the 2.850.2110. Can be ordered as optional accessories (as individual cell or with equipment).
15 Sample output	16 Sample degasser <i>See Chapter 2.13.</i> Use optional.
17 Acceptor solution inlet Connection with the acceptor solution container.	18 Peristaltic pump Pumps the acceptor solution. <i>See Chapter 2.17.</i>
19 Acceptor solution outlet Connection to the waste container.	20 Peristaltic pump <i>See Chapter 2.17.</i>
21 Regeneration solution input Connection to the regeneration solution bottle.	22 Regeneration solution output Connection to the waste container.
23 Rinsing solution input Connection to the rinsing solution bottle.	24 Rinsing solution output Connection to the waste container.

Ultrafiltration

This inline sample preparation technology is used for samples containing disruptive particles. These are removed during ultrafiltration, thus preventing damage to the separation column.

A more detailed description of the functionality of dialysis can be obtained from the documentation to the **IC equipment for ultrafiltration** (6.5330.010).

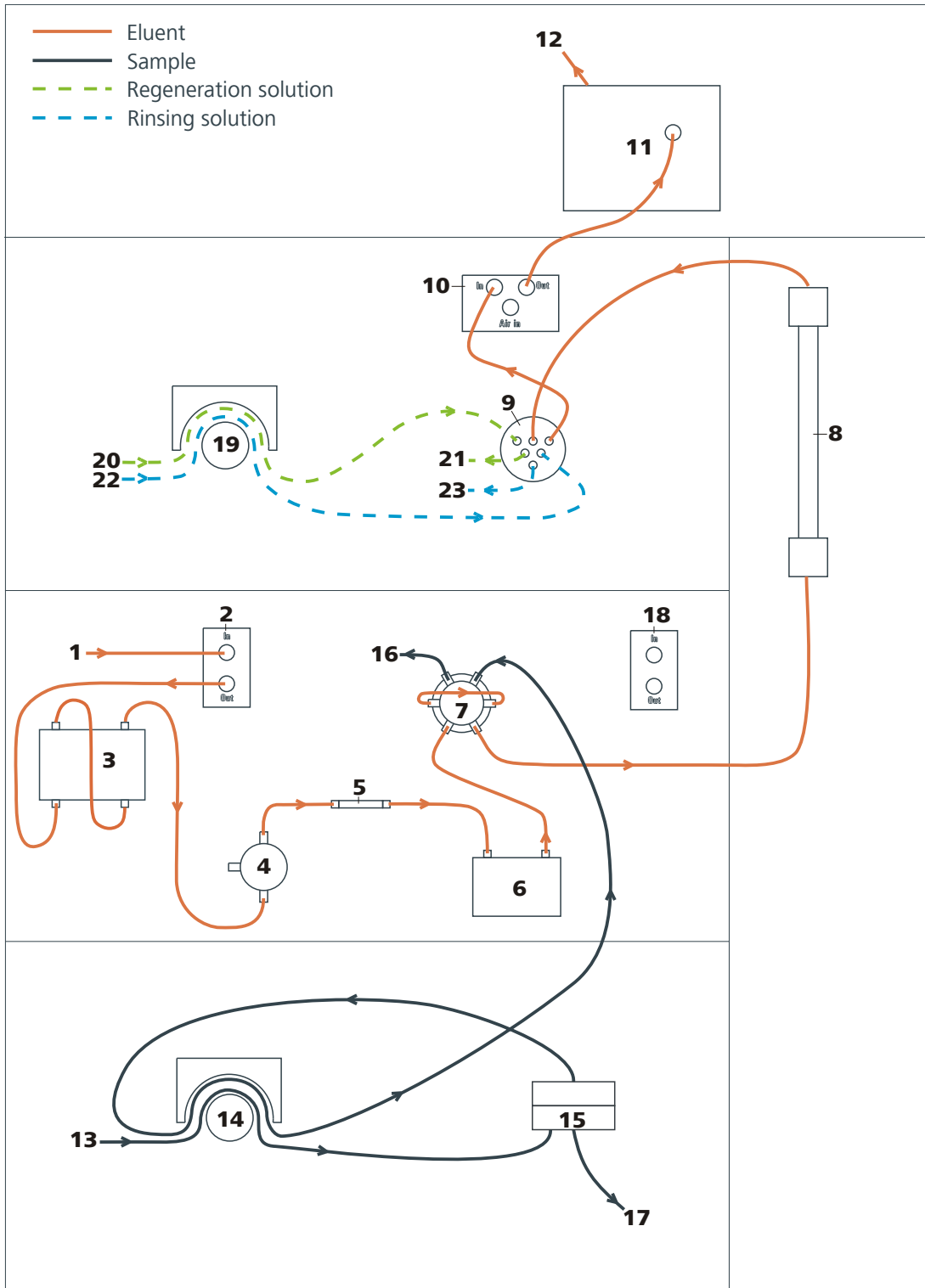


Figure 3 Flow diagram with ultrafiltration

1 Eluent input

Connection to the eluent bottle (see chapter 2.8.1, page 28).

2 Eluent degasser

See Chapter 2.9.

3 High pressure pump <i>See Chapter 2.10.</i>	4 Purge valve <i>See Chapter 2.10.1.</i>
5 Inline filter <i>See Chapter 2.11.</i>	6 Pulsation damper <i>See Chapter 2.12.</i>
7 Injection valve <i>See Chapter 2.14.</i>	8 Separation column <i>See Chapter 2.23.</i> When a guard column (<i>see chapter 2.22, page 63</i>) is used, it is installed between injection valve and separation column.
9 MSM <i>See Chapter 2.16.</i>	10 MCS <i>See Chapter 2.18.</i>
11 Detector <i>See Chapter 2.19.</i>	12 Eluent output Connection to the waste container.
13 Sample input Connection to the sample vessel (single vessel or sample changer).	14 Peristaltic pump Pumps the sample. <i>See Chapter 2.17.</i>
15 Ultrafiltration cell Is not included in the scope of delivery of the 2.850.2110. Can be ordered as optional accessories (as individual cell or with equipment).	16 Sample output
17 Sample output	18 Sample degasser <i>See Chapter 2.13.</i> Use optional.
19 Peristaltic pump <i>See Chapter 2.17.</i>	20 Regeneration solution input Connection to the regeneration solution bottle.
21 Regeneration solution output Connection to the waste container.	22 Rinsing solution input Connection to the rinsing solution bottle.
23 Rinsing solution output Connection to the waste container.	



2.4 Setting up the instrument

2.4.1 Packaging

The instrument is supplied in protective packaging together with the separately packed accessories. Keep this packaging, as only this ensures safe transportation of the instrument.

2.4.2 Checks

Immediately after receipt, check whether the shipment has arrived complete and without damage by comparing it with the delivery note.

2.4.3 Location

The instrument has been developed for operation indoors and may not be used in explosive environments.

Place the instrument in a location of the laboratory which is suitable for operation and free of vibrations and which provides protection against corrosive atmosphere and contamination by chemicals.

The instrument should be protected against excessive temperature fluctuations and direct sunlight.

2.5 Capillary connections in the IC system

This chapter contains general information concerning the capillary connections in the IC instruments and systems.

Generally speaking, capillary connections between two components of an IC system are made up of one connection capillary and two pressure screws with which the capillary is connected to the respective components.

Pressure screws

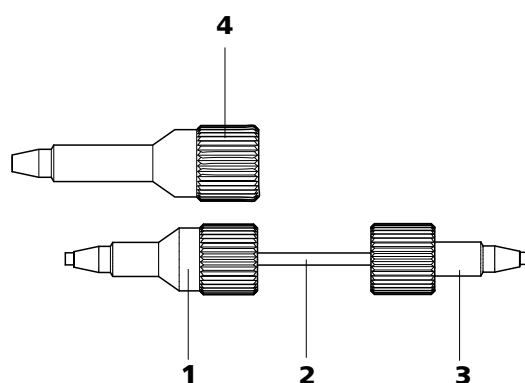


Figure 4 Connection of capillaries with pressure screws

1 PEEK pressure screw (6.2744.014)

Use on the injection valve.

2 Connection capillary

3 PEEK pressure screw, short (6.2744.070)

For use on the high pressure pump, the purge valve, the inline filter, the pulsation absorber, the guard column and the separation column.

4 PEEK pressure screw, long (6.2744.090)

Use on special components. Is not used on all instruments.



NOTICE

In order to keep the dead volume as low as possible, capillary connections should generally be as short as possible.



NOTICE

For an improved overview, capillary and tubing connections can be bundled with the 6.1815.010 spiral band.

Connection capillaries

PEEK capillaries and PTFE capillaries are used in the IC system.

PEEK capillaries (polyetheretherketone)

PEEK capillaries are temperature-resistant up to 100°C, stable under pressure up to 400 bar, flexible, chemically inert and exhibit an extremely smooth surface. They can be readily cut down to the desired length with the 6.2621.080 capillary cutter.

Usage:

- PEEK capillaries (6.1831.010) with an internal diameter of 0.25 mm for the entire high-pressure section.



- PEEK capillaries (6.1831.030) with an internal diameter of 0.75 mm for sample handling in the ultratrace range.



CAUTION

For the capillary connections between the injection valve and detector, PEEK capillaries with an internal diameter of 0.25 mm must be used. These are already connected to a newly delivered instrument.

PTFE capillaries (polytetrafluoroethylene)

PTFE capillaries are transparent and enable visual tracing of the liquids to be pumped. They are chemically inert, flexible and temperature-resistant up to 80°C.

Usage:

PTFE capillaries (6.1803.0x0) are used for the low-pressure section.

- PTFE capillaries with internal diameter of 0.5 mm for sample handling.
- PTFE capillaries with internal diameter of 0.97 mm for sample handling as well as for rinsing solutions (they do not have to be in the scope of delivery of the instrument).

Capillary connections

In order to achieve optimum analysis results, capillary connections in an IC system must be absolutely tight and free of dead volume. Dead volume occurs if two capillary ends connected to each other do not fit exactly, thus allowing liquid to escape. There are two possible reasons for this:

- The capillaries do not have exactly cut edges.
- The two capillary ends do not completely meet.

One prerequisite for dead volume free capillary connection is, that both capillary ends are cut exactly plane. Therefore we recommend only to cut PEEK capillaries with the capillary cutter (6.2621.080).

Creating dead volume free capillary connections

To create dead volume free capillary connections, proceed as follows:

- 1** Slide the pressure screw over the capillary. Ensure that the capillary protrudes 1–2 mm from the tip of the pressure screw.
- 2** Plug the capillary all the way into the connection or coupling until the stop.
- 3** Only then start turning the pressure screw, while keeping the capillary pressed in space.

Colored sleeves for PEEK capillaries

The enclosed set of varicolored sleeves for PEEK capillaries (6.2251.000) serves to easily differentiate the various flows of liquid in the system through color coding. Each capillary leading a given liquid (e. g. eluent) can be highlighted with sleeves of the same color.

To highlight a capillary, proceed as follows:

- 1** Slide a sleeve of a selected color over a capillary and move it to an easily visible position.

If the capillary heats up, the sleeve shrinks and adapts to the form of the capillary.

2.6 Rear of the instrument

2.6.1 Rollers and handle

In order to make transport easier, the instrument is equipped with rollers and a handle.

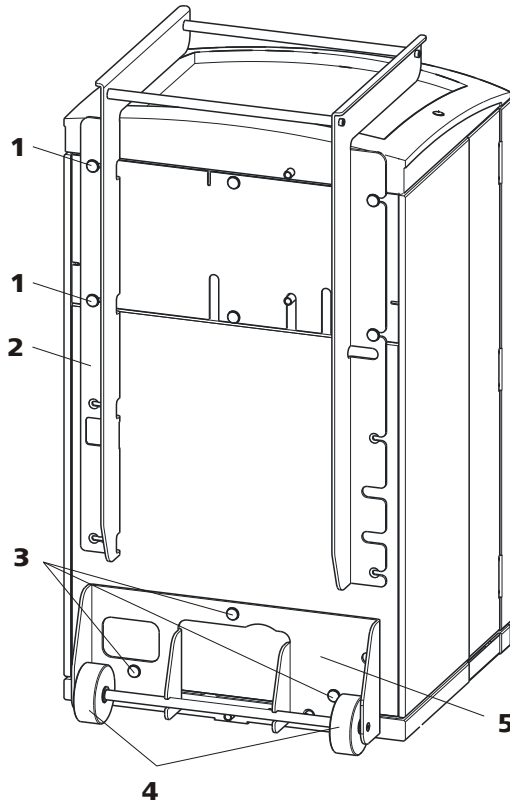


Figure 5 Rollers and handle

<p>1 Knurled screws For fastening the handle (5-2) and the rear panel of the detector chamber.</p>	<p>2 Handle</p>
<p>3 Knurled screws For fastening the roller holder (5-5).</p>	<p>4 Rollers</p>
<p>5 Roller holder</p>	

Removing handle

- 1 Loosen knurled screws (5-1) and remove handle (5-2).

Removing rollers

Proceed as follows to remove the rollers:

- 1 Remove knurled screws (5-3).
- 2 Remove roller holder (5-5).

Mounting handle as MPak holder



NOTICE

When extended, the handle (6-2) can also be used for hanging up MPaks (eluent bags).

- 1 Move handle (6-2) upwards and screw in the knurled screws (6-1) again.

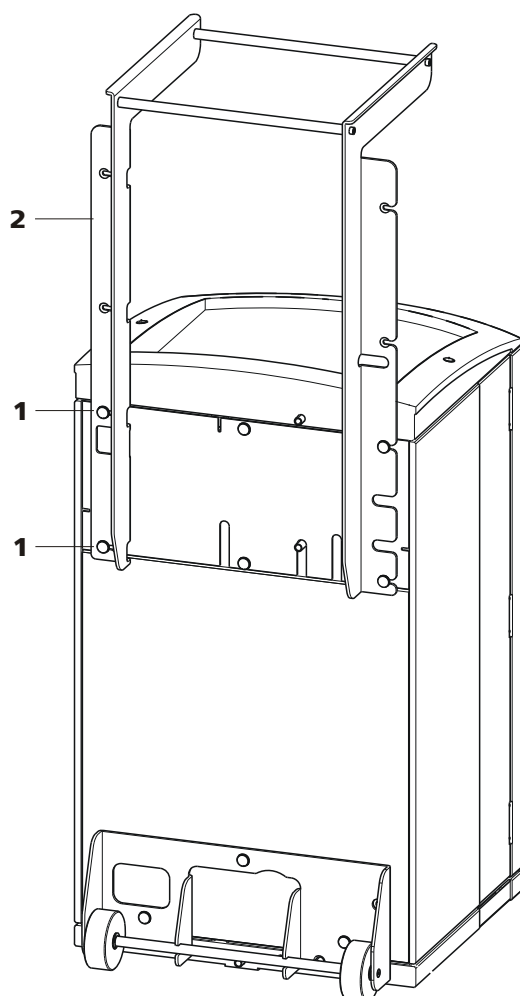


Figure 6 Handle as MPak holder

1 Knurled screws

For fastening the handle (6-2) and the rear panel of the detector chamber.

2 Handle

Extended. As holder for MPaks (eluent bag).



2.6.2 Positioning and connecting the detector

The instrument is delivered without detector. For information on how to place and connect the detector, please refer to the manual of the detector.

2.6.3 Transport locking screws

To avoid damage to the high pressure pump and the vacuum pump during transport, the pumps are secured with transport locking screws.

Remove these transport locking screws before the initial start-up.

Removing transport locking screws

- 1 Remove all of the transport locking screws with the 4 mm hexagon key (6.2621.030) and keep them in a safe place.



WARNING

In order to avoid damage to the pumps, the transport locking screws must be remounted each time the instrument undergoes major transport.

2.6.4 Leak sensor

The leak sensor detects escaping liquid which collects in the base tray of the instrument.

To activate the leak sensor, the leak sensor connector plug (7-2) must be connected, the instrument switched on and the leak sensor switched to **active** in the software.

Connecting the leak sensor

- 1 Plug the leak sensor connector plug (7-2) into the leak sensor connection socket (7-1) on the rear of the instrument (*see figure 7, page 23*).

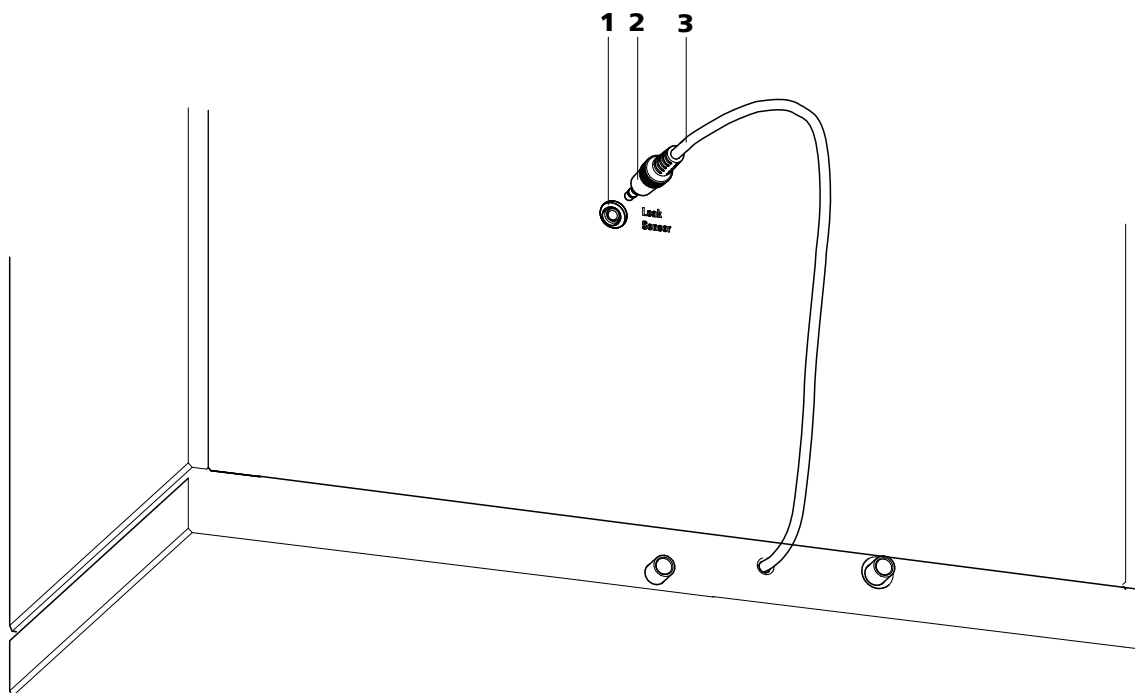


Figure 7 Connection of the leak sensor on the rear of the instrument

1 Leak sensor connection socket

Is labeled with "Leak Sensor".

2 Leak sensor connector plug

3 Leak sensor connection cable

Is firmly mounted on the rear of the instrument.

2.6.5 Drainage tubings

Liquid that escapes in the flask holder or in the detector chamber is directed through the drainage tubings into the base tray, past the leak sensor into the waste container. This ensures that any leaks in the system will be detected by the leak sensor.

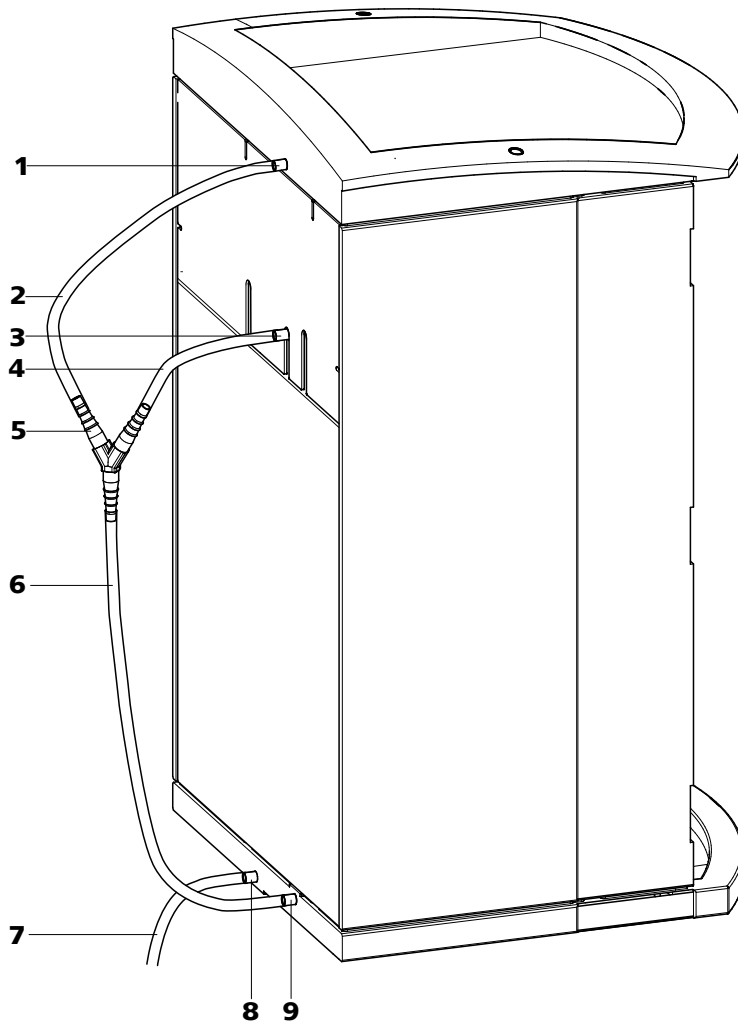


Figure 8 Drainage tubings

<p>1 Drainage tubing connector For draining escaped liquid from the flask holder.</p>	<p>2 Drainage tubing Section of the 6.1816.020 silicon tubing. For draining escaped liquid from the flask holder.</p>
<p>3 Drainage tubing connector For draining escaped liquid from the detector chamber.</p>	<p>4 Drainage tubing Section of the 6.1816.020 silicon tubing. For draining escaped liquid from the detector chamber.</p>
<p>5 Y connector 6.1807.010 For connecting the two drainage tubings (8-2) and (8-4).</p>	<p>6 Drainage tubing Section of the 6.1816.020 silicon tubing. Guides escaped liquid to the leak sensor.</p>

7 Drainage tubing

Section of the 6.1816.020 silicon tubing. Guides escaped liquid into a waste container.

8 Drainage tubing connector

For draining the escaped liquid from the base tray through the connected drainage tubing.

9 Drainage tubing connector

For supplying escaped liquid through the connected drainage tubing to the leak sensor.

Proceed as follows to install the drainage tubings:

Installing drainage tubings

- 1** Plug drainage tubing (8-2) into the drainage tubing connector (8-1) of the flask holder and shorten to required length.
- 2** Plug drainage tubing (8-4) into the drainage tubing connector (8-3) of the detector chamber and shorten to required length.
- 3** Connect drainage tubing (8-2) from the flask holder and drainage tubing (8-4) from the detector chamber to the Y connector (8-5).
- 4** Connect drainage tubing (8-6) to the Y connector (8-5), shorten to required length and plug the other end of the drainage tubing into the drainage tubing connector (8-9) of the base tray.
- 5** Plug drainage tubing (8-7) into the drainage tubing connector (8-8) of the base tray and guide the other end into a waste container.

2.7 Capillary and cable feed-throughs

Several openings have been integrated for feeding through capillaries and cables. They are located on the doors (*see figure 9, page 26*), on the rear panel or below the flask holder or above the base tray (*see Figure 10, Page 27*).

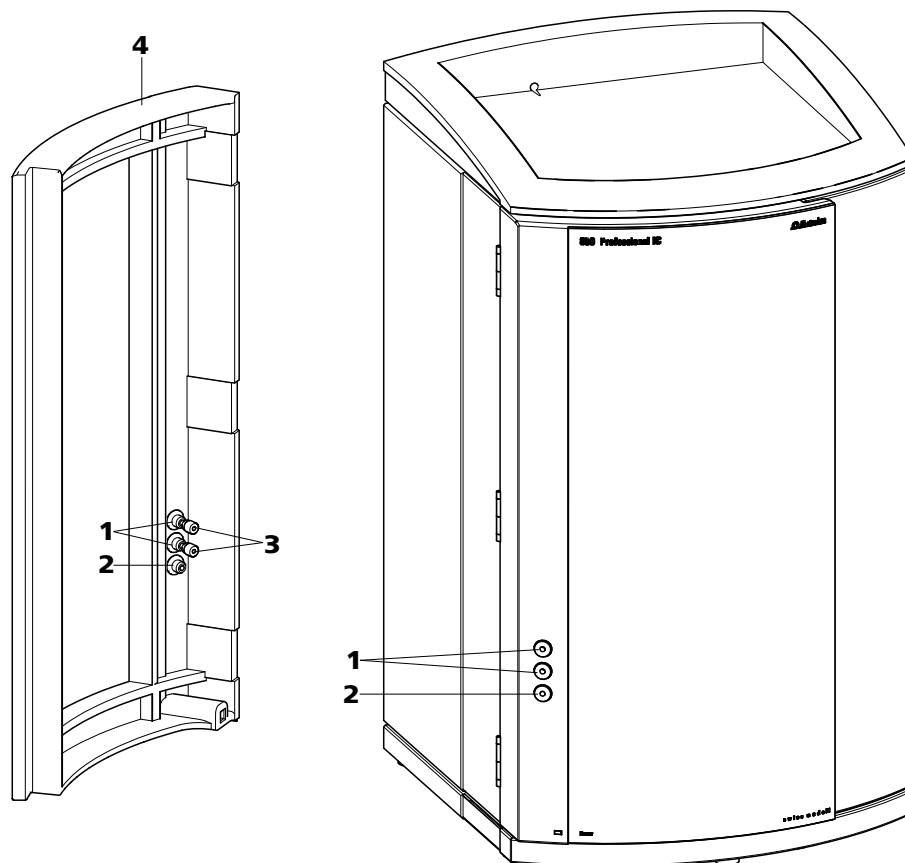


Figure 9 Capillary feed-throughs on the door

<p>1 Luer connectors For connecting a 6.2816.020 syringe. For manual sample feeding.</p>	<p>2 Capillary feed-through</p>
<p>3 PEEK pressure screws, short 6.2744.070</p>	<p>4 Door</p>

Do not feed capillaries through the Luer connectors (9-1). The capillaries are fastened with PEEK pressure screws (9-3) from inside to the Luer connector. From outside, liquid can be aspirated or injected with a syringe.

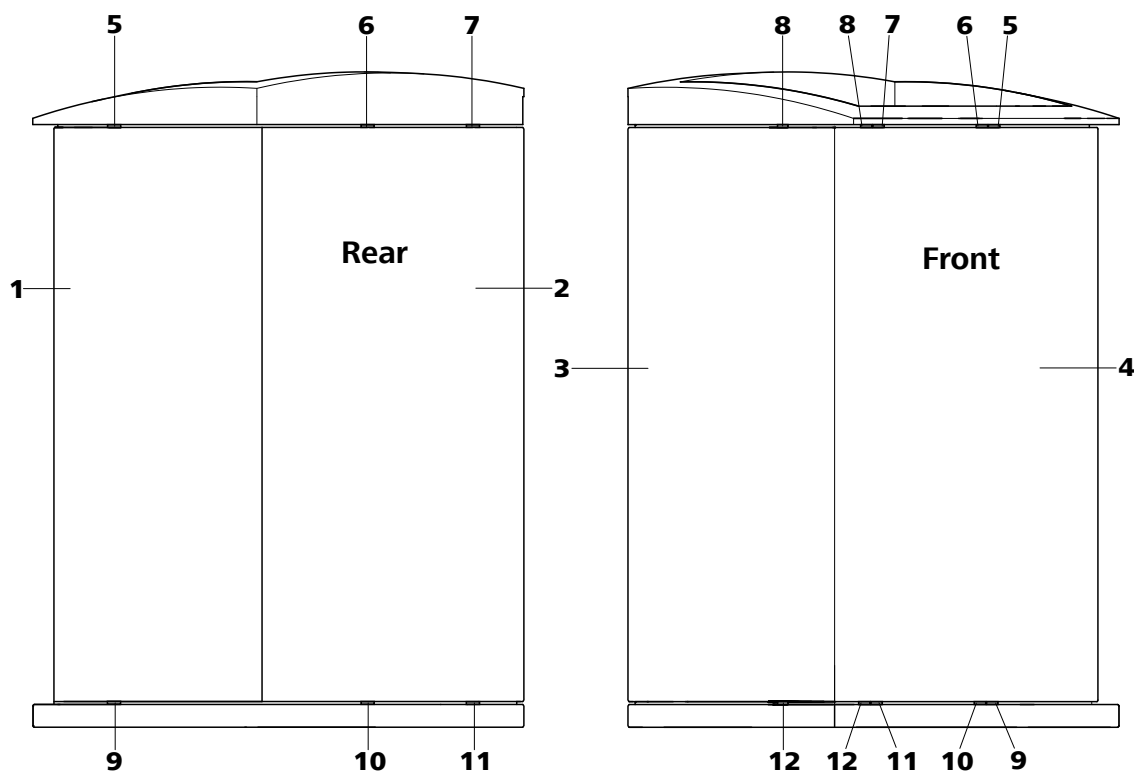


Figure 10 Capillary feed-throughs base tray/flask holder

1 Side panel (right) Right panel.	2 Rear of the instrument
3 Side panel (left) Left panel.	4 Front of the instrument
5 Capillary feed-through Upper. From front to right.	6 Capillary feed-through Upper. From front to back.
7 Capillary feed-through Upper. From front to back.	8 Capillary feed-through Upper. From front to left.
9 Capillary feed-through Lower. From front to right.	10 Capillary feed-through Lower. From front to back.
11 Capillary feed-through Lower. From front to back.	12 Capillary feed-through Lower. From front to left.



2.8 Eluent

2.8.1 Connecting the eluent bottle

The eluent is aspirated out of the eluent bottle via the eluent aspiration tubing (11-1).

The eluent aspiration tubing is connected to the eluent degasser (see chapter 2.9, page 32). The tubing must be threaded through a suitable capillary feed-through (see chapter 2.7, page 25) of the instrument before the other end can be equipped.

The following accessories are needed for equipping the eluent aspiration tubing:

- 6.1602.160 eluent bottle cap GL 45
- 6.2744.210 tubing adapter for aspiration filter
- 6.2821.090 aspiration filter

Proceed as follows for equipping the eluent aspiration tubing:

Assembling eluent aspiration tubing

- 1 Guide the free end of the eluent aspiration tubing (11-1) out of the instrument through a suitable capillary feed-through.
- 2 **Installing the eluent bottle cap (6.1602.160)**
 - Slide tubing nipple (11-2) and O-ring (11-3) onto the eluent aspiration tubing (11-1).
 - Push eluent aspiration tubing (11-1) through the bottle cap (11-4) and screw tight.

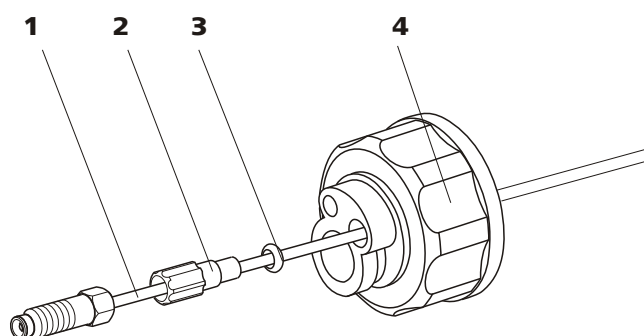


Figure 11 Installing the eluent bottle cap

1 Eluent aspiration tubing (6.1834.080)

2 Tubing nipple

From accessory set (6.1602.160).

3 O-ring

From accessory set (6.1602.160).

4 Bottle cap

From accessory set (6.1602.160).

3 Mounting the aspiration filter

- Insert the filter holder (12-1) into the aspiration filter (12-2) and screw it tightly.

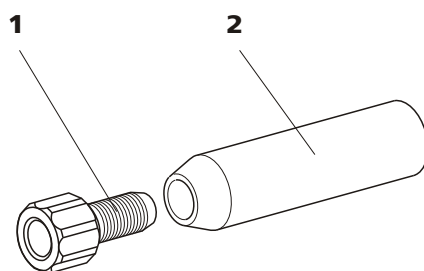


Figure 12 Mounting the aspiration filter

1 Filter holder

From accessory set (6.2744.210).

2 Aspiration filter (6.2821.090)

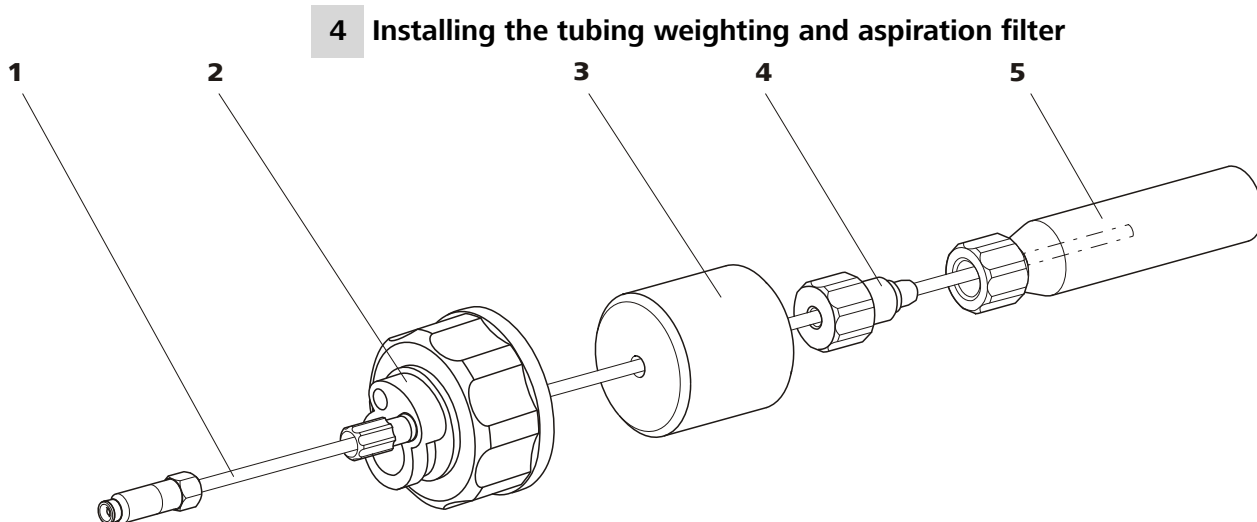


Figure 13 Installing the tubing weighting and aspiration filter

1 Eluent aspiration tubing (6.1834.080)

2 Eluent bottle cap (6.1602.160)

3 Tubing weighting
From accessory set (6.2744.210).

4 Clamping screw
From accessory set (6.2744.210).

5 Aspiration filter (6.2821.090)
With filter holder from accessory set
(6.2744.210).

- Slide the tubing weighting (13-3) onto the eluent aspiration tubing (13-1).
- Slide the clamping screw (13-4) onto the eluent aspiration tubing (13-1).
- Insert eluent aspiration tubing (13-1) into the aspiration filter (13-5). The end of the tubing should reach approximately to the center of the aspiration filter.
- Screw the clamping screw (13-4) to the filter holder (12-1).

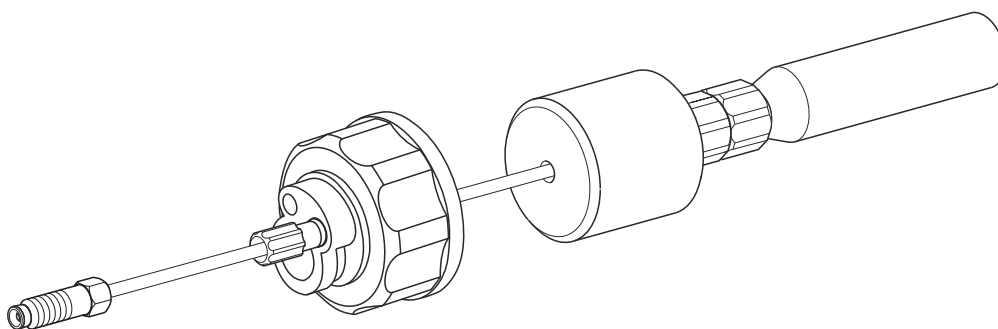


Figure 14 Eluent aspiration tubing fully equipped

5 Mounting the eluent aspiration tubing to the eluent bottle

- Insert the eluent aspiration tubing into the eluent bottle (15-10).

- Tighten the fully equipped bottle cap to the eluent bottle (15-10). The aspiration filter (15-6) must rest on the base of the eluent bottle.
- Close the remaining small opening on the bottle cap with a threaded stopper (15-14) from the accessory set.

6 Mounting the adsorber tube



NOTICE

If alkaline eluents or eluents with lower buffer capacity are used, the eluent bottle must be equipped with an adsorber tube filled with CO₂ adsorber (15-4).

- First, place a piece of cotton (15-3), then the CO₂ adsorber (15-4) in the large opening of the adsorber tube (15-2) and close with the plastic cover.
- Fasten the adsorber tube (15-2) on the bottle cap (15-11) using the SGJ clip (15-12).

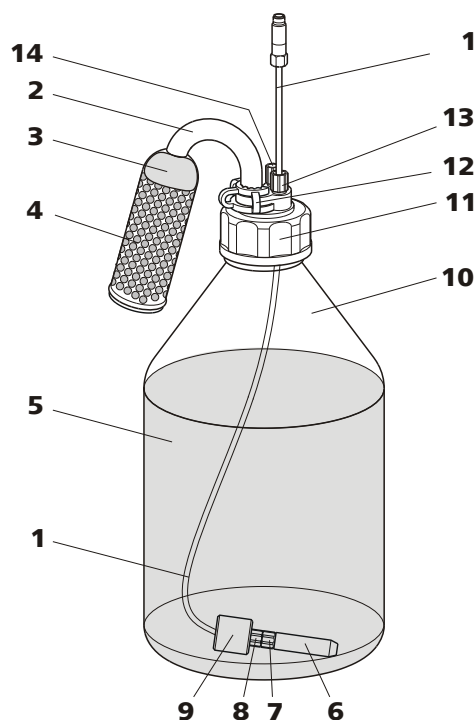


Figure 15 Eluent bottle – connected

1 Eluent aspiration tubing (6.1834.080)
For aspirating the eluent. Pre-installed.

2 Adsorber tube (6.1609.000)



3 Cotton	4 CO₂ adsorber Adsorbs CO ₂ from the air (e.g. Merck soda lime with indicator, no. 6839.1000).
5 Eluent	6 Aspiration filter (6.2821.090)
7 Filter holder From accessory set (6.2744.210).	8 Clamping screw From accessory set (6.2744.210).
9 Tubing weighting From accessory set (6.2744.210).	10 Eluent bottle (6.1608.070)
11 Bottle cap (6.1602.160)	12 SGJ clip (6.2023.020)
13 Tubing nipple	14 Threaded stopper

2.9 Eluent degasser

Gas bubbles in the eluent lead to an unstable baseline, as high pressure pumps can transport liquids, but not gases. This is why the eluent must be degassed before it reaches the high-pressure pump.

The eluent degasser removes gas bubbles and dissolved gases from the eluent. For degassing, the eluent flows into a vacuum chamber through a special fluoropolymer capillary.



NOTICE

The eluent degasser is already installed in the newly delivered instrument. The following installation instructions must only be followed, if the connections to the degasser had to be disconnected for maintenance.

Connecting the eluent degasser

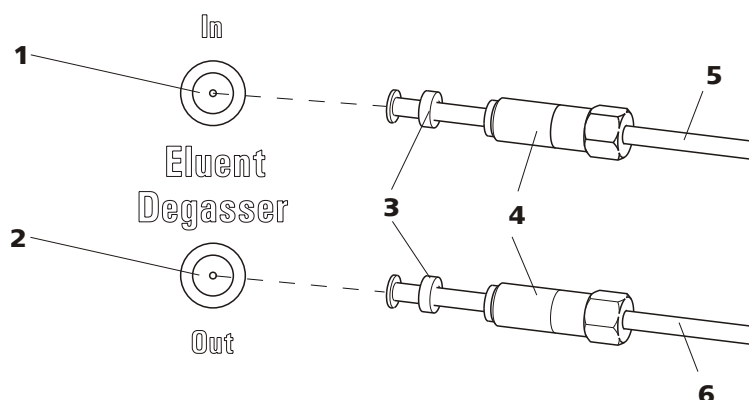


Figure 16 Eluent degasser

1 Eluent degasser input	2 Eluent degasser output
3 Tubing flare With tubing nipple.	4 Clamping screw
5 Eluent aspiration tubing (6.1834.080) For aspirating the eluent. The clamping screw (16-4) is firmly mounted.	6 Connection tubing (6.1834.090) Connection from the eluent degasser to the high-pressure pump (see chapter 2.10, page 34). The clamping screw (16-4) is firmly mounted.

1



CAUTION

The clamping screws (16-4) must be tightened carefully. Use the wrench (6.2621.050) to do this.

- Insert the eluent aspiration tubing (16-5) into the eluent degasser input (16-1).

▪ Carefully tighten the clamping screw (16-4).
- Insert connection tubing (16-6) (the end with the longer clamping screw (16-4)) into the eluent degasser output (16-2).

▪ Carefully tighten the clamping screw (16-4).

▪ Connect the other end of the connection capillary (16-6) (with the shorter clamping screw) to the high-pressure pump (17-9) (see "Connecting inlet to the high pressure pump", page 35).



2.10 High pressure pump

The intelligent and low pulsation high pressure pump pumps the eluent through the system. It is equipped with a chip on which its technical specifications and "life history" (operating hours, service data, ...) are saved.

The purge valve is used for deaerating (*see chapter 2.10.2, page 36*) the high pressure pump.

2.10.1 Capillary connections high pressure pump/purge valve



NOTICE

All of the capillary connections of the high pressure pump and the purge valve are already installed in the newly delivered instrument.

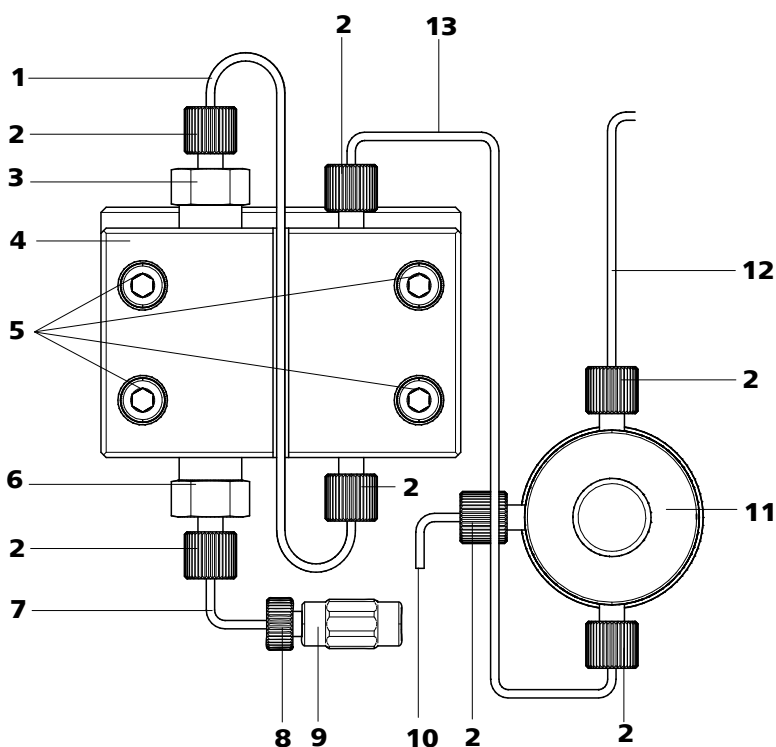


Figure 17 Capillary connections high pressure pump/purge valve

<p>1 Connection capillary PEEK capillary, connects main piston and auxiliary piston.</p>	<p>2 PEEK pressure screw, short (6.2744.070)</p>
<p>3 Outlet valve holder</p>	<p>4 Pump head (6.2824.110)</p>

5 Fastening screws

For fastening the pump head.

7 Pump head inlet capillary

PEEK capillary at the input of the pump head.

9 Coupling

For the connection of the eluent path at the input of the high pressure pump. Can be ordered together with the pressure screw (17-8) under the number (6.2744.230).

11 Purge valve

For deaerating the high pressure pump. With rotary knob in the center and pressure sensor.

13 Connection capillary

Connects the output of the pump head with the purge valve.

6 Inlet valve holder**8 Pressure screw**

For connecting a PEEK capillary to the coupling (17-9).

10 Deaerating capillary

For aspirating the eluent when deaerating the high pressure pump (see chapter 2.10.2, page 36).

12 Connection capillary

For connecting the inline filter (see chapter 2.11, page 38).

**NOTICE**

The eluent aspiration capillary is already installed in the newly delivered instrument. The following installation instructions need **not** be carried out at the time of initial installation.

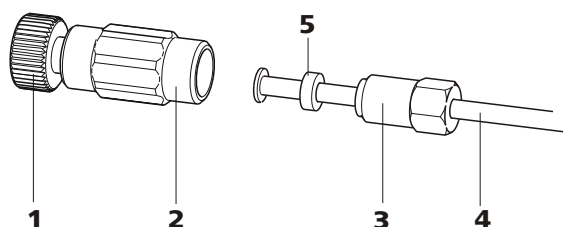
Connecting inlet to the high pressure pump

Figure 18 High pressure pump – Connect inlet

1 Pressure screw

For connecting the coupling (18-2) to the pump head inlet capillary (17-7). Can be ordered together with the coupling under the number (6.2744.230).

2 Coupling (6.2744.230)

For connecting the eluent connection capillary (18-4) to the input of the high pressure pump.



3 Clamping screw

4 Eluent aspiration tubing

Eluent aspiration tubing (6.1834.080) or (6.1834.090).

5 Backup ring

1 Connecting coupling

Fasten the coupling (18-2) with a pressure screw (18-1) on the pump head inlet capillary (17-7).

2 Connecting eluent aspiration tubing



CAUTION

The clamping screws must be tightened carefully. To tighten, grip the coupling (18-2) with the key (6.2739.000) and grip the clamping screw (18-3) with the wrench (6.2621.050).

- Plug the eluent aspiration tubing (18-4) into the coupling (18-2).
- Tighten the clamping screw (18-3).

2.10.2 Deaerating the high pressure pump

The high pressure pump will only operate perfectly if the pump head contains no more air bubbles. Therefore it must be deaerated during initial start-up and after every change of eluent.



CAUTION

The high pressure pump must **not** be deaerated before the initial start-up (see chapter 3.1, page 67).

Deaerate the high pressure pump as follows (see figure 19, page 37):

Deaerate the high pressure pump

The instrument must be connected to the PC and switched on to deaerate the high pressure pump.

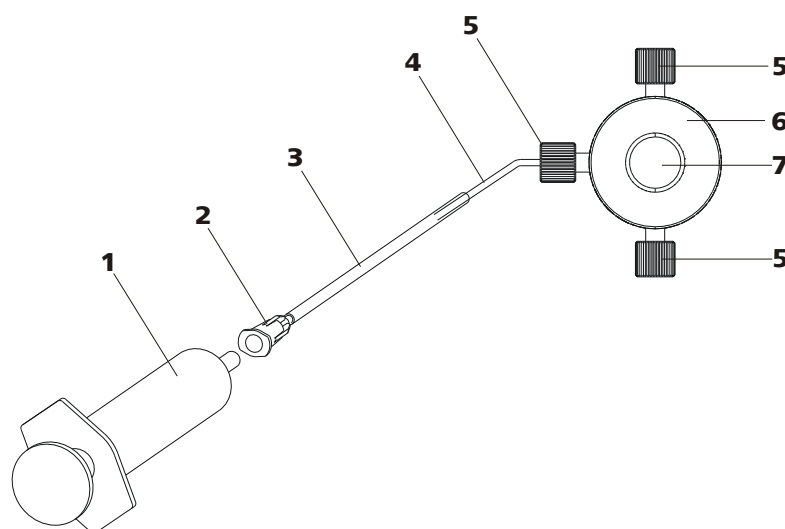


Figure 19 Deaerate the high pressure pump

1	Syringe 10 mL (6.2816.020) For aspirating the eluent.	2	Luer connector Part of the purging needle (6.2816.040)
3	Purging needle (6.2816.040)	4	Deaerating capillary
5	PEEK pressure screws, short (6.2744.070)	6	Purge valve
7	Purge valve rotary knob		

1 Connecting the purging needle

- Push the end of the purging needle (19-3) over the end of the deaerating capillary (19-4) on the purge valve.

2 Connecting the syringe

- Insert syringe (19-1) in the Luer connector (19-2) of the purging needle (see figure 19, page 37).

3 Opening purge valve

- Open the rotary knob (19-7) by approx. $\frac{1}{2}$ rotation counterclockwise.

4 Setting the flow rate

- Start MagIC Net™ (if not yet started).
- Ensure that the eluent aspiration tubing is immersed sufficiently in the eluent.
- Let the high pressure pump run.



5 Aspirating eluent

- Aspirate with the syringe (19-1) until bubble-free eluent flows into the syringe.

6 Completing deaerating

- Switch off high pressure pump.
- Close rotary knob (19-7).
- Remove syringe (19-1) from the Luer connector (19-2).
- Pull the purging needle (19-3) out of the deaerating capillary (19-4).

2.11 Inline filter

Between the purge valve and the pulsation absorber the inline filter (6.2821.120) is installed as protection against particles.

Inline filters protect the separation column securely against possible contamination from the eluent. Inline filters can however also just as well be used for the purpose of protecting the suppressor against contaminations in the regeneration or rinsing solutions. The filter platelets with a pore size of 2 µm can be replaced quickly and easily. They remove particles like e. g. bacteria and algae from the solutions.



NOTICE

The inline filter is already installed in the newly delivered instrument. The following installation instructions need **not** be carried out at the time of initial installation.

Installing the inline filter



CAUTION

Observe the flow direction marked on the filter housing for the connection of the inline filter.

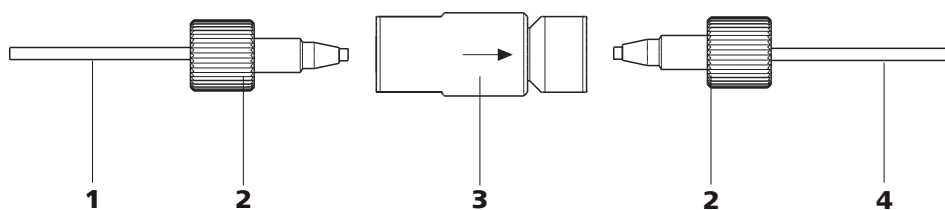


Figure 20 Connecting the inline filter

1 Connection capillary

Connects the purge valve with the inline filter

3 Inline filter (6.2821.120)

Protects against particles.

2 PEEK pressure screws, short (6.2744.070)

4 Connection capillary

Connects the inline filter with the pulsation absorber.

- 1** Screw on the connection capillary running from the purge valve to the input side of the inline filter using a pressure screw (6.2744.070).
- 2** Screw on the connection capillary running to the pulsation absorber to the output side of the inline filter using a pressure screw (6.2744.070).

2.12 Pulsation absorber



NOTICE

The pulsation absorber is already installed in the newly delivered instrument.



CAUTION

The pulsation absorber is maintenance-free and may not be opened.

The pulsation absorber protects the separation column from damage caused by pressure fluctuations when switching the injection valve, and reduces interfering pulsations during highly sensitive measurements. In order to ensure these functionalities, it must be connected between the high pressure pump (see chapter 2.10, page 34) and injection valve (see chapter 2.14, page 42).

The pulsation absorber can be operated in both directions.

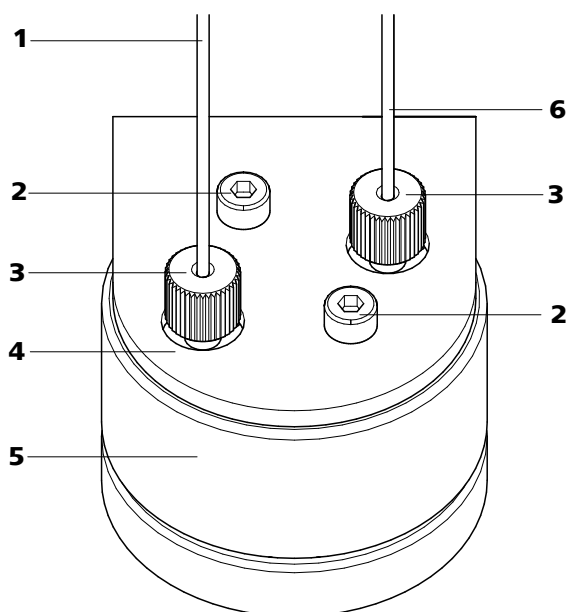


Figure 21 Pulsation absorber – Connection

1 Connection capillary Connection to the inline filter.	2 Fastening screws
3 PEEK pressure screws, short (6.2744.070)	4 Holder for pulsation absorber
5 Pulsation absorber (6.2620.150)	6 Connection capillary Connection to the injection valve.

2.13 Sample degasser

The sample degasser removes gas bubbles and dissolved gases from the sample. For degassing, the sample flows into a vacuum chamber through a special fluoropolymer capillary.

Gas bubbles in the sample lead to poor reproducibility, as the amount of sample in the sample loop would not always be the same. This is why samples (containing gas) should be degassed prior to injection. The sample is drawn in through a degassing chamber prior to injection and any gas bubbles are automatically removed.



NOTICE

The rinsing time increases by at least 2 minutes when the sample degasser is used.

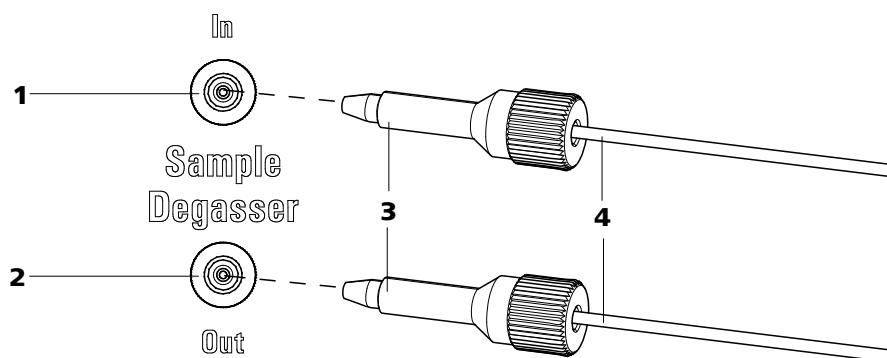


Figure 22 Sample degasser

1 Sample degasser input

2 Sample degasser output

3 PEEK pressure screw, long
(6.2744.090)

4 Connection capillaries (6.1803.040)

Connecting the sample degasser

- 1** Remove and keep the threaded stoppers (6.2744.220) from the inlet and outlet of the sample degasser.
- 2** Connect the end of the sample aspiration capillary (6.1803.040) connected to the injection valve to the output of the sample degasser (22-**2**), using a long PEEK pressure screw (22-**3**).
- 3** Connect the connection capillary (6.1803.040) to the input of the sample degasser (22-**1**), using a long PEEK pressure screw (22-**3**).
- 4** Guide the other end of the connection capillary out of the instrument through a capillary feed-through and connect it with the Sample Processor, if applicable.



CAUTION

If the sample degasser is not used, the input and output **must** be sealed with the threaded stoppers (6.2744.220).



2.14 Injection valve

The injection valve connects the eluent and sample path. Through rapid and precise valve switchover a precise amount of sample solution defined by the size of the sample loop is injected and rinsed with eluent onto the separation column.

2.14.1 Connecting the injection valve

The injection valve has six connectors: two for the sample path (connectors 1 and 2), two for the eluent path (connectors 4 and 5) and two for the sample loop (connectors 3 and 6).



NOTICE

The capillaries of the eluent path and the sample path and the sample loop are already installed in the newly delivered instrument.

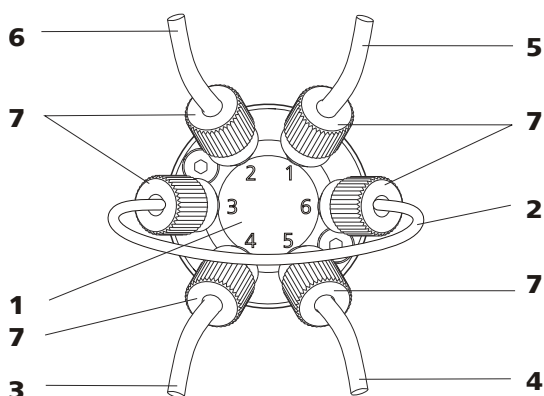


Figure 23 Injection valve – connected

1 Injection valve

2 Sample loop

Connected to connectors 3 and 6.

3 Connection capillary

Connected to connector 4. Carries eluent to the injection valve.

4 Connection capillary (column inlet capillary)

Connected to connector 5. Carries eluent to the separation column.

5 Connection capillary

Connected to connector 1. Carries sample to the injection valve.

6 Connection capillary

Connected to connector 2. Carries sample to the waste container.

7 PEEK pressure screw 6.2744.010

Replacing the sample loop

The sample loop can be replaced, depending on requirements. For additional information concerning selection of the appropriate sample loop, see *Chapter 2.14.3, page 44*.



NOTICE

Use only 6.2744.010 PEEK pressure screws for connecting capillaries and sample loop to the injection valve.

1 Removing existing sample loop

- Loosen 6.2744.010 pressure screws at connector 3 and connector 6.
- Remove sample loop.

2 Mounting new sample loop

- Fasten one end of the sample loop (23-2) with a 6.2744.010 PEEK pressure screw (23-7) to connector 3.
- Fasten the other end of the sample loop (23-2) with a second 6.2744.010 PEEK pressure screw (23-7) to connector 6.

2.14.2 Mode of operation of the injection valve

The injection valve (see *figure 24, page 43*) can adopt two valve positions - **FILL** and **INJECT**. Switching back and forth between the two valve positions determines whether the sample path or the eluent path is guided through the sample loop. The following figure provides a schematic display of the flow paths of the two valve positions.

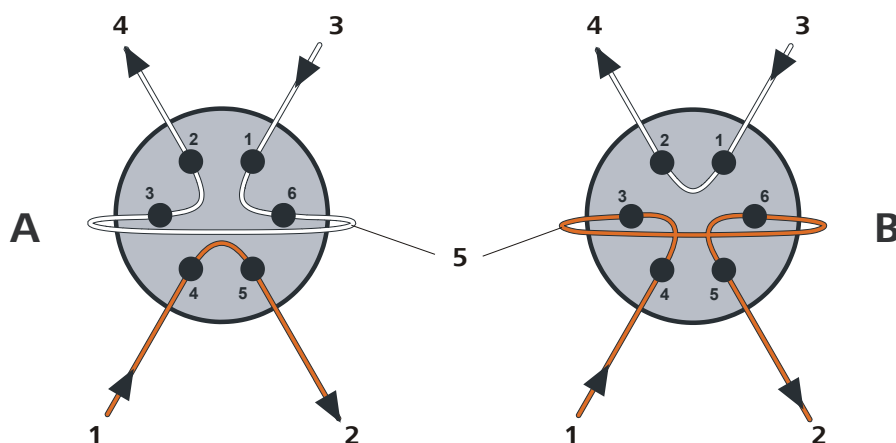


Figure 24 Injection valve – Positions

A Position FILL

B Position INJECT



1 Eluent input Capillary coming from the high pressure pump.	2 Eluent output Capillary to the column.
3 Sample input Sample aspirating capillary.	4 Sample output Capillary to waste container.
5 Sample loop	

Position A

In the position **FILL**, the sample solution flows through the sample loop to the waste container. The eluent flows directly to the separation column at the same time.

Position B

In the position **INJECT**, the eluent flows through the sample loop to the separation column. If sample solution is to be found in the sample loop at the time of the valve switchover, then this will be conveyed along with the eluent, thus making its way to the separation column. The flow in the sample path is either stopped or the sample flows directly to the waste container.

2.14.3 Selecting the sample loop

The amount of sample solution injected depends on the volume of the sample loop. The choice is made on the basis of the application. The following sample loops are normally used:

Cation determination	10 µL
Anion determination with suppression	20 µL
Anion determination without suppression	100 µL

2.15 Column thermostat

The column thermostat controls the temperature of the column and eluent channel and thus ensures stable measuring conditions. It provides space for 2 separation columns.

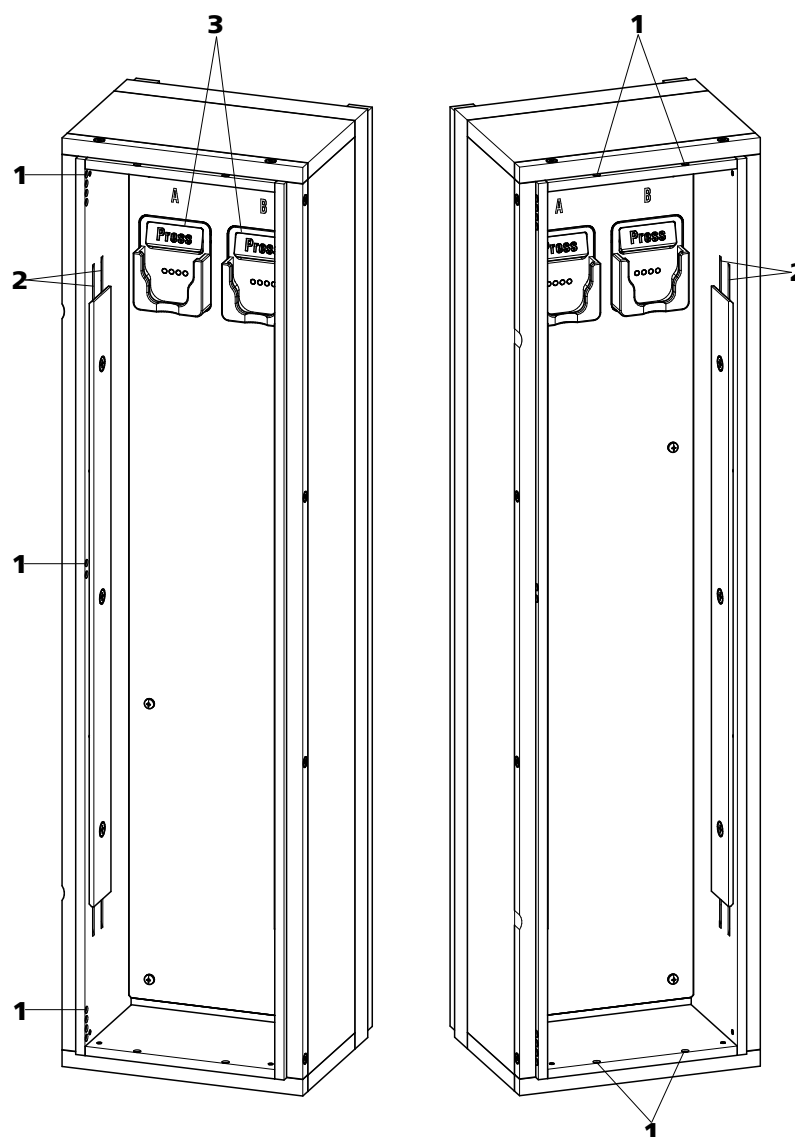


Figure 25 Column thermostat

1 Capillary feed-throughs

For guiding the capillaries in and out.

2 Capillary recesses

For controlling the temperature of the eluent.

Preheating capillary already pre-installed.

3 Column holder

For fastening the columns.

With column recognition.

The column thermostat contains two column holders (25-3) equipped with chip recognition. The separation columns can be clicked into the column holder with the chip.



NOTICE

The column input capillary is already threaded into the capillary recesses of the column thermostat at the time the instrument is first delivered. The following installation instructions need **not** be carried out at the time of initial installation.

Threading capillaries

- 1** Introduce column input capillary into the column thermostat via a suitable capillary feed-through (25-1).
- 2** Slide the column input capillary from below into the outer of the two capillary recesses (25-2). Slide it through under the holder plate until it emerges again at the top.
- 3** Carefully bend the column input capillary downward and slide from from above to below through the inner capillary recess until it emerges at the lower edge of the holder plate.

4



NOTICE

The columns (guard column and separation column) may only be installed after the initial start-up (see chapter 3.1, page 67).

- **Before initial start-up:**
Fasten the 6.2744.040 coupling with a 6.2744.010 pressure screw to the end of the column input capillary.
- **After initial start-up:**
Fasten the guard column (if used) or the separation column with a 6.2744.010 pressure screw to the end of the column input capillary.

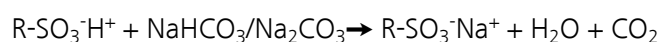
2.16 Metrohm Suppressor Module (MSM)

2.16.1 General information on the MSM

The MSM is used for chemical suppression during anion analysis. It is pressure-stable, robust and resistant to solvents. It consists of 3 suppressor units in total, which are used for suppression, regenerated with sulfuric acid or rinsed with ultra pure water in rotation.

Suppression reaction in the MSM

When using a carbonate eluent, the following reaction (amongst others) occur in the MSM:



2.16.2 Connecting the MSM



CAUTION

To protect the MSM against foreign particles or bacterial growth, a 6.2744.180 pump tubing connection with filter (29-3) must be mounted between the peristaltic pump and the input capillaries of the MSM.

The three inputs and outputs of the suppressor units numbered 1..3 on the MSM each have 2 fixed mounted PTFE capillaries (see figure 26, page 48).

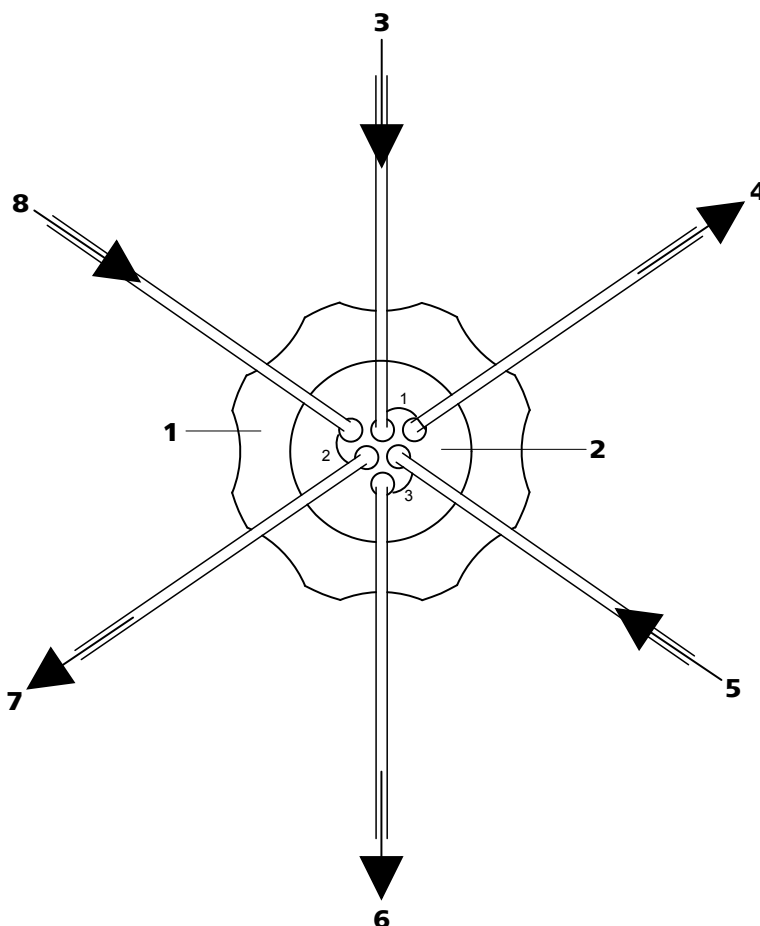


Figure 26 MSM – connections

1 Union nut	2 MSM connecting piece 6.2832.010
3 Eluent input capillary Labeled with <i>Eluent</i> .	4 Eluent output capillary Labeled with <i>Detector</i> .
5 Rinsing solution input capillary Labeled with <i>H2O</i> .	6 Rinsing solution output capillary Labeled with <i>Waste</i> .
7 Regeneration solution output capillary Labeled with <i>Waste</i> .	8 Regeneration solution input capillary Labeled with <i>H2SO4</i> .

The PTFE capillaries firmly mounted on the MSM are connected to the other components of the IC system as follows:



CAUTION

As the PTFE capillaries are very soft, the pressure screws should not be overtightened.

Flattened capillaries must be shortened with the help of a 6.2621.080 capillary cutter.

Connecting the capillaries of the MSM

1 Connecting the eluent input capillary

- Fasten the end of the input capillary labeled with *Eluent* with a 6.2744.070 short PEEK pressure screw to the output of the column.

2 Connecting the eluent output capillary

- Fasten the end of the output capillary labeled with *Detector* with a 6.2744.090 long PEEK pressure screw to the input of the MCS (insofar as an MCS is being used).
OR
Connect the end of the output capillary labeled with *Detector* and the detector input capillary with a 6.2744.040 coupling and two 6.2744.070 short pressure screws.

3 Connecting the rinsing solution input capillary

- Fasten the end of the input capillary labeled with *H₂O* with a 6.2744.070 short PEEK pressure screw to the pump tubing connection of the pump tubing which carries the rinsing solution.

4 Connecting the rinsing solution output capillary

- Guide the end of the output capillary labeled with *Waste* into a sufficiently large waste container and fasten it there.

5 Connecting the regeneration solution input capillary

- Fasten the end of the input capillary labeled with *H₂SO₄* with a 6.2744.070 short PEEK pressure screw to the pump tubing connection of the pump tubing which carries the regeneration solution.

6 Connecting the regeneration solution output capillary

- Guide the end of the output capillary labeled with *Waste* into a sufficiently large waste container and fasten it there.

The rinsing and regeneration solutions are pumped with a peristaltic pump (see chapter 2.17, page 50).



2.17 Peristaltic pump

2.17.1 Principle of the peristaltic pump

The Peristaltic pump is used for pumping sample and auxiliary solutions. It can rotate in both directions.

The peristaltic pump pumps liquids according to the principle of displacement. The pump tubing is clamped between the rollers (27-**3**) and the tubing cartridge (27-**5**). During operation, the peristaltic pump drive rotates the roller hub (27-**2**), so that the rollers (27-**3**) push the liquid forward in the pump tubing.

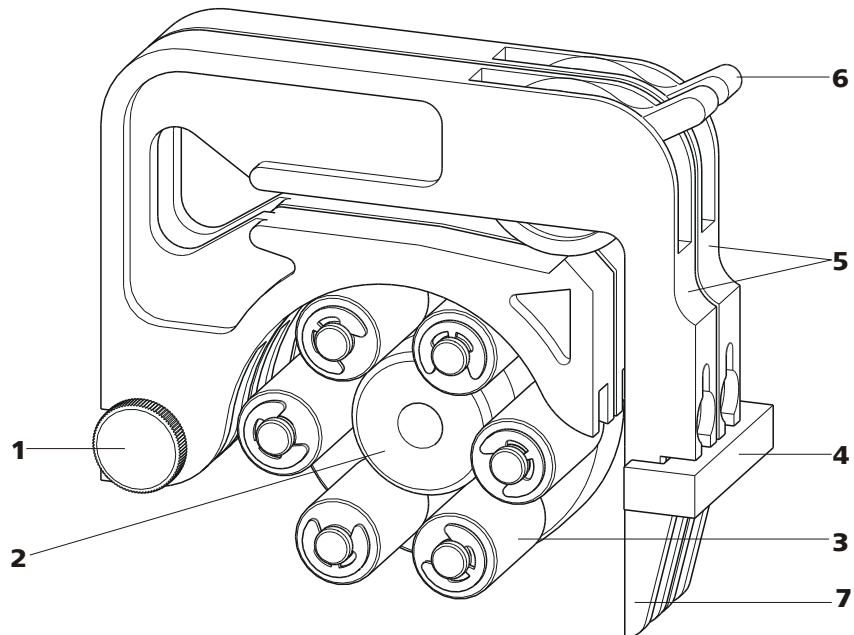


Figure 27 Peristaltic pump

1	Knurled screw in the mounting pin	2	Roller hub
3	Rollers	4	Cartridge holder
5	Tubing cartridges 6.2755.000	6	Contact pressure lever
7	Snap-action lever		

2.17.2 Installing the peristaltic pump

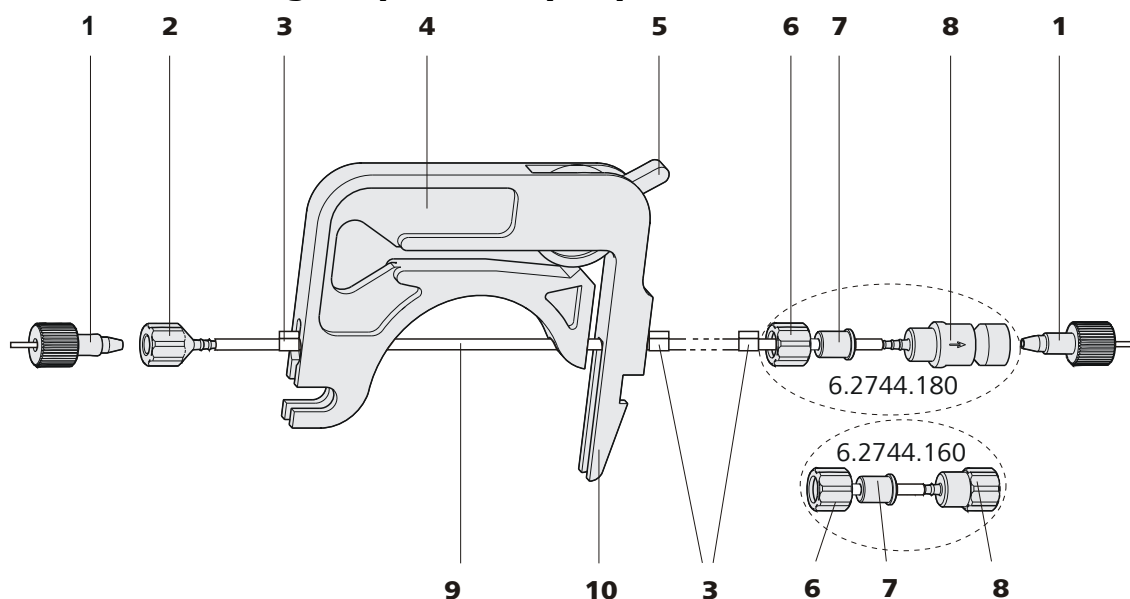


Figure 28 Installing the pump tubing

1	PEEK pressure screws, short (6.2744.070)	2	Tubing olive (6.2744.034)
3	Stopper The colors of the stopper indicate the inner diameter of the pump tubing.	4	Tubing cartridge (6.2755.000)
5	Contact pressure lever	6	Union nut
7	Adapter	8	Tubing olive Either with filter holder (6.2744.180) or without filter holder (6.2744.160).
9	Pump tubing (6.1826.xx0)	10	Snap-action lever

Mount the pump tubing as follows:

1 Removing the tubing cartridge

Release the tubing cartridge from the cartridge holder by pressing the snap-action lever and unhooking from the mounting pins (27-**1**).

2 Connecting the aspiration side

Place a 6.2744.034 tubing olive (28-**2**) on the aspiration side of the pump tubing.



3 Connecting the pressure side



NOTICE

Depending on the use of the peristaltic pump, on the pressure side you can either connect:

- **Case A:** a 6.2744.180 pump tubing connection **with filter** (see figure 29, page 52) or
- **Case B:** a 6.2744.160 pump tubing connection **without filter** (see figure 30, page 53).

For pumping the auxiliary solutions to the MSM or to the SPM, a 6.2744.180 pump tubing connection **with filter must** be used.

Case A: 6.2744.180 pump tubing connection with filter:

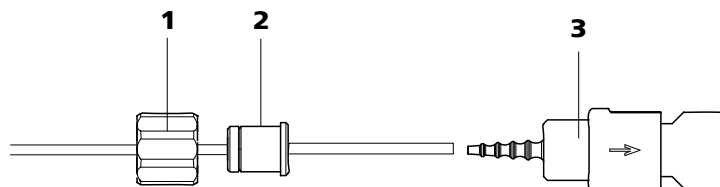


Figure 29 Install pump tubing connection with filter

1 Union nut

2 Adapter

3 Tubing olive with filter holder

- Slide union nut (29-**1**) onto the pump tubing.
- Select a suitable adapter (29-**2**) and slide it onto the pump tubing. The type of adapter depends on the pump tubing (see table 1, page 53).
- Place the tubing olive with filter holder (29-**3**) onto the pump tubing.
- Screw the union nut (29-**1**) onto the tubing olive (29-**3**).

or

Case B: 6.2744.160 pump tubing connection without filter:

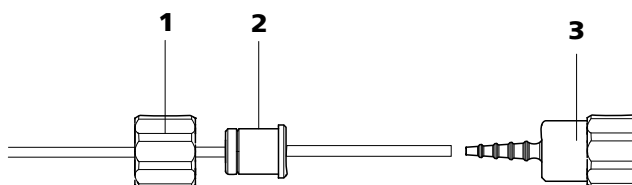


Figure 30 Install pump tubing connection without filter

1 Union nut

2 Adapter

3 Tubing olive

- Slide union nut (30-1) onto the pump tubing.
- Select a suitable adapter (30-2) and slide it onto the pump tubing. The type of adapter depends on the pump tubing (see table 1, page 53).
- Place the tubing olive (30-3) onto the pump tubing.
- Screw the union nut (30-1) onto the tubing olive (30-3).

4 Inserting the pump tubing

- Press the contact pressure lever all the way down.
- Place the pump tubing in the tubing cartridge. The stoppers (28-3) must snap into the corresponding holders of the tubing cartridge.

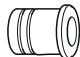
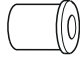


5 Inserting the tubing cartridge

- Hang the tubing cartridge in the mounting pin and press in the cartridge holder until the snap-action lever snaps in.

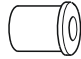
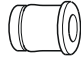
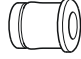
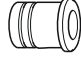
6 Connecting the capillaries

- Screw the respective capillaries tightly to the two tubing olives with PEEK pressure screws (28-1).

Table 1 Pump tubings and suitable adapters

Pump tubing	Adapter
6.1826.020 (blue/blue)	
6.1826.310 (orange/green)	
6.1826.320 (orange/yellow)	
6.1826.330 (orange/white)	



Pump tubing	Adapter
6.1826.340 (black/black)	
6.1826.360 (white/white)	
6.1826.380 (gray/gray)	
6.1826.390 (yellow/yellow)	

Set flow rate

The contact pressure of the tubing cartridge must be adjusted in order to regulate the flow rate. Proceed as follows:

Set the contact pressure

- 1
 - Fully loosen the contact pressure lever (28-5), i.e. press it all the way down.
 - Switch on the peristaltic pump.
 - Raise the contact pressure lever one step at a time until liquid flows.
 - When liquid starts flowing, raise the contact pressure lever by an additional 2 ratchet increments.

The contact pressure is now set optimally.

The delivery rate depends not only on the correct contact pressure but also on the interior diameter of the pump tubing and the rotational speed of the drive.



NOTICE

Pump tubings are consumable material. The service life of the pump tubings depends on the contact pressure amongst other factors.

2.18 Metrohm CO₂ Suppressor (MCS)

2.18.1 General information on the MCS

The Metrohm CO₂ Suppressor (MCS) is used only in conjunction with conductivity detection.

The MCS removes the CO₂ from the eluent stream. This lowers the background conductivity, improves detection sensitivity and minimizes the injection peak and carbonate peak.

CO₂ can enter the eluent stream through the sample itself or can develop due to the suppression reaction in the suppressor. By connecting the MCS between MSM and the detector, the CO₂ peak is minimized effectively.

The mode of operation of the MCS is based on the gas permeability of the fluoropolymer membrane. The eluent is directed through a capillary with a fluoropolymer membrane that lies within the inner part of the degassing cell. The vacuum pump in the degassing cell forms a vacuum and, at the same time, it aspirates CO₂-free air – ambient air is drawn in by a CO₂ adsorption cartridge (32-4) that filters out the CO₂. The pressure and concentration difference this creates in the degassing cell relative to inside the capillary causes the CO₂ to be diffused out of the eluent stream.

2.18.2 Connecting the MCS

The MCS is connected between the MSM and the detector.

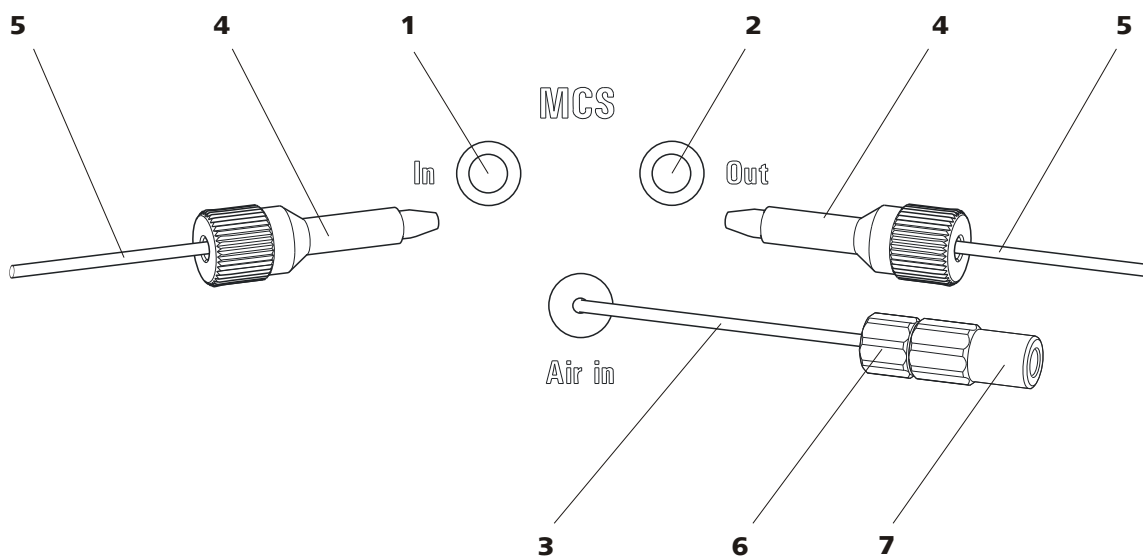


Figure 31 MCS – Connection

1 MCS input
Connection to MSM.

2 MCS outlet
Connection to the detector.

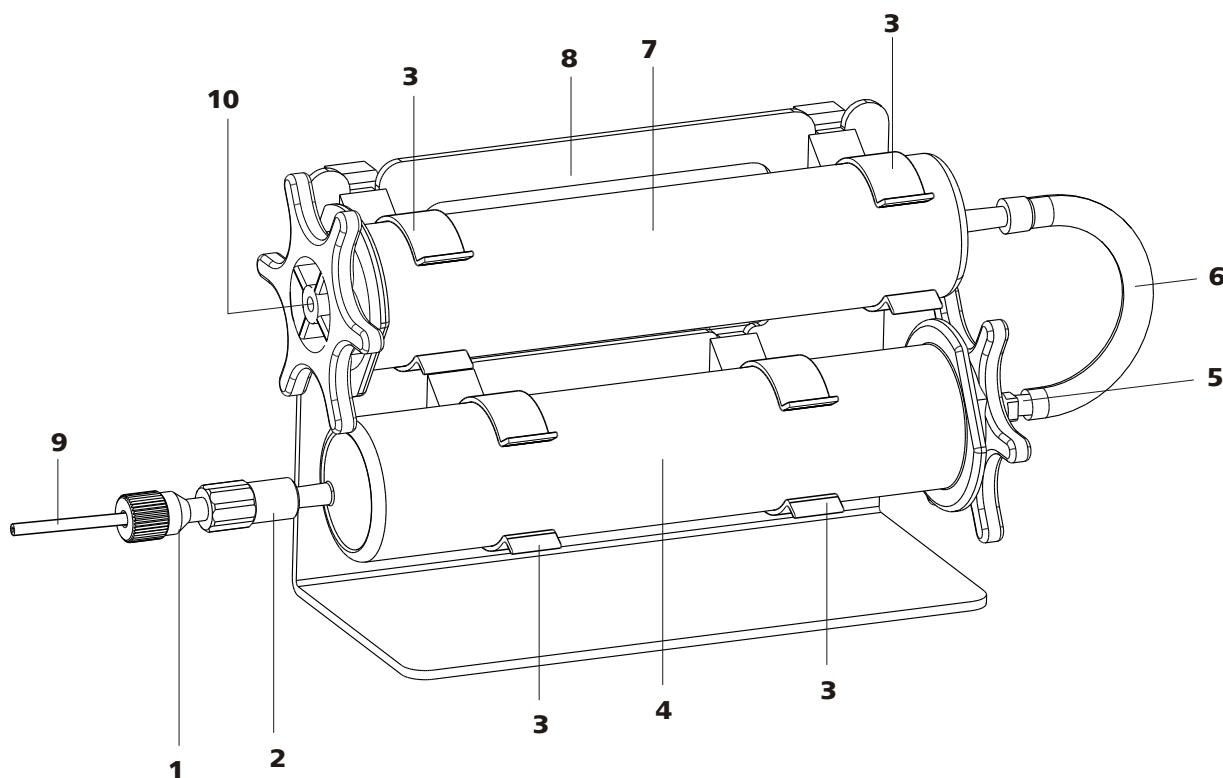


Figure 32 Adsorption cartridge holder

<p>1 PEEK pressure screw, short (6.2744.070) Pre-installed on the MCS aspiration capillary.</p>	<p>2 Luer coupling (6.2744.120) Pre-installed on the MCS aspiration capillary.</p>
<p>3 Clips For fastening the adsorption cartridges.</p>	<p>4 CO₂ adsorption cartridge (6.2837.000) For removing the CO₂ from the aspirated air. Filled in 3 layers, orange-brown-gray.</p>
<p>5 Adapter (6.1808.190) For connecting the H₂O adsorption cartridge and the CO₂ adsorption cartridge.</p>	<p>6 PVC tubing For connecting the H₂O adsorption cartridge and the CO₂ adsorption cartridge.</p>
<p>7 H₂O adsorption cartridge (6.2837.010) For removing the H₂O from the aspirated air. Filled with desiccant.</p>	<p>8 Adsorption cartridge holder (6.2057.080)</p>
<p>9 MCS aspiration capillary Connection to MCS. Corresponds to (31-3).</p>	<p>10 Air inlet To aspirate the ambient air. Stopper must be removed.</p>



Installing the adsorption cartridges

1 Preparing the adsorption cartridge holder

Push the 4 clips (32-3) into the slots on the adsorption cartridge holder (32-8).

2 Removing the caps

- Remove the sealing caps at the top of both cartridges.
- Replace the round sealing cap at the larger end of the H₂O adsorption cartridge with the star-shaped sealing cap.
Important! A small stopper is located in the center of the star-shaped sealing cap (on the air inlet (32-10)). It also has to be removed (see leaflet for H₂O adsorption cartridge).

3 Connecting the CO₂ adsorption cartridge

- Insert the CO₂ adsorber cartridge into the coupling (32-2) at the end of the MCS aspiration capillary.
- Click the CO₂ adsorption cartridge into both lower clips (32-3) of the adsorption cartridge holder (32-8).

4 Connecting the PVC tubing

- Insert the adapter (32-5) into the CO₂ adsorption cartridge.
- Fasten the PVC tubing (32-6) on the adapter (32-5).

5 Connecting the H₂O adsorption cartridge

- Insert the H₂O adsorption cartridge into the PVC tubing (32-6).
- Click the H₂O adsorption cartridge into both upper clips (32-3) of the adsorption cartridge holder (32-8).

6 Putting the adsorption cartridge holder into the instrument

- Place the adsorption cartridge holder with cartridges into the instrument's detector chamber.

2.19 Conductivity detector

The conductivity detector continuously measures the conductivity of the liquid passing through and indicates these signals in digital form (DSP – Digital Signal Processing). The conductivity detector exhibits outstanding thermal stability and thus guarantees reproducible measuring conditions.

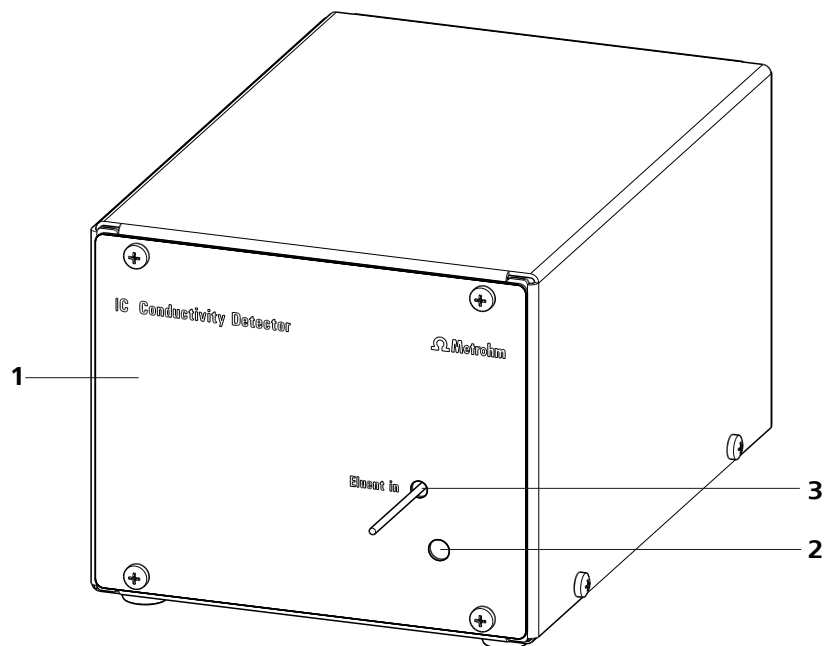


Figure 33 Conductivity detector front

1 IC detector 1.850.9010

2 Opening for temperature sensor

3 Detector input capillary
Permanently installed.

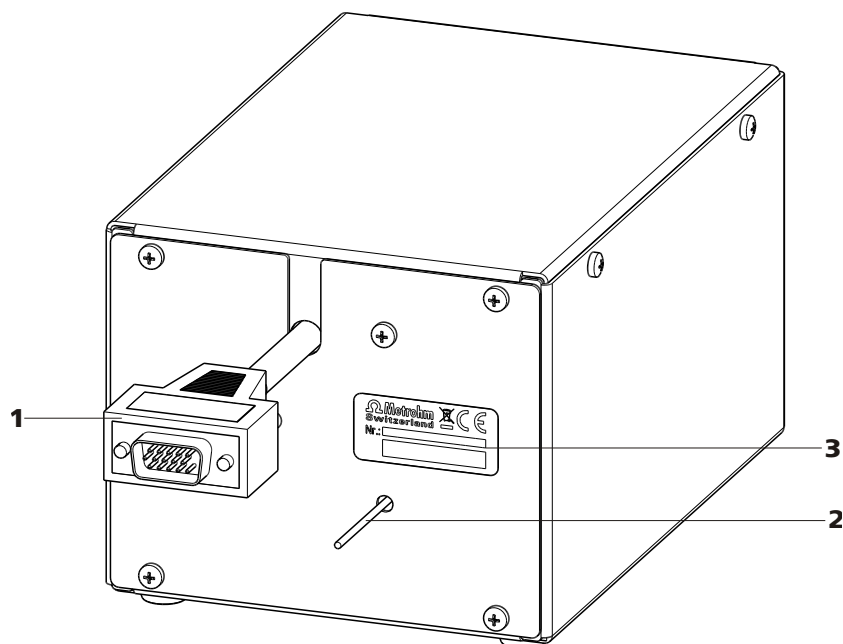


Figure 34 Conductivity detector rear

1 Detector cable
With mounted plug.

2 Detector output capillary
Permanently installed.

3 Type plate
With serial number.



NOTICE

In order to prevent unnecessary peak widening after separation, the connection between the outlet of the separation column and the inlet in the detector should be kept as short as possible.

Connecting the detector input capillary to the MCS

- 1 ■ Fasten the detector input capillary (35-1) using a 2.2744.090 long PEEK pressure screw (35-2) on the output of the MCS (35-3).

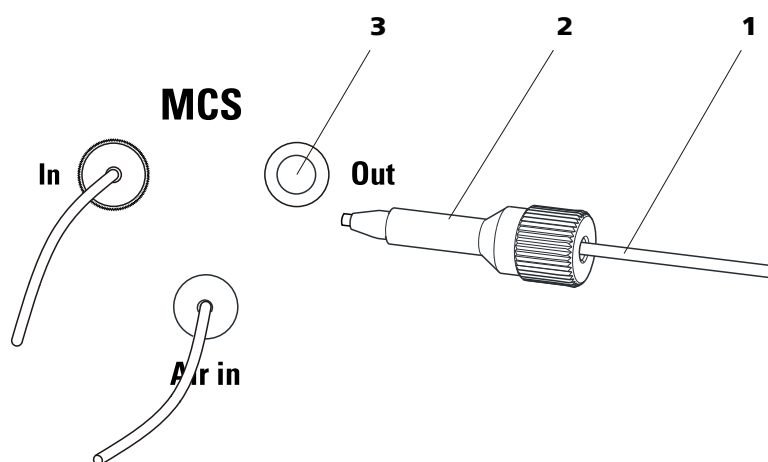


Figure 35 Connection detector – MCS

1 Detector input capillary

2 Pressure screw, long 6.2744.090

3 MCS output

2.20 Connecting the instrument to a computer



NOTICE

If the instrument is connected to the computer, then it must be switched off.

Accessories

For this step, you need the following accessories:

- USB connecting cable (6.2151.020)

Connecting the USB cable

- 1** Insert the USB cable into the computer connection socket on the rear of the instrument labeled *PC*.
- 2** Insert the other end into a USB port on the computer.



2.21 Connecting the instrument to the power grid



WARNING

Electric shock from electrical potential

Risk of injury by touching live components or through moisture on live parts.

- Never open the housing of the instrument while the power cord is still connected.
- Protect live parts (e.g. power supply unit, power cord, connection sockets) against moisture.
- Unplug the power plug immediately if you suspect that moisture has gotten inside the instrument.
- Only personnel who have been issued Metrohm qualifications may perform service and repair work on electrical and electronic parts.

Connecting the power cord

Accessories

Power cord with the following specifications:

- Length: max. 2 m
- Number of cores: 3, with protective conductor
- Instrument plug: IEC 60320 type C13
- Conductor cross-section 3x min. 0.75 mm² / 18 AWG
- Power plug:
 - according to customer requirement (6.2122.XX0)
 - min. 10 A



NOTICE

Do not use a not permitted power cord!

1 Plugging in the power cord

- Plug the power cord into the instrument's power socket.
- Connect the power cord to the power grid.

2.22 Guard column

The use of guard columns serves for protecting the separation columns and increasing their service life considerably. The guard columns available from Metrohm represent either actual guard columns or are so-called guard column cartridges which are used together with a cartridge holder. The installation of a guard column cartridge in the associated holder is described in the leaflet of the guard columns.



NOTICE

Information regarding which guard column is suitable for your separation column can be found in the **Metrohm IC Column Program** (which is available from your Metrohm agent), the leaflet provided along with your separation column, the product information on the separation column at <http://www.metrohm.com> (product area Ion Chromatography), or obtained directly from your agent.



CAUTION

New guard columns are filled with solution and are sealed on both sides with stoppers or caps, respectively. Before using the guard column, you need to ensure that this solution is miscible with the eluents used (observe manufacturer's data).



NOTICE

The guard column may only be installed after the **initial start-up** (see *chapter 3.1, page 67*) of the instrument. Until then, use the coupling (6.2744.040) instead of the guard and separation column.



NOTICE

Metrohm recommends, always to work with guard columns. These protect the separation column and can be exchanged regularly.



Connecting and rinsing the guard column

1 Connecting the guard column



CAUTION

When inserting the guard column, always ensure that it is inserted correctly corresponding to the flow direction (if indicated).

- Remove sealing caps and/or stoppers from the guard column.
- Fasten the input of the guard column to the column inlet capillary using a short PEEK pressure screw (6.2744.070).
- In case the guard column is mounted on the separation column with a connecting capillary, connect the included connection capillary, which is included with the guard column, to the output of the guard column using the PEEK pressure screw, which is also included.

2 Rinsing the guard column

- Place beaker under the outlet capillary of the guard column.
- Set the flow rate of the high pressure pump according to the data given in the leaflet of the separation column.
- Start the high pressure pump and rinse the guard column approx. 5 minutes with eluent.
- Switch off the high pressure pump again.

2.23 Separation column

The intelligent separation column (iColumn) is the heart of the ion chromatographic analysis. It separates the different components corresponding to their interactions with the column. Metrohm separation columns are equipped with a chip on which their technical specifications and their history (first use / setting up, operating hours, injections, ...) are saved.



NOTICE

Information regarding which separation column is suitable for your application can be found in the **Metrohm IC Column Program**, the product information for your separation column at <http://www.metrohm.com> in the product area ion chromatography, or obtained directly from your agent.



CAUTION

New separation columns are filled with solution and are sealed on both sides with stoppers. Before using the column, you need to ensure that this solution is miscible with the eluents used (observe manufacturer's data).

You can find the separation columns and guard columns currently available from Metrohm in the Metrohm IC Column Program, or in the Internet at <http://www.metrohm.com> in the product area Ion Chromatography. A test chromatogram and an leaflet are provided along with each column. You can request detailed information on special IC applications in the corresponding "**Application Bulletins**" or "**Application Notes**", available in the Internet at <http://www.metrohm.com> in the Applications area or via the Metrohm agent responsible free of charge.



NOTICE

The separation column may only be installed after the **initial start-up** (see chapter 3.1, page 67) of the instrument. Until then, use the coupling (6.2744.040) instead of the guard and separation column.

Connecting and rinsing the separation column

1 Connect the separation column



CAUTION

When inserting the columns, always ensure that these are correctly inserted corresponding to the flow direction indicated.

- Remove stoppers from the separation column.
- Attach the guard column to the input of the separation column.
OR
Connect the input of the separation column to the outlet capillary of the guard column, using the PEEK pressure screw (6.2744.070) included.
OR
If no guard column is used (not recommended), connect the column input capillary to the input of the separation column, using a PEEK pressure screw (6.2744.070).



2 Rinsing the separation column

- Place beaker under the outlet end of the separation column.
- Set the flow rate of the high pressure pump according to the data given in the leaflet of the separation column.
- Start the high pressure pump and rinse the separation column approx. 10 minutes with eluent.
- Switch off the high pressure pump again.

3 Mounting the separation column

- Fasten the column output capillary to the output of the separation column using a PEEK pressure screw (6.2744.070).
- Hang separation column with chip into the column holder.



NOTICE

The iColumns are equipped with a chip on which their operating data is saved. The chip has to be hooked into the chip holder provided for this so that the column recognition can function.

3 Start-up

The chapter *Start-up* is divided into 2 sections:

Initial start-up	The initial start-up is carried out during the initial installation .
Conditioning	Conditioning is carried out as a final installation step and each time after the system is started.

3.1 Initial start-up

The initial start-up is carried out during the initial installation. The entire system is rinsed before guard column and separation column are installed.



CAUTION

The separation column and guard column may not be installed for the initial start-up.

Make sure that the coupling (6.2744.040) is being used instead of the columns.

Perform the following steps during the initial start-up:

1 Preparing the software

- Start the PC program **MagIC Net™**.
- Open the **Equilibration** tab in MagIC Net™.
- Select (or create) a suitable method.

2 Preparing the instrument

- Ensure that the eluent aspiration tubing is immersed in the eluent and that there is enough eluent in the eluent bottle.
- Ensure that the aspiration tubings for the auxiliary solutions (regeneration solution and rinsing solution) are immersed into the respective solutions and that there is enough solution in the bottles.
- Switch on the instrument.

3 Starting equilibration

- In MagIC Net™, start the equilibration.



4 Deaerate the high pressure pump

- Deaerate the high pressure pump(s) via the purge valve (*see chapter 2.10.2, page 36*).

5 Set the contact pressure of the peristaltic pump



NOTICE

This work step needs to be performed only if a peristaltic pump is being used.

- If peristaltic pumps are used, set the contact pressure (*see "Set flow rate", page 54*).

6 Rinsing the instrument without columns

- Rinse the instrument (without columns) with eluent for 5 minutes.

The instrument is now ready for the installation of the columns (*see chapter 2.22, page 63*).

3.2 Conditioning

After the installation and after switching on the instrument, the system must be conditioned with eluent until a stable baseline is reached.



NOTICE

After a change of eluent (*see chapter 4.4.2.3, page 73*), the conditioning time can lengthen considerably.

Conditioning the system

1 Preparing the software



CAUTION

Ensure that the flow set is not higher than the flow permissible for the corresponding column (see column leaflet and chip data set).

- Start the PC program **MagIC Net™**.
- Open the **Equilibration** tab in MagIC Net™.

- Select (or create) a suitable method.

2 Preparing the instrument

- Ensure that the column is correctly mounted according to the flow direction indicated on the label (arrow must point in the direction of flow).
- Ensure that the eluent aspiration tubing is immersed in the eluent and that there is enough eluent in the eluent bottle.
- Ensure that the aspiration tubings for the auxiliary solutions (regeneration solution and rinsing solution) are immersed into the respective solutions and that there is enough solution in the bottles.

3 Checking leak-tightness

- In MagIC Net™, start the equilibration.
- Check all capillaries and their connections from the high pressure pump to the detector for signs of liquid escaping. If eluent escapes anywhere, tighten the corresponding pressure screw or loosen the connection, check the end of the capillary, shorten it with a capillary cutter if necessary, and restore the connection.

4 Conditioning the system

Rinse the system with eluent until the required stability of the baseline is attained (normally 30 minutes).

During this time, step the MSM to the next position every 10 minutes.

The instrument is now ready for measuring samples.

4.1.3 Operation



CAUTION

In order to avoid disturbing temperature influences, the entire system including the eluent bottle must be protected against direct sunlight.

4.1.4 Shutting down

If the instrument is not used for a longer period, the whole IC system (except the columns) must be rinsed salt free with methanol/ultrapure water (1:4), in order to prevent eluent salts from forming crystals which may cause subsequent damage.

Rinsing salt free the IC system

To rinse the system, proceed as follows:

- 1 Remove the separation column from the eluent path. Connect the connection capillaries directly with each other using a coupling (6.2744.040).
- 2 Rinse the IC system with methanol/ultrapure water (1:4) for 15 minutes.

Rinse with eluent for at least 15 minutes at starting up again and before connecting the guard column and separation column.

4.2 Capillary connections

4.2.1 Operation

All connections between injection valve, separation column and detector must be as short as possible, have a low dead volume and be completely leak-tight. The PEEK capillary after the detector must be free of blockages. Only use PEEK capillaries with an internal diameter of 0.25 mm in the high-pressure section between the high pressure pump and the detector.



4.3 Door



CAUTION

The door is made of PMMA (polymethylmetacrylate). It must never be cleaned with abrasive media or solvents.



CAUTION

Never use the door as a handle.

4.4 Eluent

4.4.1 Production

Chemicals used for manufacturing eluents must have a purity grade of at least "p.a.". Only ultrapure water (resistance > 18.2 M Ω *cm) may be used for dilution (this generally applies for reagents which are used in ion chromatography).

Newly manufactured eluents always have to be microfiltered (0.45 μ m filter).

The composition of the eluent plays a critical role in chromatographic analysis:

Concentration	An increase in the concentration generally leads to shorter retention times and faster separation, but also to a higher background conductivity signal.
pH	pH changes lead to shifts in dissociation equilibria and thus to changes in retention times.
Organic solvents	Adding an organic solvent (e.g. methanol, acetone or acetonitrile) to watery eluents generally speeds up lipophilic ions.

4.4.2 Operation

4.4.2.1 Supply bottle

The supply bottle with the eluent must be connected as indicated in *chapter 2.8.1, page 28*. This is particularly important for eluents with volatile solvents (e.g. acetone).

Condensation in the eluent bottle must be avoided. Drop formation can change the concentration ratio in the eluent.

In the case of very sensitive measurements, we recommend that the eluent be stirred constantly with a magnetic stirrer (e. g. the 2.801.0010 with 6.2070.000).

4.4.2.2 Aspiration filter

To protect the IC system from foreign particles, we recommend aspirating the eluent via an aspiration filter (6.2821.090) (**12-2**). This aspiration filter must be replaced if it takes on a yellowish discoloration, and at least every 3 months.

4.4.2.3 Changing the eluent

Prevent any precipitations when changing the eluent. Immediately successive solutions must always be miscible. If the system has to be rinsed with organic solvents, use several solvents with rising or falling lipophilicity.

4.5 High pressure pump

4.5.1 Protection



CAUTION

The pump head is filled ex works with methanol/ultrapure water. It must be ensured that the eluent used is freely miscible with the solvent remaining in the pump head.

To protect the high pressure pump against **foreign particles**, we recommend that the eluent undergoes a **microfiltration** (filter 0.45 µm) before being aspirated via a 6.2821.090 aspiration filter (*see "Assembling eluent aspiration tubing", page 28*).

Salt crystals between the piston and seal cause abrasion particles which can find their way into the eluent. These lead to contaminated valves, a rise in pressure and in extreme cases scratched pistons. It is therefore essential to ensure that **no precipitates** can occur (*see chapter 4.4.2.3, page 73*).

**CAUTION**

In order to spare the pump seals, the pump should not be operated dry. Therefore ensure that the eluent supply is correctly connected and that there is enough eluent in the eluent bottle each time before switching on the pump.

4.5.2 Maintenance**CAUTION**

Maintenance work on the high pressure pump may not be carried out unless the **instrument is switched off**.

Pump head maintenance

An unstable baseline (pulsation, flow fluctuations) is in many cases the result of contaminated valves (42-2), (42-3) or defective, leaking piston seals on the high pressure pump. Proceed as follows for cleaning contaminated valves and/or replacing worn parts such as pistons, piston seal and valves:

This maintenance work should be carried out at least once a year.

Removing the pump head

- 1 Switch off high pressure pump and wait until pressure is released.
- 2 Loosen the pressure screw on the inlet valve holder (17-6) and unscrew the pump head input capillary (17-7), the coupling (17-9), and the eluent aspiration tubing from the pump head.

In the process, eluent will spill. Hold the eluent aspiration tubing up high and allow the eluent to flow back into the eluent bottle.
- 3 Unscrew the pump head outlet capillary (17-13) from the pump head.
- 4 Remove pump head from the pump housing by loosening the 4 fastening screws (17-5) using the hexagon key (6.2621.030). The main piston is on the left (viewed from the front), and the auxiliary piston is on the right.

Cleaning/replacing the zirconium oxide piston

Clean one piston after the other as follows:

1 Removing the piston cartridge from the pump head

Loosen the piston cartridge with a wrench and unscrew from the pump head by hand.

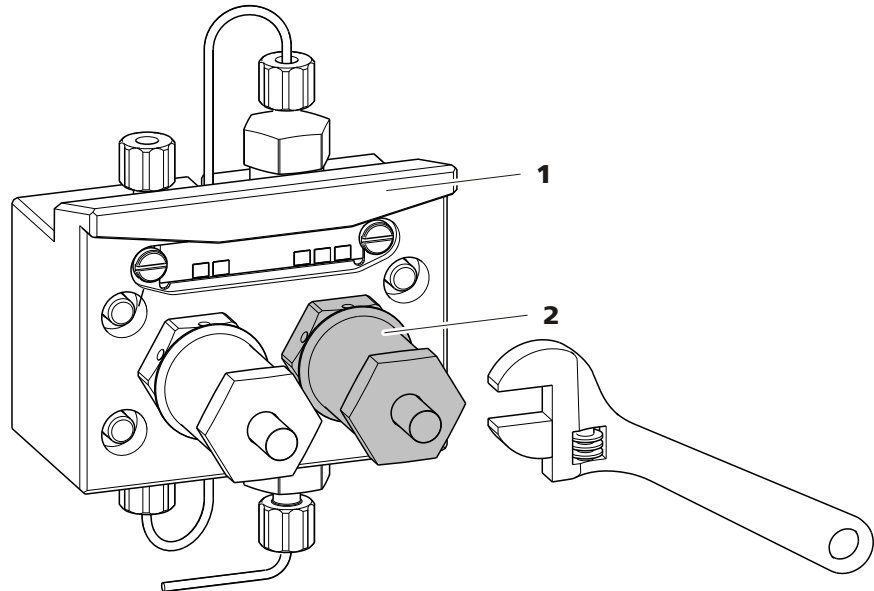


Figure 36 Pump head – removing the piston

1 Pump head

2 Piston cartridge

2 Dismantling the piston



CAUTION

On the inside of the piston cartridge there is a taut spring than can jump out of the piston cartridge if suddenly losing tension.

When opening the piston cartridge, hold pressure towards the spring and unscrew carefully.

- Loosen the screw of the piston cartridge with a wrench and unscrew carefully by hand and by holding pressure towards the taut spring.
- Remove the zirconium oxide piston and lay on a tissue.
- Remove the spring retainer, spring and the inner plastic sleeve from the piston cartridge and lay by.



- Remove the backup ring from the pump head and lay to the other parts.

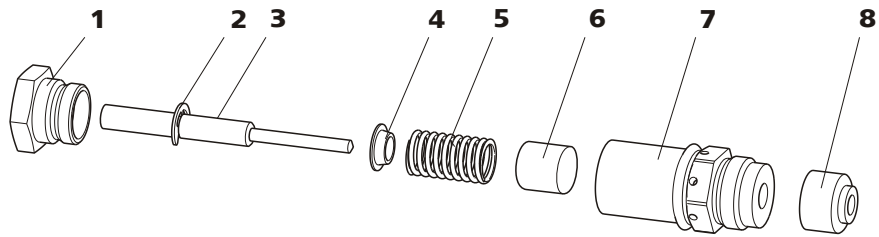


Figure 37 Components of the piston cartridge

1	Piston cartridge screw	2	Retaining washer
3	Zirconium oxide piston with piston shaft Order number: 6.2824.070	4	Spring retainer
5	Spring Order number: 6.2824.060	6	Inner plastic sleeve Protects from metallic abrasion.
7	Piston cartridge	8	Backup ring

3 Cleaning the components of the piston

- Clean zirconium oxide pistons contaminated by abrasion or deposits with fine abrasive cleaning powder, rinse particle free with ultrapure water and dry.
Replace highly contaminated or scratched zirconium oxide pistons (spare part: 6.2824.070 zirconium oxide piston).
- Rinse the other parts of the piston and dry with a lint-free cloth.

4 Assembling the piston

- Insert the inner plastic sleeve, spring and spring retainer into the piston cartridge.
- Slide the zirconium oxide piston carefully into the piston cartridge until its tip emerges from the small opening of the piston cartridge.
- Attach screw and tighten by hand.

Replacing the piston seal

The special tool (6.2617.010) (see figure 38, page 77) is necessary to remove the piston seal from the pump head. It consists of two parts: a tip

for removing the old piston seal and a sleeve for inserting the new piston seal.

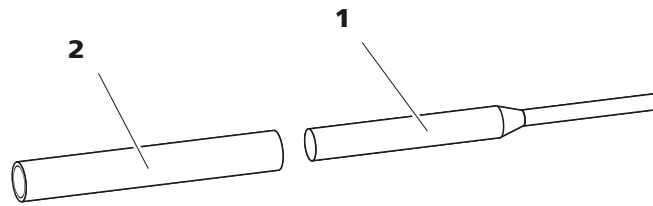


Figure 38 Tool for piston seal

1 Pin

Tip for removing the old piston seal.

2 Sleeve

Sleeve for inserting the new piston seal.



CAUTION

Screwing the special tool for the piston seal (6.2617.010) into the piston seal destroys this completely!

1 Removing the piston seal



CAUTION

Avoid touching the sealing surface in the pump head (17-4) with the tool.

Screw the special tool for the piston seal (38-1) with the narrow side just as far into the piston seal as the same can be removed.

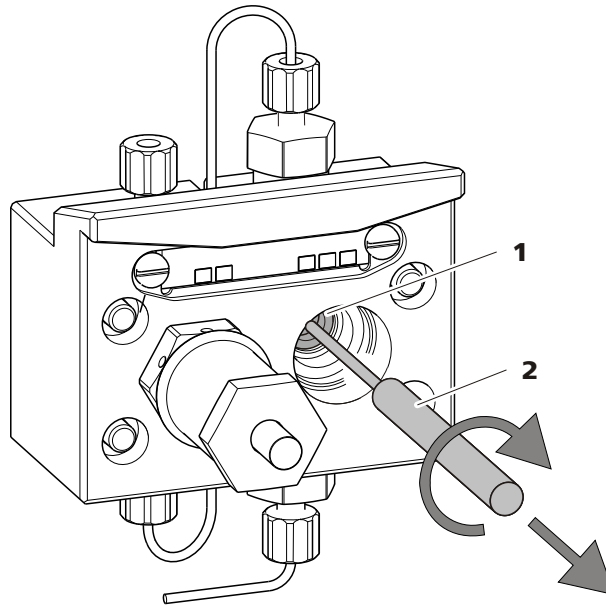


Figure 39 Removing the piston seal

1 Piston seal

2 Tool for piston seal
Pin of the tool.

2 Inserting the new piston seal into the tool

Insert the new piston seal tightly by hand into the recess of the sleeve of the tool for the piston seal (38-2). The sealing springs must be visible from the outside.

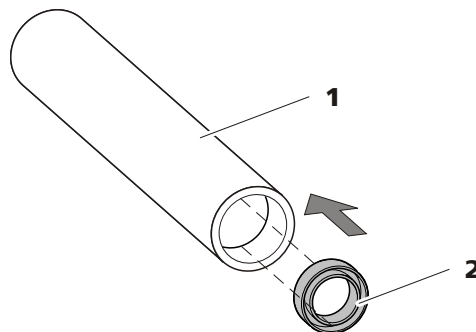


Figure 40 Inserting the piston seal into the tool

1 Tool for piston seal (6.2617.010)
Sleeve for inserting the new piston seal.

2 Piston seal
Order number: 6.2741.020

3 Inserting the new piston seal into the pump head

Guide the sleeve of the tool for the piston seal (38-2) with inserted piston seal into the pump head and press the seal with the wide end of the tool for the piston seal (38-1) into the pump head recess.

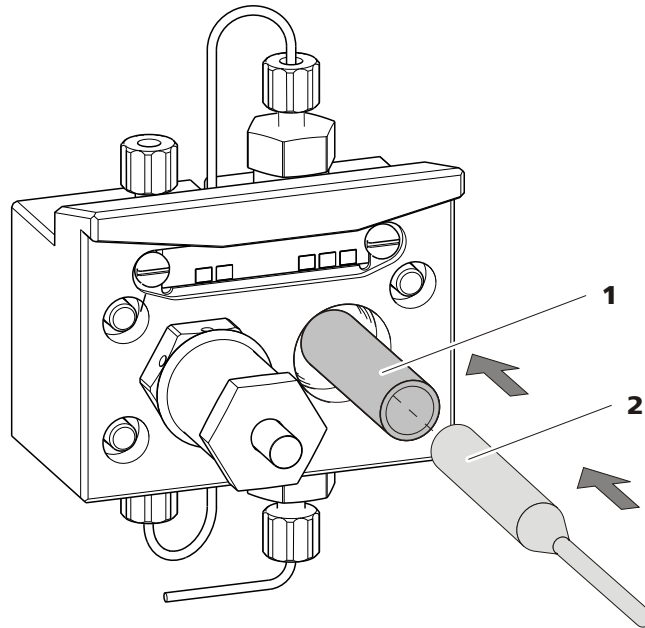


Figure 41 Inserting the piston seal into the pump head

4 Replacing the piston cartridge

Screw the assembled piston cartridge back into the pump head and tighten, first by hand, then additionally by approx. 15° with a wrench.

Cleaning the inlet valve and outlet valve

1 Removing valves

- Unscrew the connection capillary for the auxiliary piston (17-1) from the outlet valve holder.
- Unscrew the holders for the inlet and outlet valves and remove the valves (42-3) and (42-2).

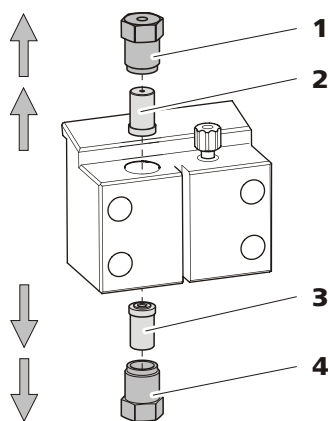


Figure 42 Removing valves

1 Outlet valve holder	2 Outlet valve Order number: 6.2824.160
3 Inlet valve Order number: 6.2824.170	4 Inlet valve holder

2 Cleaning undissected valve

Clean contaminated or blocked valves initially **without** dismantling them completely.

- Rinse the valve in eluent flow and counterflow direction using a spray bottle filled with ultrapure water, RBS solution or acetone.
- The rinsing effect is further increased through a short treatment (lasting for a maximum of 20 s) in an ultrasonic bath.



NOTICE

Longer lasting ultrasonic baths can damage the ruby ball of the valve.

Only if this cleaning is useless, dismantle the valves separately and clean the components.

3 Dismantling valve

Dismantle every valve separately.



NOTICE

For dismantling the valve the tool for valve cartridges (6.2617.020) is required.

- Place the valve with the seal faced downwards above the recess in the holder.
- Push the valve components out of the valve housing using the needle of the tool.

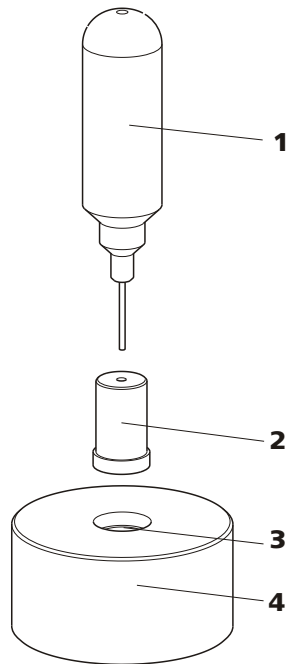


Figure 43 Dismantling valve

1 Needle

For pushing the valve components out of the valve housing.

2 valve

3 Recess

For collecting the valve components.

4 Holder

The components of the valve are collected in the recess of the holder.



NOTICE

The components of the valve are very small. In order not to lose them, put the components into a dish.

- The inlet valve and the outlet valve consist of the same, just differently arranged components (*see figure 44, page 82*).

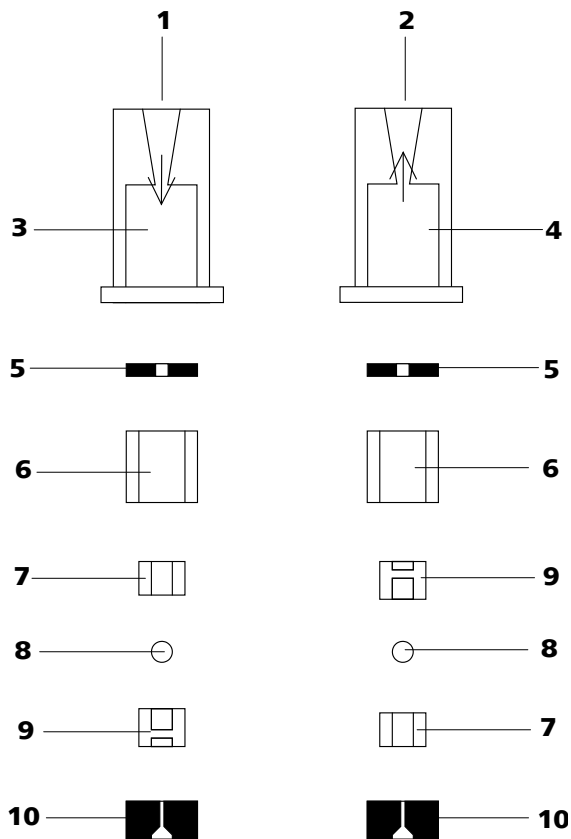


Figure 44 Components of the inlet valve and outlet valve

1	Inlet valve (6.2824.170)	2	Outlet valve (6.2824.160)
3	Inlet valve housing	4	Outlet valve housing
5	Sealing ring (black)	6	Sleeve
7	Sapphire sleeve The shiny side must point to ruby ball.	8	Ruby ball
9	Ceramic holder for ruby ball	10	Seal The larger opening must point outwards.

4 Cleaning the components of the valve

Rinse the valve components with ultrapure water and/or acetone and dry with a lint-free cloth.

5 Reassembling the valve

Reassemble valve components *according to figure 44, page 82*.

- Insert the seal with the larger opening faced downwards into the recess of the tool.
- Lay the other valve components above another in the correct sequence (*see figure 44, page 82*).

- Place over the valve housing and hold it tightly.
- By tilting the tool, the valve components slide into the valve housing.
- Press the seal by hand well on the valve housing.

6 Checking the flow direction

Rinse the valve in the direction of the arrow on the valve housing and check whether liquid is escaping on the other end.

If this is not the case, the valve has to be dismantled again and be reassembled correctly (*see figure 44, page 82*).

7 Inserting the valves back into the pump head



CAUTION

If by mistake, the inlet valve is mounted instead of the outlet valve, an extreme pressure builds up within the working cylinder, which can destroy the piston seal!

When inserting the valves, please take into account that the liquid is being pumped through the pump head from bottom to top.

- Insert the inlet valve into the inlet valve holder the way the seal is visible.
- Screw the inlet valve holder into the bottom of the pump head and tighten with a wrench (42-4).
- Insert the outlet valve into the outlet valve holder the way the seal is visible.
- Screw the outlet valve holder into the top of the pump head and tighten with a wrench (42-1).



Mounting the pump head



NOTICE

To prevent the pump head from being positioned the wrong way, it is provided with different bore hole depths for the fastening bolts, i. e. a fastening bolt is longer than all others. The bore hole with the greatest depth must therefore be assigned to the longest bolt. If this is not the case, the pump will not function perfectly.

- 1** Mount the pump head on the pump again using the four fastening screws (17-5). Firmly tighten the screws with the hexagon key (6.2621.030).
- 2** Screw connection capillaries (17-1), (17-7) and (17-13) onto the pump head again.

4.6 Inline filter

4.6.1 Maintenance

The inline filter (6.2821.120) comprises the filter housing (45-2), the filter screw (45-4) and the filter (45-3). New filters (45-3) are available under the order number 6.2821.130 (10 items).

The filters (6.2821.130) (45-3) should be changed every 3 months (more frequently at higher backpressure).

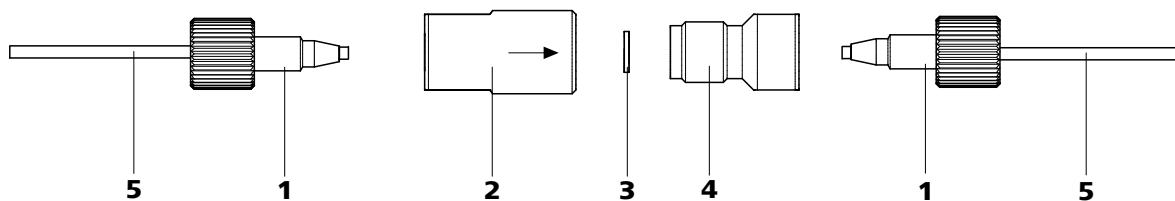


Figure 45 Change filters (of the inline filter)

1 PEEK pressure screws, short (6.2744.070)

3 Filter (6.2821.130)
Packaging contains 10 items.

5 Connection capillaries

2 Filter housing
Housing of the inline filter. Part of the 6.2821.120 accessories.

4 Filter housing
Screw of the inline filter. Part of the 6.2821.120 accessories.

Changing the filter

The flow must be stopped before changing the filter.

1 Removing the inline filter

- Unscrew the pressure screws (45-1) from the inline filter.

2 Unscrewing the filter screw

- Screw the filter screw (45-4) out of the filter housing (45-2) with the aid of two adjustable wrenches (6.2621.000).

3 Inserting the filter

- Remove the old filter (45-3) using tweezers.
- Place the new filter (45-3) flat in the filter housing (45-2) using tweezers.

4 Mounting filter screw

- Screw the filter screw (45-4) back into the filter housing (45-2) and tighten by hand. Then additionally tighten slightly with two adjustable wrenches (6.2621.000).

5 Remounting the inline filter

- Screw pressure screws (45-1) back onto the inline filter.

6 Rinsing the inline filter

- Dismantle the guard column (if present) and the separation column and replace with a coupling (6.2744.040).
- Rinse the instrument with eluent.



4.7 Inline sample preparation

To protect the separation column (*see chapter 2.23, page 64*) against foreign particles which can affect the separating efficiency, we recommend that all samples undergo a microfiltration (filter 0.45 µm). The ultrafiltration cell can be used for **filtration** (*see manual of the IC Equipment for Ultrafiltration*).

Samples containing significant amounts of **gas** should be degassed. The sample degasser (*see chapter 2.13, page 40*) is used for degassing.

Matrix-loaded samples (e.g. blood, oil) should be prepared for the measurement by means of dialysis (*see manual on the IC Equipment for Dialysis*).

If the concentration of the sample is too high, the sample should be **diluted** before feeding (*see documentation on the IC Equipment for Sample Dilution*).

For the sample preparation methods **Neutralization** (replacement of e.g. Na⁺ with H⁺) and **cation exchange** (replacement of e.g. heavy metals with H⁺), a sample preparation module (SPM) is used.

For an overview of all Metrohm inline sample preparation methods go to the following website: <http://misp.metrohm.com>

4.8 Rinsing the sample path

Before a new sample can be measured, the sample path must be rinsed with it so that the measuring result is not falsified by the previous sample (**Sample carry-over**).

In the case of automated sample feeding, the rinsing time should be at least 3 times the **transfer time**.

The transfer time is the time required by the sample to flow from the sample vessel to the end of the sample loop. The transfer time depends on the pump capacity of the peristaltic pump or the Dosino used, the total capillary volume and the volume of the gas removed by the sample degasser (if used) - in other words the amount of gas in the sample.

Ascertaining the transfer time

To ascertain the transfer time, proceed as follows:

1 Emptying the sample path

Pump air through the sample path (pump tubing, tubing connections, capillary in the degasser, sample loop) for several minutes until all liquid is displaced by the air.

2 Aspirating the sample and measuring time

Aspirate a sample typical for the later application and use a stop watch to measure the time required by the sample to travel from the sample vessel to the end of the sample loop.

The time measured corresponds to the "transfer time". The rinsing time should be at least 3 times the transfer time.

Checking the rinsing time

It is possible to determine whether the rinsing time is adequate via a direct measurement of the sample carry-over. Proceed as follows:

1 Preparing two samples

- **Sample A:** A typical sample for the application.
- **Sample B:** Ultrapure water.

2 Determining "Sample A"

Let "Sample A" pass through the sample path for the duration of the rinsing time, then inject and measure.

3 Determining "Sample B"

Let "Sample B" pass through the sample path for the duration of the rinsing time, then inject and measure.

4 Calculating the sample carry-over

The degree of the sample carry-over corresponds to the ratio of the peak areas of the measurement for sample B to the measurement for sample A. The lower the ratio, the lower the sample carry-over. This ratio can be modified by varying the rinsing time – thus allowing the rinsing time required for the application to be ascertained.

In order to record every new chromatogram under comparable conditions, you should normally work with a freshly regenerated suppressor.



CAUTION

The MSM must never be switched over in a dry state, as there is a risk of jamming. If the MSM is in a dry state, the MSM must be rinsed for at least 5 minutes before it may be switched over.



CAUTION

In the case of reduced capacity or high backpressure, the MSM must be regenerated (*see chapter 4.11.3.1, page 89*), cleaned (*see chapter 4.11.3.2, page 90*) or replaced (*see chapter 4.11.3.3, page 93*).

4.11.3 Maintenance

4.11.3.1 Regenerating the MSM

If the suppressor units are loaded for a longer period with certain heavy metals (e.g. iron) or organic impurities, these can no longer be completely removed with the regeneration solution (50 mmol/L H₂SO₄) normally used. The capacity of the suppressor units is consequently affected, which can result in reduced phosphate sensitivity in less serious cases and a significant rise in the baseline in more serious cases. If such capacity problems occur at one or more positions, the suppressor units must be regenerated:

Regenerating the MSM

Regenerate the MSM as follows:

1 Disconnecting the MSM from the IC system

- Disconnect the MSM from the separation column and detector.

2 Regenerating the MSM



CAUTION

The pump tubing made of PVC must not be used for rinsing with solutions containing organic solvents. In this case, other pump tubing must be used for rinsing.

**NOTICE**

The high pressure pump can be used for regeneration. For this, remove the guard column and separation column and connect the capillary directly to the MSM (regenerate in opposite direction).

- Rinse the 3 suppressor units with the following solutions for about 15 minutes each:
 - **Contamination with heavy metals:**
1 mol/L H₂SO₄ + 0.1 mol/L oxalic acid
 - **Contamination with organic cationic complexing agents:**
0.1 mol/L H₂SO₄ / 0.1 mol/L oxalic acid / acetone 5%
 - **Severe contamination with organic substances:**
0.2 mol/L H₂SO₄ / acetone ≥ 20%

3 Connecting the MSM to the IC system

- Reconnect the MSM to the IC system. If the capacity problems remain, MSM rotor A must be replaced (*see chapter 4.11.3.3, page 93*).

4.11.3.2 Cleaning the MSM

It may be necessary to clean the MSM in the following cases:

- Increased backpressure onto the output capillaries of the MSM.
- Blockage of the MSM which cannot be eliminated (solutions can no longer be pumped through the MSM).
- Jamming of the MSM which cannot be eliminated (MSM can no longer be switched over).

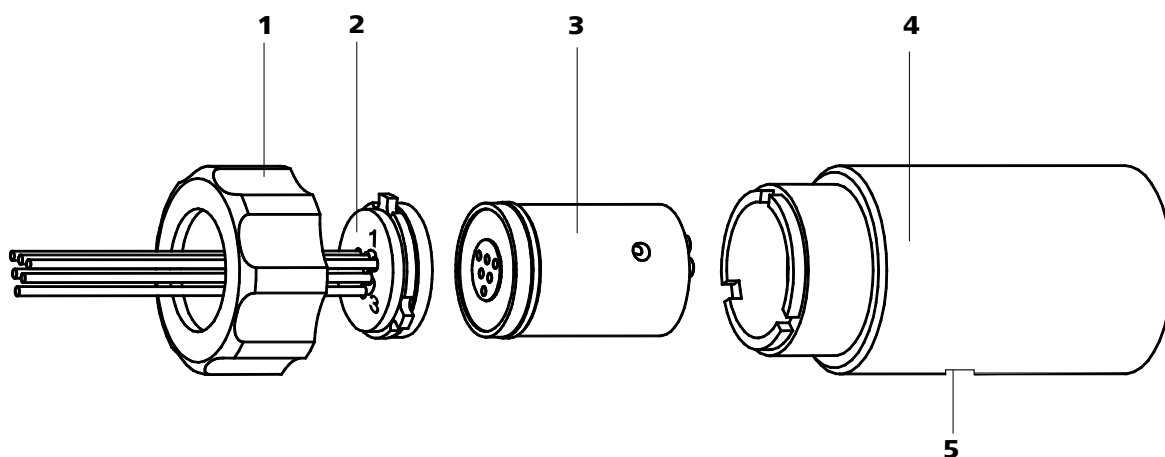


Figure 46 MSM – Components

1	Union nut	2	MSM connecting piece 6.2832.010
3	MSM rotor A 6.2832.000	4	MSM housing
5	Slot in the MSM housing		

Cleaning the MSM

Clean the MSM as follows:

1 Disconnecting the MSM from the IC system

- Switch off the instrument.
- Disconnect the MSM from the separation column, peristaltic pump and detector.

2 Dismantling the MSM

- Unscrew union nut (46-1) from the MSM housing (46-4).
- Pull MSM connecting piece (46-2) and MSM rotor A (46-3) out of the MSM housing (46-4). The MSM connecting piece and MSM rotor A normally stick to one another - if this is not the case: Take a sharp object, insert into the slot (46-5) in the MSM housing, and pull out MSM rotor A (46-3) in this way.
- Detach the MSM connecting piece (46-2) from MSM rotor A (46-3).

3 Cleaning the supply and discharge lines

- Connect in turn each of the 6 capillary tubings fastened on the MSM connecting piece (46-2) on the high pressure pump (see chapter 2.10, page 34) and pump through ultra pure water.



- Check whether solution emerges at the MSM connecting piece (46-2). If one of the supply or discharge lines remained blocked, the SPM connecting piece (46-2) must be replaced (order number 6.2832.010).

4 Cleaning the MSM rotor A

- Clean sealing surface of the MSM rotor A (46-3) with ethanol using a lint-free cloth.

5 Inserting the MSM rotor A



CAUTION

An incorrectly inserted MSM rotor A (46-3) can be **destroyed** during start-up.

- Insert the MSM rotor A (46-3) into the MSM housing (46-4) in such a way that the tubing connections on the rear of MSM rotor A fit into the corresponding recesses inside the MSM housing and one of the three holes of the MSM rotor A is visible from below in the slot of the MSM housing (46-5).
- If the MSM rotor A (46-3) is correctly inserted, its sealing area will be approx. 4 mm within the MSM housing (46-4). If this is not the case, MSM rotor A must be moved into the right position from below using a sharp object (e.g. screwdriver).

6 Cleaning the MSM connecting piece

- Clean sealing surface of the MSM connecting piece (46-2) with ethanol using a lint-free cloth.

7 Inserting the MSM connecting piece

- Insert the MSM connecting piece (46-2) into the MSM housing (46-4) in such a way that the connector 1 is on top and the three pins of the MSM connecting piece fit into the corresponding recesses on the MSM housing (46-4).

8 Connecting and conditioning the MSM

- Reconnect the MSM to the IC system.
- Before switching the MSM over for the first time, rinse the three suppressor units with solution for 5 minutes.

4.11.3.3 Replacing parts of the MSM

It may be necessary to replace parts of the MSM in the following cases:

- Loss of suppression capacity which cannot be eliminated (reduced phosphate sensitivity and/or significant rise in the baseline).
- Blockage of the MSM which cannot be eliminated (solutions can no longer be pumped through the suppressor).

Both the MSM rotor A (46-3) and the MSM connecting piece (46-2) with its supply and discharge lines can be replaced.

Replacing parts of the MSM

Replace parts of the MSM as follows (see figure 46, page 91):

1 Disconnecting the MSM from the IC system

- Switch off the instrument.
- Disconnect the MSM from the separation column, peristaltic pump and detector.

2 Dismantling the MSM

- Unscrew union nut (46-1) from the MSM housing (46-4).
- Pull MSM connecting piece (46-2) and MSM rotor A (46-3) out of the MSM housing (46-4). The MSM connecting piece and MSM rotor A normally stick to one another - if this is not the case: Take a sharp object, insert into the slot (46-5) in the MSM housing, and pull out MSM rotor A (46-3) in this way.
- Detach the MSM connecting piece (46-2) from MSM rotor A (46-3).

3 Cleaning the new MSM rotor A

- Clean the sealing surface of the new MSM rotor A (46-3) with ethanol using a lint-free cloth.

4 Inserting the new MSM rotor A



CAUTION

An incorrectly inserted MSM rotor A (46-3) can be **destroyed** during start-up.



- Insert the new MSM rotor A (46-3) in the MSM housing (46-4) in such a way that the tubing connections on the rear of MSM rotor A fit into the corresponding recesses inside the MSM housing and one of the three holes of MSM rotor A is visible from below in the slot (46-5) of the MSM housing.
- If the MSM rotor A (46-3) is correctly inserted, its sealing area will be approx. 4 mm within the MSM housing (46-4). If this is not the case, MSM rotor A must be moved into the right position from below using a sharp object (e.g. screwdriver).

5 Cleaning the MSM connecting piece

- Clean the sealing surface of the MSM connecting piece (46-2) with ethanol using a lint-free cloth.

6 Inserting the new MSM connecting piece

- Insert the MSM connecting piece (46-2) into the MSM housing (46-4) in such a way that the connector 1 is on top and the three pins of the MSM connecting piece fit into the corresponding recesses on the MSM housing (46-4).

7 Connecting and conditioning the MSM

- Reconnect the MSM to the IC system.
- Before switching the MSM over for the first time, rinse the three suppressor units with solution for 5 minutes.

4.12 Peristaltic pump

4.12.1 Operation

The pumping capacity of the peristaltic pump depends on the drive speed (set via software), the contact pressure and, above all, the internal diameter of the pump tubing. Depending on the application, different pump tubings are used.



CAUTION

The service life of the pump tubings also depends on the contact pressure. Therefore fully lift the tubing cartridges by loosening the snap-action lever (28-10) on the right-hand side if the peristaltic pump is to be turned off for a longer period. Once set, the contact pressure remains unaffected.

**CAUTION**

The 6.1826.xxx pump tubings consist of PVC or PP and therefore must not be used for rinsing with solutions containing acetone. In this case, use other pump tubings or use another pump for rinsing.

4.12.2 Maintenance**4.12.2.1 Pump tubings**

Pump tubings used for the peristaltic pump are consumables with a limited lifetime.

LFL pump tubings with three stoppers are inserted into the tubing cartridge in such a way that the cartridge is located between two stoppers. This results in two possible positions for the tubing cartridge. If the pump tubing was to show pronounced signs of wear, you can insert it a second time in the other position.

Replace the pump tubings periodically, approx. every four weeks if used continuously.

Pump tubing selection

Pump tubing can differ in terms of material, diameter and thus flow rate. Different pump tubing is used depending on the application.

The following table shows the properties and areas of application of the pump tubings:

Table 2 Pump tubings

Order number	Name	Material	Inner diameter	Use
6.1826.020	Pump tubing (blue/blue), 2 stoppers	PVC (Tygon® ST)	1.65 mm	Pump tubing for online IC instruments and automation in voltammetry.
6.1826.310	Pump tubing LFL (orange/green), 3 stoppers	PVC (Tygon®)	0.38 mm	Pump tubing for bromate determination using the triiodide method.
6.1826.320	Pump tubing LFL (orange/yellow), 3 stoppers	PVC (Tygon®)	0.48 mm	For acceptor solutions for Inline Dialysis and for Inline Ultrafiltration.
6.1826.330	Pump tubing LFL (orange/white), 3 stoppers	PVC (Tygon®)	0.64 mm	No special applications.



Order number	Name	Material	Inner diameter	Use
6.1826.340	Pump tubing LFL (black/black), 3 stoppers	PVC (Tygon®)	0.76 mm	For sample solution in Inline Dialysis.
6.1826.360	Pump tubing LFL (white/white), 3 stoppers	PVC (Tygon®)	1.02 mm	For sample transfer.
6.1826.380	Pump tubing LFL (gray/gray), 3 stoppers	PVC (Tygon®)	1.25 mm	For Inline Dilution.
6.1826.390	Pump tubing LFL (yellow/yellow), 3 stoppers	PVC (Tygon®)	1.37 mm	For sample solution in Inline Ultrafiltration.

4.12.2.2 Pump tubing connection with filter

The 6.2821.130 filters (47-2) should be changed every 3 months, more frequently at higher backpressure.

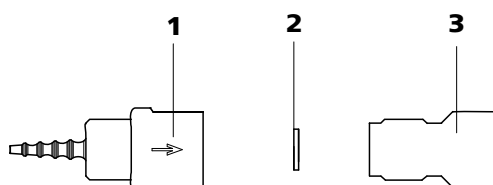


Figure 47 Pump tubing connection – Changing the filter

1 Tubing olive

2 Filter 6.2821.130
Packaging contains 10 items.

3 Filter housing

Replacing the filter

1 Unscrewing filter screw

- Screw the filter screw (47-3) out of the tubing olive (47-1) with the aid of two 6.2621.000 adjustable wrenches.

2 Replacing the filter

- Remove the old filter (47-2) with tweezers.
- Place the new filter (47-2) flat in the tubing olive (47-1) with tweezers.

3 Mounting filter screw

- Screw the filter screw (47-3) back into the tubing olive (47-1) and tighten by hand. Then additionally tighten with two 6.2621.000 adjustable wrenches.

4.13 Metrohm CO₂ Suppressor (MCS)

4.13.1 Replacing the CO₂ adsorption cartridge

The CO₂ adsorption cartridge (6.2837.000) (32-4) needs to be replaced at regular intervals, approximately every 6 months, to prevent blockage and capacity loss.

Blockage

Moisture blocks the CO₂ adsorption cartridge. This is indicated by a color change in the cartridge material (the orange part becomes colorless). As air flow is reduced, the vacuum sinks. As a protective measure, a H₂O adsorption cartridge (32-7) is installed prior to the CO₂ adsorption cartridge. A regular regeneration (*see chapter 4.13.2, page 97*) of the H₂O adsorption cartridge prolongs the service life of the CO₂ adsorption cartridge.

Capacity loss

The adsorption capacity of the CO₂ adsorption cartridge is limited. Depending on the operating time and the laboratory environment, the adsorption capacity decreases with time. This is indicated by an increasing baseline (since more CO₂ gets to the detector).

4.13.2 Regenerating the H₂O adsorption cartridge

The H₂O adsorption cartridge protects the CO₂ adsorption cartridge from moisture. The service life of the H₂O adsorption cartridge depends on the moisture content of the surrounding air. Moisture decreases the capacity of the H₂O adsorption cartridge which can be observed in the color change. Before the whole filling material changes its color (from orange to colorless, for Sigma-Aldrich art. no. 94098), the H₂O adsorption cartridge should be regenerated (*see leaflet*).

The filling material is replaced during regeneration.

Regenerating the H₂O adsorption cartridge

Proceed as follows to regenerate the H₂O adsorption cartridge:

- 1 Remove the material from the cartridge and let it dry at 140 °C over night. Then, refill the cartridge.



As an alternative, dispose of the old material and fill in new material.

- 2 Cover the packed material with cotton.

Two H₂O adsorption cartridges are provided so that you can continue to work without interruption while one of the H₂O adsorption cartridges is being regenerated.

4.14 Conductivity detector

4.14.1 Maintenance



CAUTION

The conductivity detector must not be opened!



WARNING

When rinsing the detector, the pressure must not exceed **5 MPa**. In order to ensure this, the maximum pressure of the high pressure pump must be set to **5 MPa** in MagIC Net.

If the conductivity detector is blocked, you should first of all check whether the blockage results from the capillary ends being pressed together too firmly. In this case, shorten the detector input capillary (**33-3**) or the detector output capillary (**34-2**) by several millimeters.

If this does not help, the conductivity detector can be rinsed against the normal flow direction. For this, connect the high pressure pump to the detector output capillary (**34-2**) and rinse - **the pressure may not exceed 5 MPa**.

4.15 Separation column

4.15.1 Separating efficiency

Which analysis quality can be attained, depends to a great extent on the separating efficiency of the separation column used. The separating efficiency of the selected separation column must be sufficient for the analysis problems present. If difficulties occur, you should always first check the quality of the separation column by recording a standard chromatogram.

You can find detailed information on the separation columns available from Metrohm in the leaflet provided along with your separation column, in the **Metrohm IC-Column Program** (available via your Metrohm agent) or in the Internet at <http://www.metrohm.com> in the product area Ion chromatography. You can request free information on special IC applications in the corresponding "**Application Bulletins**" or "**Application Notes**", which are available in the Internet at <http://www.metrohm.com> in the Applications area or via the Metrohm agent responsible.

4.15.2 Protection

To protect the separation column against foreign particles, which can affect the separating efficiency, we recommend that both the eluent and the samples undergo a microfiltration (filter 0.45 µm) before being aspirated via the aspiration filter (6.2821.090).

We recommend always to use a guard column (*see chapter 2.22, page 63*). This protects the separation column and considerably increases its service life. Information regarding which guard column is suitable for your separation column can be found in the **Metrohm IC Column Program** (which is available from your Metrohm agent), the leaflet provided along with your separation column, the product information on the separation column at <http://www.metrohm.com> (product area Ion Chromatography) or obtained directly from your agent.

The pulsation absorber (*see chapter 2.12, page 39*) must be installed in order to protect the column material from pressure concussion caused by injection.

4.15.3 Storage

Always store the separation columns sealed and filled according to the data of the column manufacturer when not using them.



4.15.4 Regeneration



NOTICE

The regeneration is considered as the last measure, and not to be carried out regularly.

If the separating properties of the column have deteriorated, the column can be regenerated according to the specifications of the column manufacturer. In the case of separation columns available from Metrohm, the specification for regeneration can be found on the leaflet provided along with each column.

5 Troubleshooting

5.1 Problems and their solutions

Problem	Cause	Remedy
Marked drop in pressure.	<i>Leak in the system.</i>	Check all capillary connections and seal leaks, if necessary (<i>see chapter 2.5, page 16</i>).
The baseline has a large amount of noise.	<i>High pressure pump – contaminated pump valves.</i>	Clean pump valves (<i>see chapter 4.5.2, page 74</i>).
	<i>Eluent – Leakage in eluent path.</i>	Check eluent path.
	<i>Eluent – Blockage in eluent path.</i>	Check eluent path.
	<i>High pressure pump – defective piston seals.</i>	Replace (<i>see chapter 4.5.2, page 74</i>) piston seals .
	<i>MCS – CO₂ adsorber cartridge depleted.</i>	Replace CO ₂ adsorber cartridge (<i>see chapter 4.13.1, page 97</i>).
	<i>Pulsation damper not connected.</i>	Connect the pulsation damper (<i>see Chapter 2.12, Page 39</i>).
	<i>Pulsation absorber not connected. or defective.</i>	Connect pulsation absorber (<i>see chapter 2.12, page 39</i>). or replace it.
	<i>MCS – Vacuum pump defective.</i>	Contact Metrohm Service.
The baseline is drifting.	<i>Thermal equilibrium not yet attained.</i>	Condition instrument with the column thermostat (<i>see Chapter 2.15, Page 44</i>) switched on .
	<i>Leak in the system.</i>	Check all capillary connections and seal leaks, if necessary (<i>see chapter 2.5, page 16</i>).
	<i>Eluent – Evaporation of organic solvent in eluent.</i>	<ul style="list-style-type: none"> ▪ Check the eluent bottle cap (<i>see figure 13, page 30</i>). ▪ Stir the eluent.
The pressure in the system markedly increases.	<i>Inline filter (6.2821.120) blocked.</i>	Replace the filter (6.2821.130) (<i>see chapter 4.6, page 84</i>).



Problem	Cause	Remedy
	<i>MSM – blocked.</i>	<ul style="list-style-type: none"> Regenerate the MSM (<i>see chapter 4.11.3.1, page 89</i>). <p>Note: 6.2821.180 pump tubing connection with filter must be used (29-3).</p>
	<i>Conductivity detector blocked.</i>	<ul style="list-style-type: none"> Shorten capillary ends by several mm (<i>see Chapter 4.14.1, Page 98</i>). Rinse detector against the normal flow direction (<i>see Chapter 4.14.1, Page 98</i>).
	<i>Guard column – blocked.</i>	Replace guard column (<i>see chapter 2.22, page 63</i>).
	<i>Separation column – blocked.</i>	<ul style="list-style-type: none"> Regenerate separation column (<i>see chapter 4.15.4, page 100</i>). Replace separation column (<i>see "Connecting and rinsing the separation column", page 65</i>). <p>Note: Samples should always be microfiltered (<i>see chapter 4.7, page 86</i>).</p>
	<i>Injection valve – valve blocked.</i>	Have the valve cleaned (by Metrohm service technicians).
The retention times in the chromatogram have changed unexpectedly.	<i>Separation column – diminished separating efficiency.</i>	<ul style="list-style-type: none"> Regenerate separation column (<i>see chapter 4.15.4, page 100</i>). Replace separation column (<i>see "Connecting and rinsing the separation column", page 65</i>).
	<i>Eluent – Gas bubbles in eluent.</i>	<ul style="list-style-type: none"> Check the connectors of the eluent degasser (<i>see chapter 2.9, page 32</i>). Deaerate high-pressure pump (<i>see chapter 2.10.2, page 36</i>).
	<i>High pressure pump – defective.</i>	Request Metrohm Service.
Peak areas are lower than expected.	<i>Sample – leak in the sample path.</i>	Check the sample path.
	<i>Sample – blockage in the sample path.</i>	Check the sample path.
	<i>Sample – sample loop not (completely) filled.</i>	Prolong the sample transfer time.

Problem	Cause	Remedy
	<i>Sample – gas bubbles in the sample.</i>	Use sample degasser (<i>see chapter 2.13, page 40</i>).
	<i>MCS – Not connected.</i>	Connect MCS.
The peristaltic pump is pumping too little.	<i>Peristaltic pump – contact pressure too weak.</i>	Correctly set contact pressure (<i>see "Set flow rate", page 54</i>).
	<i>Peristaltic pump – filter blocked.</i>	Replace the filter (<i>see chapter 4.12.2.2, page 96</i>).
	<i>Peristaltic pump – pump tubing defective.</i>	Replace pump tubing (<i>see chapter 4.12.2.1, page 95</i>).
Data of the separation column cannot be read.	<i>Column chip contaminated.</i>	Clean the contact surfaces of the column chip (with alcohol).
	<i>Column chip defective.</i>	<ol style="list-style-type: none"> 1. Save column configuration in MagIC Net™. 2. Notify Metrohm Service.
Individual peaks are greater than expected.	<i>Sample – carry-over of the samples from previous measurement.</i>	Rinse system longer between two samples.
MSM – No (or insufficient) pumping of regeneration or rinsing solution	<i>Leak in the system.</i>	Check connections.
	<i>Peristaltic pump – contact pressure too weak.</i>	Correctly set contact pressure (<i>see "Set flow rate", page 54</i>).
	<i>Peristaltic pump – filter blocked (see figure 29, page 52).</i>	Replace the filter (<i>see "Replacing the filter", page 96</i>).
	<i>MSM – backpressure too high.</i>	Clean the MSM (<i>see chapter 4.11.3.2, page 90</i>) or replace parts (<i>see chapter 4.11.3.3, page 93</i>).
	<i>Peristaltic pump – pump tubing defective.</i>	Replace pump tubing (<i>see figure 28, page 51</i>).
The background conductivity is too high.	<i>MSM – not connected.</i>	Connect the MSM (<i>see chapter 2.16, page 47</i>).
	<i>MCS – Not connected.</i>	Connect MCS.
	<i>Wrong eluent.</i>	Change the eluent (<i>see chapter 4.4.2.3, page 73</i>).



Problem	Cause	Remedy
	<i>MSM – regeneration or rinsing solution flow problems.</i>	Check the flow of the regeneration and rinsing solution (see chapter 2.16.2, page 47).
The retention times are poorly reproducible.	<i>Eluent – Leakage in eluent path.</i>	Check eluent path.
	<i>Eluent – Blockage in eluent path.</i>	Check eluent path.
	<i>Eluent – Gas bubbles in eluent.</i>	<ul style="list-style-type: none"> ▪ Check the connectors of the eluent degasser (see chapter 2.9, page 32). ▪ Deaerate high-pressure pump (see chapter 2.10.2, page 36).
Chromatograms have poor resolution	<i>Separation column – diminished separating efficiency.</i>	<ul style="list-style-type: none"> ▪ Regenerate separation column (see chapter 4.15.4, page 100). ▪ Replace separation column (see "Connecting and rinsing the separation column", page 65).
Conductivity detector is not recognized in the software	<i>No connection.</i>	<ul style="list-style-type: none"> ▪ Check the cable connection (34-1). ▪ Turn the instrument off and on again (after 15 seconds).
Extreme spread of the peaks in the chromatogram. Splitting (dual peaks)	<i>Capillary connections – dead volume in the system.</i>	Check connections (see chapter 2.5, page 16) (use PEEK capillaries with an internal diameter of 0.25 mm between the injection valve and detector).
	<i>Guard column – diminished performance.</i>	<ul style="list-style-type: none"> ▪ Replace guard column (see chapter 2.22, page 63).
	<i>Separation column – dead volume at column head.</i>	<ul style="list-style-type: none"> ▪ Install the separation column in reverse flow direction (if permitted by the leaflet) and rinse into a beaker. ▪ Replace separation column (see "Connecting and rinsing the separation column", page 65).
Greater rise in the baseline	<i>MSM – reduced capacity.</i>	Regenerate the MSM (see chapter 4.11.3.1, page 89).
Precision problems - the measured values are highly scattered.	<i>Sample – gas bubbles in the sample.</i>	Use sample degasser (see chapter 2.13, page 40).

Problem	Cause	Remedy
	<i>Injection valve – sample loop.</i>	Check installation of the sample loop (see chapter 2.14.1, page 42).
	<i>Sample – rinsing volume too low.</i>	Increase rinsing time (see chapter 4.8, page 86).
	<i>Injection valve – defective.</i>	Request Metrohm Service.
	<i>MCS – Vacuum too low.</i>	<ul style="list-style-type: none"> ▪ Check connections. If they are OK: ▪ Contact Metrohm Service.
Vacuum is not being built	<i>Eluent degasser – Vacuum connector on the rear of the instrument not (tightly) sealed.</i>	<ul style="list-style-type: none"> ▪ Seal the Vacuum connector tightly with a threaded stopper (6.1446.040).



6 Technical specifications

6.1 Reference conditions

The technical specifications listed in this chapter refers to the following reference conditions:

<i>Ambient temperature</i>	+25 °C (±3 °C)
<i>Instrument status</i>	> 40 minutes in operation (equilibrated)

6.2 Device

<i>IC system</i>	<ul style="list-style-type: none"> ▪ Metal-free IC system ▪ Compact system with modular design ▪ Up to two complete chromatographic systems in one housing
<i>Material</i>	Painted polyurethane hard foam without CFCs, fire class V0
<i>Operating pressure range</i>	<ul style="list-style-type: none"> ▪ 0...50 MPa (500 bar) high pressure pump ▪ 0...35 MPa (350 bar) standard-PEEK system
<i>Intelligent components</i>	iPump, iDetector, iColumn, MagIC Net

6.3 Leak sensor

<i>Type</i>	Electronic, no calibration necessary
-------------	--------------------------------------

6.4 Ambient conditions

<i>Operation</i>	
<i>Ambient temperature</i>	+5...+45 °C
<i>Humidity</i>	20...80 % relative humidity
<i>Storage</i>	
<i>Ambient temperature</i>	-20...+70 °C
<i>Transport</i>	
<i>Ambient temperature</i>	-40...+70 °C

6.5 Housing

Dimensions

<i>Width</i>	365 mm
<i>Height</i>	642 mm
<i>Depth</i>	380 mm

Material of base tray, housing and flask holder Polyurethane hard foam (PUR) with flame retardation for fire class V0, CFC-free, painted

Operating elements

<i>Indicators</i>	LED for power display
<i>On/Off switch</i>	On the rear of the instrument

6.6 Eluent degasser

<i>Material</i>	Fluoropolymer
<i>Resistance to solvents</i>	No restriction (except PFC)
<i>Time to establish vacuum</i>	< 60 s

6.7 High pressure pump

<i>Type</i>	<ul style="list-style-type: none"> ▪ Serial dual-piston pump ▪ Intelligent pump head recognition ▪ Chemically inert ▪ Metal-free pump heads ▪ Materials in contact with the eluent: PEEK, ZrO₂, PTFE/PE ▪ Self-optimizing flow and pressure
-------------	--------------------------------------------------------------------------------------------------------------------------------------------------------------------------------------------------------------------------------------------------------------------------------------------------------------------

Flow rate

<i>Adjustable flow range</i>	0.001...20.0 mL/min
<i>Flow increment</i>	1 µL/min
<i>Reproducibility of the eluent flow</i>	< 0.1 % deviation

*Pressure range*

<i>Pump</i>	0...50.0 MPa (0...500 bar)
<i>Pump head</i>	0...35.0 MPa (0...350 bar) (applies for the standard PEEK pump head)
<i>Residual pulsation</i>	< 1 %

Safety shutdown

<i>Function</i>	Automatic shutdown upon reaching the pressure limit values
<i>Maximum pressure limit</i>	<ul style="list-style-type: none"> ▪ Adjustable from 0.1...50 MPa (1...500 bar) ▪ The pump is automatically shut down at the first piston stroke above the maximum limit value
<i>Minimum pressure limit</i>	<ul style="list-style-type: none"> ▪ Adjustable from 0...49 MPa (0...490 bar) ▪ The shutdown mechanism is inactive at 0 MPa ▪ The shutdown mechanism only becomes active 2 minutes after system start ▪ The pump is automatically shut down after 3 piston strokes below the minimum pressure limit

Gradient capacity

Isocratic or gradient (extendable to quaternary)

Profile

Step, linear, convex and concave

Resolution

< 1 nL/min flow increments

6.8 Sample degasser

<i>Material</i>	Fluoropolymer
<i>Resistance to solvents</i>	No restriction (except PFC)
<i>Time to establish vacuum</i>	< 60 s

6.9 Injection valve

<i>Actuator time</i>	typ. 100 ms
<i>Max. operating pressure</i>	35 MPa (350 bar)
<i>Material</i>	PEEK

6.10 Column thermostat

<i>Type</i>	Peltier technique thermostat for two intelligent separation columns
<i>Adjustable temperature range</i>	0...+ 80 °C, in increments of 0.1 °C
<i>Heating</i>	Ambient temperature +50 °C
<i>Cooling</i>	Ambient temperature –20 °C
<i>Temperature reproducibility</i>	± 0.2 °C
<i>Stability</i>	< 0.05 °C
<i>Heating up time</i>	< 30 minutes from 20 to 50 °C
<i>Cooling time</i>	< 40 minutes from 50 to 20 °C

6.11 Metrohm Suppressor Module (MSM)

<i>Resistance to solvents</i>	No restriction
<i>Switching duration</i>	typ. 100 ms
<i>Operating pressure</i>	2.5 MPa (25 bar), valve function prevents damage at overpressure

6.12 Peristaltic pump

<i>Type</i>	2-channel peristaltic pump
<i>Rotating direction</i>	Counterclockwise/Clockwise rotation
<i>Rotational speed</i>	0...42 rpm in 7 stages at 6 rpm.
<i>Pumping properties</i>	0.3 mL/min at 18 rpm; with 6.1826.320 standard pump tubing.
<i>Material of pump tubings</i>	recommended: Tygon Long Flex Life



6.13 Metrohm CO₂ Suppressor (MCS)

<i>Material</i>	Fluoropolymer
<i>Resistance to solvents</i>	No restriction (except PFC)
<i>Vacuum</i>	
<i>Working range</i>	Microprocessor-controlled/stabilized
<i>Time to establish after starting</i>	< 30 s
<i>Capillary volume</i>	400 µL
<i>Recommended flow range</i>	0.1 - 1.0 mL

6.14 Conductivity measuring system

<i>Type</i>	<ul style="list-style-type: none"> ▪ Microprocessor-controlled Digital Signal Processing (DSP technology) ▪ Intelligent detector with 6 reference chromatograms
<i>Measuring range</i>	0...15000 µS/cm single range
<i>Noise</i>	< 0.1 nS at 1 µS/cm
<i>Deviations from the linearity</i>	< 1 % for conductivity values greater than 1...16 µS/cm (typical for analyses with sequential suppression)
<i>Drift</i>	< 0.2 nS/cm per hour
<i>Measuring rate</i>	10 measurements per second for optimum results without filtering
<i>Resolution</i>	0.0047 nS/cm
<i>Baseline</i>	Noise < 0.2 nS/cm typical for sequential suppression
<i>Conductivity detector</i>	
<i>Cell volume</i>	0.8 µL
<i>Cell constant</i>	<ul style="list-style-type: none"> ▪ Individual calibration data saved in the detector ▪ adjustable range: 13.0...21.0 /cm
<i>Electrodes</i>	Ring-shaped electrodes made from stainless steel
<i>Materials in contact with eluent</i>	Chemically inert PCTFE

<i>Maximum operating pressure</i>	5.0 MPa (50 bar)
<i>Cell temperature</i>	20...50 °C in increments of 5 °C
<i>Temperature stability</i>	< 0.001 °C
<i>Temperature compensation</i>	0...5 %/K adjustable, default 2.3 %/K
<i>Heating up time</i>	< 30 minutes (40 °C)

6.15 Power connection

<i>Required supply voltage</i>	100 - 240 V ± 10% (autosensing)
<i>Required frequency</i>	50 - 60 Hz ± 3 Hz (autosensing)
<i>Power consumption</i>	<ul style="list-style-type: none"> ▪ 65 W for typical analysis application ▪ 25 W standby (conductivity detector to 40 °C)
<i>Power supply unit</i>	<ul style="list-style-type: none"> ▪ Up to 300 W maximum, electronically monitored ▪ Internal fuse 3.15 A

6.16 Interfaces

USB

<i>Entry</i>	1 USB upstream, type B (for connection to the PC)
<i>Exit</i>	2 USB downstream, type A

MSB 2 MSB 8-pin Mini DIN (female) (for Dosino, stirrer, remote lines, etc.)



CAUTION

When connecting an instrument to the MSB connector you **must** switch off the 850 Professional IC.

<i>Detector</i>	2 15-pin high-density DSUB (female)
<i>Column recognition</i>	3 (including 2 in the column thermostat (<i>see chapter 2.15, page 44</i>))
<i>Leak sensor</i>	1 jack plug
<i>Further connections</i>	<ul style="list-style-type: none"> ▪ 1 15-pin DSUB (female)



6.17 Weight

1.850.2110	30.3 kg (without accessories)
1.850.9010 (<i>con-</i> <i>ductivity detector</i>)	2.3 kg (with accessories)
<i>Transport carriage</i> <i>(rollers and han-</i> <i>dle)</i>	1.8 kg

7 Accessories

Up-to-date information on the scope of delivery and optional accessories for your product can be found on the Internet. You can download this information using the article number as follows:

Downloading the accessories list

- 1 Enter <https://www.metrohm.com/> into your Internet browser.
- 2 Enter the article number (e.g. **2.850.2110**) into the search field.
The search result is displayed.
- 3 Click on the product.
Detailed information regarding the product is shown on various tabs.
- 4 On the **Included parts** tab, click on **Download the PDF**.
The PDF file with the accessories data is created.



NOTICE

Once you have received your new product, we recommend downloading the accessories list from the Internet, printing it out and keeping it together with the manual for reference purposes.



Index

(6.2821.130) Filter 84
6.2821.090 aspiration filter 73

A

Adsorption cartridges
 Connection 56
Ambient conditions 106
Aspiration filter 6.2821.090 73
Aspiration tubing for eluent 28

B

Baseline
 Conditioning 69
 Unstable 74
Blockage
 Conductivity detector 98
Blood 86

C

Cable feed-throughs 25
Capillaries
 Installation 16
Capillary feed-throughs 25
Carry-over 86
Cartridges
 Connection 56
Cleaning
 MSM 91
 Valves of the high pressure
 pump 79
CO₂ adsorption cartridge 57
 Replace 97
Column
 see also "Separation column"
 64
Column recognition 111
Column thermostat
 Column thermostat 109
 Installation 44
Computer connection 61
Conditioning 69
Conductivity detector
 Capillary connector 59
 Cell constant 110
 Cell volume 110
 Maintenance 98
Conductivity measuring system
 Technical data 110
Connect
 Power grid 62

 To computer 61
Connection
 Mains 111
Connections
 Installation 16
Contamination
 High pressure pump 73
 Valves in the high pressure
 pump 74
Contamination MSM
 Heavy metals 89
Crystallization
 High pressure pump 73

D

Deaerating
 High pressure pump 36
 Purge valve 34
Degasser
 Eluent degasser 32
 Sample degasser 40
Degassing
 Eluent 32
Detector
 Cable connector 22
 Conductivity detector 59
 Interface 111
 Positioning 22
Diagram 10
Dialysis 10
Dilution 86
Dimensions 107
Door 72
Drainage tubings
 Installation 23

E

Electrostatic charge 7
Eluent
 Aspirate 28
 Change 73
 Production 72
Eluent bottle
 Figure 31
 Installation 28
 Operation 73
Eluent degasser
 Installation 32
 Technical specifications 107

Equilibration 67, 69

F

Feed-throughs
 Capillaries 25
Fill
 Injection valve 44
Filter
 see also "inline filter" 38
Filter (6.2821.130) 84
Filter 6.2821.090
 Aspiration filter 73
Flow diagram 10
Flow fluctuations 74
Flow increment 107
Flow range 107
Flow rate 107
Frequency 111

G

Gas 32, 40
Guard column
 Installation 63
 Rinsing 64

H

H₂O adsorption cartridge 57
 Regenerate 97
Handle 19
Heating
 see also "Column thermostat"
 44
Heavy metals
 Contamination of the MSM 89
High pressure pump
 Installation 34
 Maintenance 73
 Protection 22, 73
 Technical specifications 107
 Tubing connection 34
 Valves 82
Housing 107
Humidity 106

I

IC column
 see also "Separation column"
 64
Impurity MSM
 Organic 89

- Initial installation 9
- Inject
- Injection valve 44
- Injection valve 3
- Fill 44
 - Inject 44
 - Installation 42, 108
 - Maintenance 88
 - Protection 88
- Inline filter 38
- Inline sample preparation 86
- Installation
- Column thermostat 44
 - Conductivity detector 59
 - Connections 16
 - Drainage tubings 23
 - Eluent bottle 28
 - Eluent degasser 32
 - Guard column 63
 - High pressure pump 34
 - Initial installation 9
 - Injection valve 42, 108
 - Leak sensor 22
 - MCS 55
 - MSM 47
 - Peristaltic pump 51
 - Pulsation absorber 39
 - Pump tubings 51
 - Sample degasser 40
 - Separation column 64
- Interface
- MSB 111
 - USB 111
- Interfaces 111
- Further connections 111
 - Leak sensor 111
- L**
-
- Leak 74
- Leak sensor
- Installation 22
 - Interface 111
 - Technical specifications 106
- Leak-tightness 68, 69
- Leaking piston seals 74
- Loop
- see also "Sample loop" 44
- M**
-
- Maintenance
- Conductivity detector 98
 - High pressure pump 73
 - Injection valve 88
 - MSM 88
- Peristaltic pump 94
- Pump head 74
- Material 107
- MCS
- Capillary connection 55
 - Cartridge connection 56
 - Installation 55
 - Technical specifications 110
 - Use 55
- Measuring range 110
- MPak
- Holder 21
- MSB 111
- MSM
- Cleaning 91
 - Installation 47
 - Maintenance 88
 - Operation 88
 - Protection 88
 - Regeneration 89
 - Replacing parts 93
 - Switchover 89
 - Technical data 109
- N**
-
- Noise 110
- O**
-
- Oil 86
- Operation
- MSM 88
 - Peristaltic pump 94
 - Sample degasser 88
- Organic impurities
- MSM 89
- P**
-
- Peristaltic pump
- Installation 51
 - Maintenance 94
 - Operation 94
 - Principle 50
 - Technical specifications 109
- Piston seal 74
- Pistons of the high pressure pump 74
- Power connection 62, 111
- Power consumption 111
- Power supply unit 111
- Precipitates 73
- Pressure limit 108
- Pressure range 108
- Pressure screws
- Connection 17
- Protection
- Injection valve 88
 - Inline filter 38
 - MSM 88
- Pulsation 74
- Pulsation absorber
- Installation 39
- Pump head
- Maintenance 74
- Pump tubings
- Installing 51
 - Overview 95
 - Service life 94
- Purge valve 34
- R**
-
- Reference conditions 106
- Regeneration 70
- MSM 89
- Rinsing
- Conductivity detector 98
 - Guard column 64
 - Pump tubings 95
 - Sample path 86
 - Separation column 66
- Rinsing time 87
- Rise in pressure 73
- Rollers 19
- S**
-
- Safety instructions 6
- Safety shutdown 108
- Sample
- Carry-over 86
 - Sample loop 44
 - Transfer time 87
- Sample degasser
- Installation 40
 - Operation 88
 - Technical specifications 108
- Sample loop 44
- Sample path
- Rinsing 86
- Sample preparation 86
- Screws
- Connection 17
- Separation column
- Installation 64
 - Protection 3, 39, 99
 - Regeneration 100
 - Rinsing 66
 - Separating efficiency 99
 - Storage 99
- Service 6, 70

Index

- Shutting down 71
Start-up 67
Storage 106
Supply voltage 7, 111
Suppressor
 Maintenance 88
 Operation 88
 see also "MSM" 47
- T**
-
- Technical data
 Column thermostat 109
 Conductivity measuring system
 110
 MSM 109
Technical specifications
 Detector 111
- Eluent degasser 107
High pressure pump 107
Interfaces 111
Leak sensor 106
MCS 110
Peristaltic pump 109
Reference conditions 106
Sample degasser 108
Temperature 106
Thermostat
 see also "Column thermostat"
 44
Transfer time 87
Transport 106
 Rollers 19
Transport locking screws 22
- Tubing 10
Tubing pump
 See also "Peristaltic pump" . 50
Tubings
 Installation 16
- U**
-
- Ultrafiltration 13
USB 111
- V**
-
- Vacuum pump
 Protection 22
Valve
 see also "Injection valve" 42
Valves of the high pressure pump
 82