

727 Ti Stand

Series 01+



 **Metrohm**
Ion analysis

METROHM Ltd.
CH-9101 Herisau

Switzerland
Phone 071/53 85 85
Fax 071/53 89 01
Telex 882 712 metr ch

Ti Stand

727

Series 01 ...

Contents

1. Setting up and fitting out	1
1.1 Setting up	1
1.2 Cable connections	1
1.3 Equipping the electrode holder	2
1.4 Fitting out Ti Stand	3
2. Working with the 727 Ti Stand	3
3. Technical specifications and warranty	4
3.1 Technical specifications	4
3.2 Warranty	5
4. Standard equipment and accessories	6
4.1 Standard equipment and accessories for 727 Ti Stand	6
4.2 Standard equipment for 727 Ti Stand with built-in magnetic stirrer	7

1. Setting up and fitting out

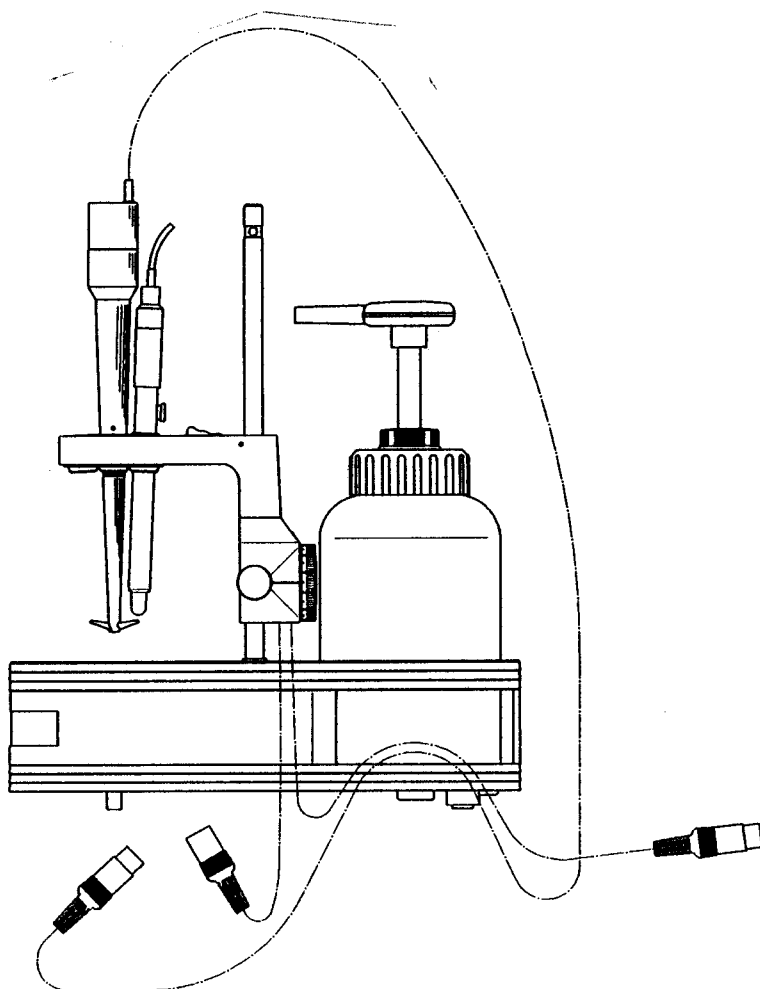
1.1 Setting up

Proceed as follows:

1. Screw the 6.2016.050 Stand Rod to the Ti Stand.
2. Fasten the 6.2137.000 Controller to the stand rod. Pull the two cables of the controller through the feedthrough of the Ti Stand (middle opening).
3. If you wish to use the outlet of the Ti Stand: Remove the cover of the outlet (the best method is to push a small screwdriver through from below). Attach the 6.1801.050 Tubing to the tubing fitting in the hollow space in the base of the Ti Stand. The tubing should not be too long and must be routed flat. The other end of the tubing is led to a waste container or drain. It must be lower than the Ti Stand and may not be immersed in liquid.

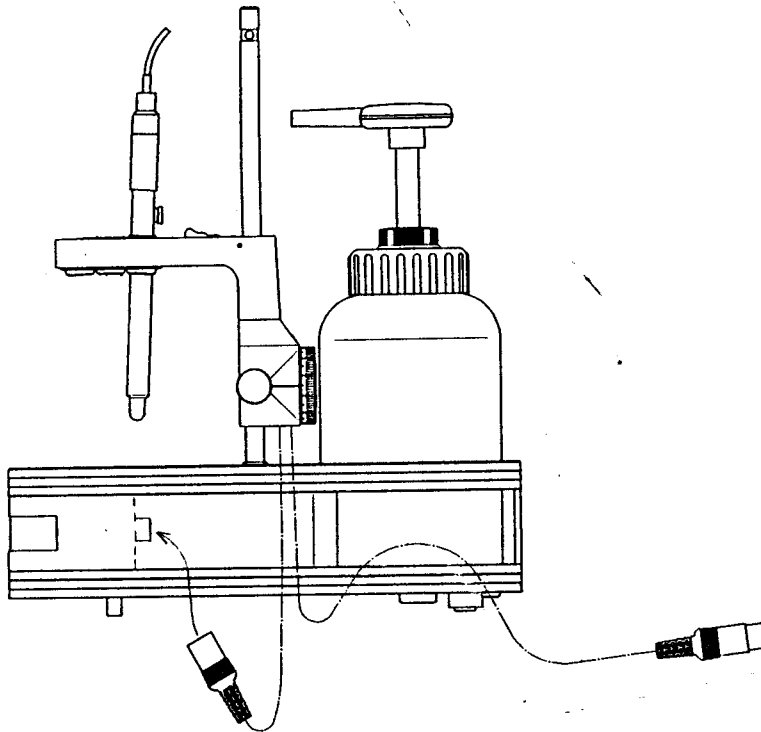
1.2 Cable connections

For work with the 722 Rod Stirrer:



1. Pull the longer cable of the 6.2137.000 Controller over the bar of the Ti Stand.
2. Likewise pull the cable of the stirrer over the bar and connect it to the shorter cable of the controller.
3. Fasten the connected plugs in the clamp in the hollow space of the Ti Stand.
4. Lead the longer cable of the 6.2137.000 Controller to the power supply (socket "∞" of Titrino or Dosimat or to the mains adapter).

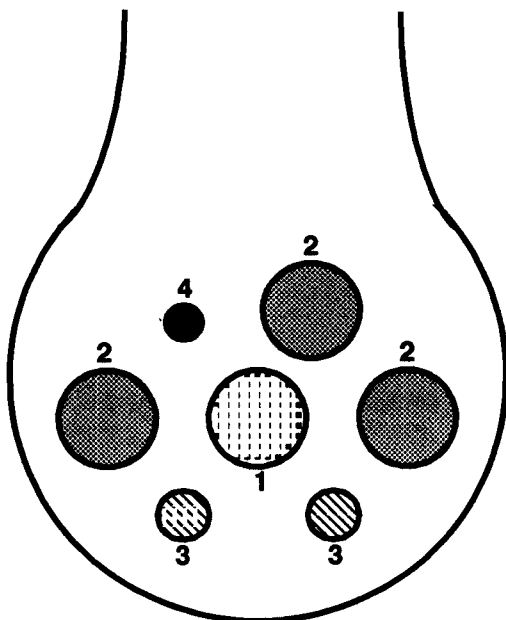
Cable connections for work with the Ti Stand with built-in magnetic stirrer:



1. Pull the longer cable end of the 6.2137.000 Controller over the bar of the Ti Stand.
2. Connect the shorter cable end of the Controller to the connector of the Ti Stand.
3. Lead the longer cable end of the 6.2137.000 Controller to the power supply (socket "∞" of Titrimo or Dosimat or to the mains adapter).

1.3 Equipping the electrode holder

Fasten electrode holder to the stand rod and equip. For efficient rinsing, **all openings must be occupied.**



- 1 **722 Rod Stirrer**
If no rod stirrer is used, this opening can be used like opening 2.
- 2 **Electrodes with SGJ 14/15**
or with 6.1236.020 or 6.1236.040 SGJ Sleeve.
or
burette tips in 6.1446.030 Ball Stopper
or
6.1446.130 Stoppers
or other inserts with SGJ 14/15.
- 3 **Burette tips** in 6.2709.070 Guide Sleeve
or
6.1446.120 Stoppers
or other inserts with \varnothing 6.5 mm which fit in the 6.2709.070 Guide Sleeve.
- 4 **Screw in 6.1808.050 Tubing Connector** and tighten firmly with 6.2739.000 Wrench.

1.4 Fitting out Ti Stand

Ready the Ti Stand for operation:

1. Cut off a ca. 18 cm length of tubing from the 6.1816.000 Silicone Tubing.
2. Fasten one end of the tubing to the tubing connector of the electrode holder and the other end to the tubing fitting of the 6.2746.000 Rinsing Pump.
3. Fasten each tubing length with a 6.2053.000 Clamp.
4. Fill the 6.1608.040 Rinsing Bottle with dist. water (or another rinsing liquid) and screw the rinsing pump to the bottle.
If you use a rinsing bottle other than that supplied, it may be necessary to remove the retaining clip of the bottle holder (unscrew the two screws beneath the rinsing bottle for this).
5. Fasten the stirrer and electrode cables with the 6.2053.000 Clamps.
6. Electrodes can be stored in the 6.1228.000 Holder in the openings of the Ti Stand on both sides of the rinsing bottle.

2. Working with the 727 Ti Stand

A few tips for working with the 727 Ti Stand follow:

- For thorough rinsing of the inserts, the lever of the rinsing pump should be pressed firmly 2 to 3 times.
- If you unscrew the rinsing pump from the bottle, a drip vessel should be placed on the stand as rinsing liquid can drip down.
- Do not use excessive force when pressing stoppers and inserts into the electrode holder. The small 6.1446.120 Stoppers can be removed from the electrode holder with the 6.2739.000 Wrench.

3. Technical specifications and warranty

3.1 Technical specifications

Capacity

dist. water per stroke ca. 10 ml

Stirrer speed

measured in 30 mL H₂O with 1 electrode ca. 440...2800 rpm for 722 Rod Stirrer
ca. 450...2400 rpm for magnetic stirrer

Power supply for stirrer

7...12 V DC/ 0.2 A

Power consumption of stirrer

ca. 3 VA

Materials

Housing	polyurethane (CFC-free, not flammable according to UL94VO standard)
Electrode holder	PP
Rinsing pump	PP
Rinsing tubing	silicone rubber
Rinsing bottle	PE
Tubing connector	PVDF
Stopper (O-ring)	PP (nitrile rubber)

Dimensions

Width	ca. 12 cm
Height with stand rod	ca. 40 cm
Depth	ca. 30 cm

Weight incl. standard accessories

Ti Stand	ca. 1.2 kg
Ti Stand with magnetic stirrer	ca. 1.2 kg

3.2 Warranty

The warranty regarding our products is limited to rectification free of charge in our workshops of defects that can be proved to be due to material, design or manufacturing faults which appear within 12 months from the day of delivery. Transport costs are chargeable to the orderer.

For day and night operation, the warranty is valid for 6 months.

Glass breakage in the case of electrodes or other glass parts is not covered by the warranty. Checks which are not a result of material or manufacturing faults are also charged during the warranty period. For parts of outside manufacture insofar as these constitute an appreciable part of our instrument, the warranty stipulations of the manufacturer in question apply.

With regard to the guarantee of accuracy, the technical specifications in the Instructions for Use are authoritative.

Concerning defects in material, construction or design as well as the absence of guaranteed features, the orderer has no rights or claims except those mentioned above.

If damage of the packaging is evident on receipt of a consignment or if the goods show signs of transport damage after unpacking, the carrier must be informed immediately and a written damage report demanded. Lack of an official damage report releases METROHM from any liability to pay compensation.

If any instruments and parts have to be returned, the original packaging should be used if at all possible. This applies above all to instruments, electrodes, burette cylinders and PTFE pistons. Before embedment in wood shavings or similar material, the parts must be packed in a dustproof package (for instruments, use of a plastic bag is imperative). If open assemblies are enclosed in the scope of delivery that are sensitive to electromagnetic voltages (e.g. data interfaces etc.) these must be returned in the associated original protective packaging (e.g. conductive protective bag). (Exception: assemblies with built-in voltage source belong in a non-conductive protective packaging). For damage which arises as a result of non-compliance with these instructions, no warranty responsibility whatsoever will be accepted by METROHM.

4. Standard equipment and accessories

4.1 Standard equipment and accessories for 727 Ti Stand

727 Ti Stand **2.727.0010**
including the following accessories:

2 Stoppers S9	6.1446.120
4 Stoppers NS14/15	6.1446.130
1 Rinsing bottle	6.1608.040
1 PVC tubing, 2m	6.1801.050
1 Tubing connection	6.1808.050
1 Silicone tubing, 0.5 m	6.1816.000
1 Stand rod, 30 cm	6.2016.050
1 Electrode holder	6.2021.030
1 Set of clamps, 10 pieces	6.2053.000
2 Guide sleeves for burette tips	6.2709.070
1 Wrench for tightening tubing connection	6.2739.000
1 Rinsing pump	6.2746.000
1 Instructions for use	8.727.1003

727 Ti Stand **2.727.0011**
Accessories as for 2.727.0010, but in addition:
1 Mains adapter 110 V/9V DC, USA... 6.2119.020

727 Ti Stand **2.727.0014**
Accessories as for 2.727.0010, but in addition:
1 Mains adapter 220 V/9V DC, Europe... 6.2117.020

Options:

722 Rod Stirrer	2.722.0010
Stirrer propeller	6.1909.010
Controller for stirrer	6.2137.000

4.2 Standard equipment or 727 Ti Stand with magnetic stirrer

727 Ti Stand with magnetic stirrer	2.727.0100
including the following accessories:	
2 Stoppers S9	6.1446.120
4 Stoppers NS14/15	6.1446.130
1 Rinsing bottle	6.1608.040
1 PVC tubing, 2m	6.1801.050
1 Tubing connection, olive with valve	6.1808.080
1 Silicone tubing, 0.5 m	6.1816.000
1 Magnetic stirring bar, 16mm	6.1903.020
1 Magnetic stirring bar, 25mm	6.1903.030
1 Stand rod, 30 cm	6.2016.050
1 Electrode holder	6.2021.030
1 Set of clamps, 10 pieces	6.2053.000
1 Controller for stirrer	6.2137.000
2 Guide sleeves for burette tips	6.2709.070
1 Wrench for tightening tubing connection	6.2739.000
1 Rinsing pump	6.2746.000
1 Instructions for use	8.727.1001
727 Ti Stand with magnetic stirrer	2.727.0101
Accessories as for 2.727.0100, but in addition:	
1 Mains adapter 110 V/9V DC, USA...	6.2119.020
727 Ti Stand with magnetic stirrer	2.727.0104
Accessories as for 2.727.0100, but in addition	
1 Mains adapter 220 V/9V DC, Europe...	6.2117.020



EC Declaration of Conformity

The METROHM AG company, Herisau, Switzerland hereby certifies, that the instrument:

727 Ti Stand

meets the requirements of EC Directives 89/336/EWG and 73/23/EWG.

Source of the specifications:

EN 50082-1 Electromagnetic compatibility, basic specification
Interference Immunity

Description of the instrument:

Titration Stand with manual rinsing unit.

Herisau, December 6, 1995

Dr. J. Frank

Development Manager

Ch. Buchmann

Production and
Quality Assurance Manager