

1 Correct installation of aspiration filter (6.2821.090)

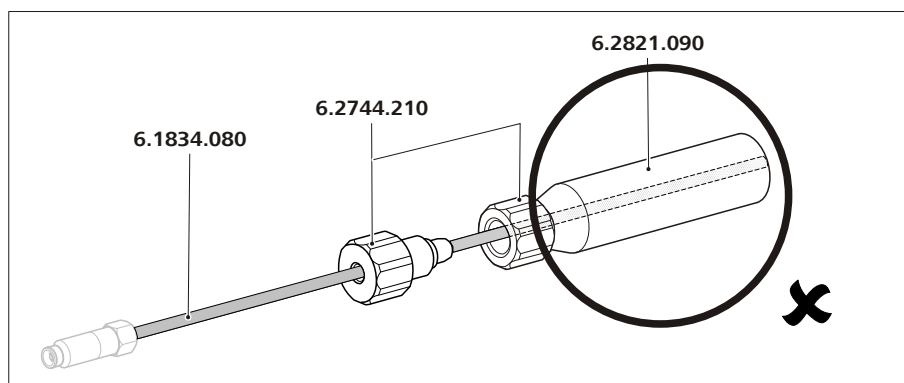
Problem

If the aspiration filter (6.2821.090) is installed according to the instructions in chapter "Installation" ▶ "Eluent" ▶ "Connecting the eluent bottle", disturbances in the baseline may occur in some cases (especially with cation applications).

Incorrect description

See chapter "Connecting the eluent bottle" ▶ instruction "Assembling the eluent aspiration tubing" ▶ step 4:

- ...
- ...
- ... The end of the tubing **must touch the base of the filter.** X
- ...

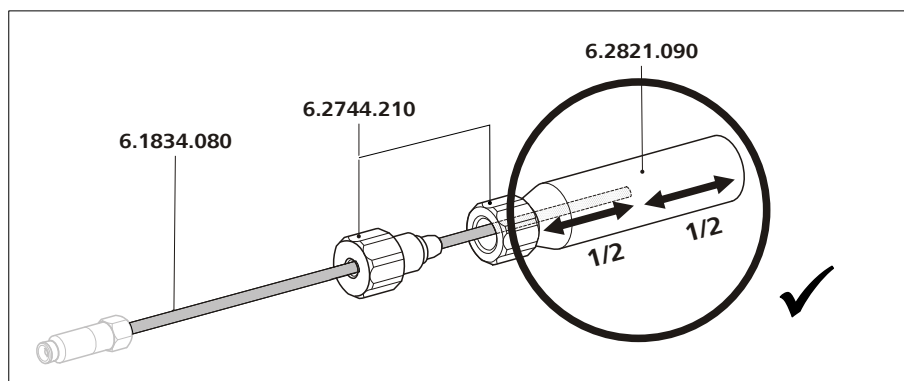


Incorrect installation

Correct description

See chapter "Connecting the eluent bottle" ▶ instruction "Assembling the eluent aspiration tubing" ▶ step 4:

- ...
- ...
- ... The end of the tubing **should approximately reach to the center of the aspiration filter.** ✓
- ...



Correct installation

In order to ensure that the eluent can be aspirated completely without aspirating air, the eluent aspiration filter must **lie flat on the bottom** of the eluent bottle.